

Keywords: LED, backlight, keypad, display, switch mode

APPLICATION NOTE 1871

Single FET Controls 2nd LED Array in Switch-Mode LED Backlight

 By: Len Sherman
 Feb 03, 2003

Abstract: WLED backlights are common in PDAs, cell phones, digital cameras, and other portable devices. This application note describes a switch-mode boost design in which the display is backlit for extended periods of time. Its conversion efficiency provides a power-saving advantage over resistor-limited and linearly regulated designs.

A similar version of this article appeared in the April 12, 2001 issue of *EDN* magazine.

White-LED backlights are gaining acceptance because they offer higher reliability and simpler drive circuitry than those based on CCFL and EL technology. As a result, the white-LED backlight is increasingly common in PDAs, cell-phones, digital cameras, and other portable devices.

A design in which the display is backlit (or frontlit) for extended periods needs an efficient circuit that drives the LEDs with a controlled current, and eliminates the wasted power associated with current-limiting resistors. A switch-mode boost design that regulates current instead of voltage accomplishes this purpose (**Figure 1**).

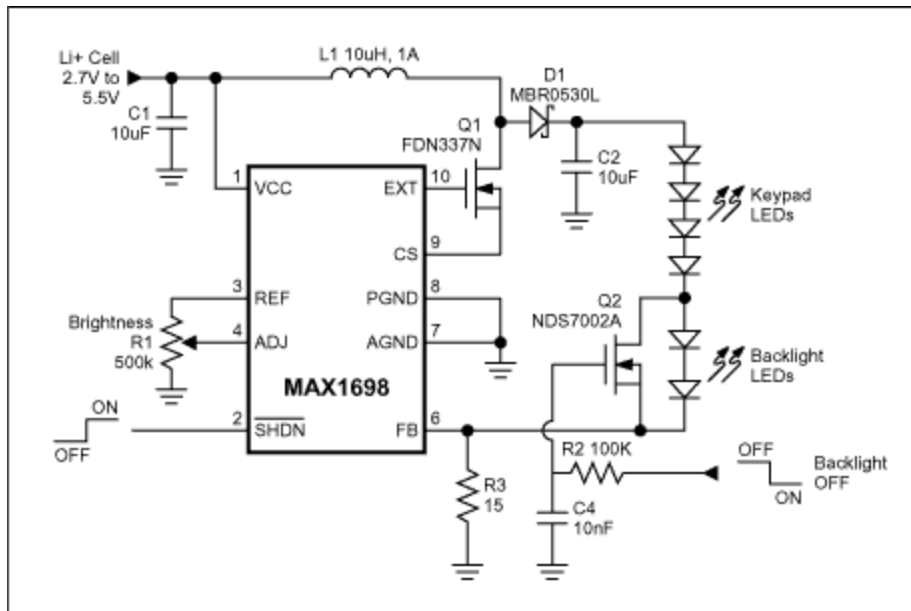


Figure 1. When this circuit turns off the backlight LEDs, the keypad LEDs remain on with no change in intensity.

Because all LEDs are connected in series, they all receive the same current without need for ballasting resistors. Identical currents help achieve uniform intensity. And because the output current is small (20mA in this case), the output filter capacitance (C2) can be smaller than for a load consisting of parallel-connected LEDs. The Figure 1 circuit's conversion efficiency (90%) provides a distinct power-saving advantage over resistor-limited and linearly regulated designs.

It might appear that a series-LED connection is not suitable for applications in which some (but not all) LEDs must be turned off. That capability is sometimes needed in a cell phone for which the display is off but the keypad remains lit, or in a handheld PDA that needs to play a sound file while maintaining illumination in the buttons but not the display. Actually, switching off individual LEDs or groups of LEDs is not a problem, even when all are driven in series.

Applying a logic-high level to the gate of a simple MOSFET switch (Q2) turns off a subset of LEDs (backlight LEDs in this case) by shunting their current. The remaining (keypad) LEDs remain on, and their intensity remains constant because their current is regulated by IC1, which senses the voltage across R2 (300mV at full brightness). When turning the LEDs on and off, an RC network at the gate of Q1 (R2,C4) slows the load changes sufficiently to prevent transient changes in the LED drive current. Other features include adjustable intensity via the ADJ pin, and full shutdown via the SHDN-bar logic input.

Related Parts

[MAX1698](#)

High-Efficiency Step-Up Current Regulator for LEDs

[Free Samples](#)

More Information

For Technical Support: <http://www.maximintegrated.com/support>

For Samples: <http://www.maximintegrated.com/samples>

Other Questions and Comments: <http://www.maximintegrated.com/contact>

Application Note 1871: <http://www.maximintegrated.com/an1871>

APPLICATION NOTE 1871, AN1871, AN 1871, APP1871, Appnote1871, Appnote 1871

Copyright © by Maxim Integrated Products

Additional Legal Notices: <http://www.maximintegrated.com/legal>