

# CGA6M4X7R2J473K200AE

TDK Item Description : CGA6M4X7R2J473KT\*\*\*S



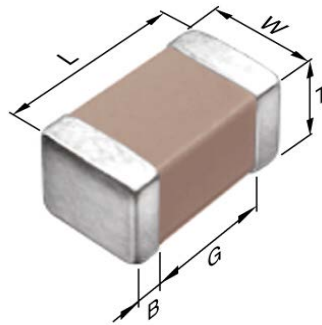
Equivalent C3225X7R2J473K for Automotive

## Application & Main Feature

Automotive Grade ( Soft Termination )

## Series

CGA6(3225) [EIA CC1210]



## Dimensions

L	3.20mm +0.5,-0.4mm
W	2.50mm +/-0.3mm
T	2.00mm +0.3,-0.2mm
B	0.20mm Min.
G	

## Temperature Characteristic

X7R (-55 to 125 degC +/-15%)

## Rated Voltage

2J (630Vdc)

## Capacitance

47nF

## Capacitance Tolerance

K (+/-10%)

## Dissipation Factor

3% Max.

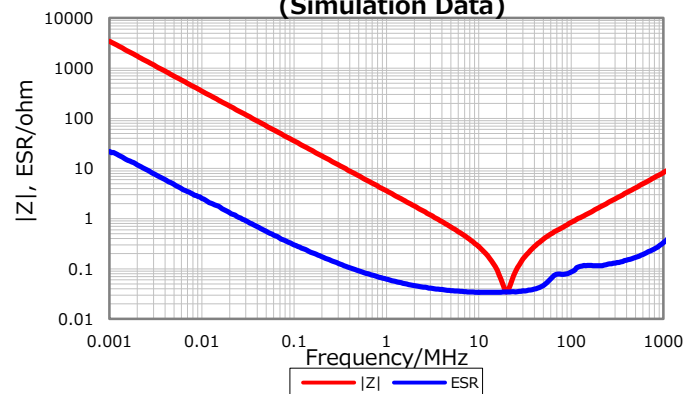
## Insulation Resistance

10Gohm Min

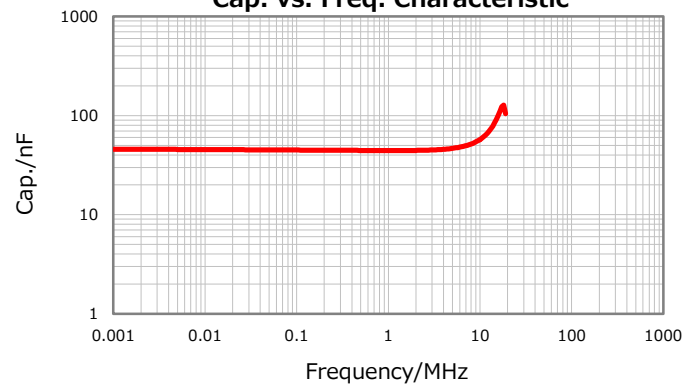
## AEC-Q200

Yes

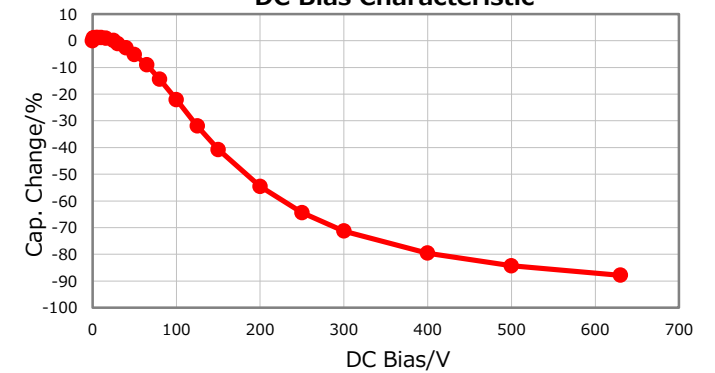
## |Z|, ESR vs. Freq. Characteristics (Simulation Data)



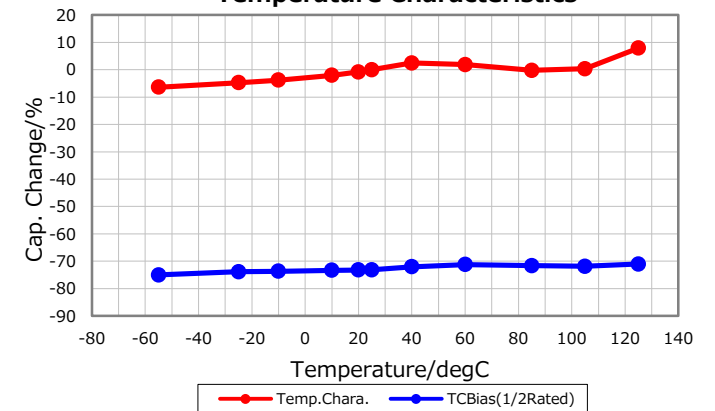
## Cap. vs. Freq. Characteristic



## DC Bias Characteristic



## Temperature Characteristics



## Ripple Temperature Rise Characteristics

