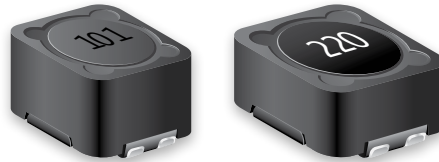




PRODUCT CHANGE NOTIFICATION

MAGNETICS





Bourns® Model SRF1260 and SRF1280 Series Dual-Winding Shielded Power Inductors *Implementation of Multiple Changes*

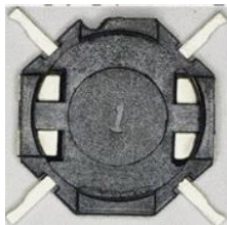
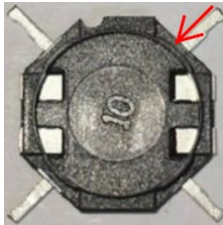
Riverside California – July 7, 2022 – In order to support our fast-growing demand and provide maximum flexibility to customers, Bourns will begin implementing several changes to improve the production efficiency and material sourcing lead time for the Model [SRF1260](#) and [SRF1280](#) Series Dual-Winding Shielded Power Inductors.

- 1) Several manufacturing procedures will be changed from a manual or semi-automated process to a fully-automated process. These changes should improve production efficiency, product quality and reliability. To accomplish these process changes, the design of the inductor shield and mounting base will be modified as shown below.

Change to inductor shield: Reduced wall thickness at the lower portion of the shield.

Existing Shield	Revised Shield
	 <i>Reduced wall thickness at the lower portion of shield (4 sides)</i>

Change to mounting base: Added retainer wall.

Existing Mounting Base	Revised Mounting Base
	 <i>Added retainer wall (4 places)</i>

Users should verify that the described changes will not impact the performance of the product in their specific applications.

IC22082

2) Certain properties of the ferrite core will change. The material characteristics of the revised core are compared to the characteristics of the existing core in the following table:

Core Material Characteristics	Existing Core	Revised Core
Initial Permeability	2400	1500
Saturation Flux Density (mT)	510	490
Curie Temperature (°C)	≥ 215	≥ 220

A list of affected part numbers is shown below:

Model SRF1260 Series - Affected Part Numbers					
SRF1260-100M	SRF1260-151M	SRF1260-221M	SRF1260-3R3Y	SRF1260-680M	SRF1260-821M
SRF1260-101M	SRF1260-1R0Y	SRF1260-2R2Y	SRF1260-470M	SRF1260-681M	SRF1260-8R2Y
SRF1260-102M	SRF1260-1R5Y	SRF1260-330M	SRF1260-471M	SRF1260-6R8Y	SRF1260-R47Y
SRF1260-150M	SRF1260-220M	SRF1260-331M	SRF1260-4R7Y	SRF1260-820M	

Model SRF1280 Series - Affected Part Numbers					
SRF1280-100M	SRF1280-151M	SRF1280-221M	SRF1280-3R3Y	SRF1280-680M	SRF1280-821M
SRF1280-101M	SRF1280-1R0Y	SRF1280-2R2Y	SRF1280-470M	SRF1280-681M	SRF1280-8R2Y
SRF1280-102M	SRF1280-1R5Y	SRF1280-330M	SRF1280-471M	SRF1280-6R8Y	SRF1280-R47Y
SRF1280-150M	SRF1280-220M	SRF1280-331M	SRF1280-4R7Y	SRF1280-820M	

The fit and function of the affected models will remain the same. The form of the affected models will change slightly due to the changes described above. The quality and reliability of the affected models should be improved. Traceability will be maintained through lot code and date code.

Samples built with the above changes are available on request. Bourns recommends that customers test the affected part number(s) in their specific applications for verification of satisfactory performance.

Implementation dates are as follows:

Date that manufacturing of existing product design and production process will cease: **September 17, 2022**

Date that deliveries of products manufactured with revised design and production process will begin: **September 18, 2022**

First date code using the above changes: **2238**

If you have any questions or need additional information, please feel free to [contact Customer Service/Inside Sales](#).