

Product Brief

TLF51801ELV

DC/DC Buck Controller

The TLF51801 is an AEC-qualified high current buck-controller providing an adjustable output voltage. The controller is capable to drive external power MOSFETs for load currents up to 10A. The current limitation can be realized either by sensing an external shunt resistor or by sensing the $R_{DS(on)}$ of the HS-switch reducing external components. Very low drop-out operation is achieved by a maximum duty-cycle of more than 99%. The adjustable switching frequency in the range of 100 to 700kHz can be synchronized to an external clock. An Enable-feature allows very low shutdown current consumption. TLF51801 is coming in a small, thermal enhanced SSOP-14 exposed-pad package (RoHS).

At a Glance

Key Features

- Driving FETs for loads up to 10A
- Adjustable switching frequency can be synchronized to an external clock
- Very low shut-down current
- Internal soft-start
- Protection functions
- PG-SSOP-14 EP
- AEC-qualified

Key Benefits

- Flexibility in current limitation to reduce external components
- Integrated soft-start limits the current peak as well as voltage overshoot at startup

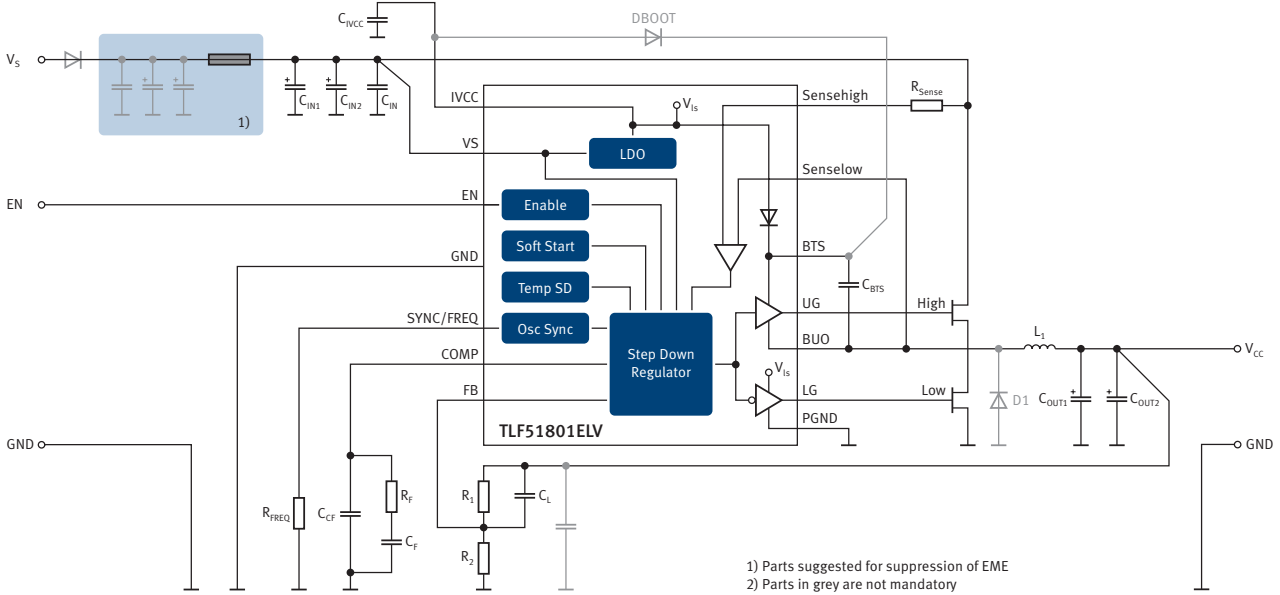
Application

- Automotive
- Pre-Regulator
- General purpose: high-current applications

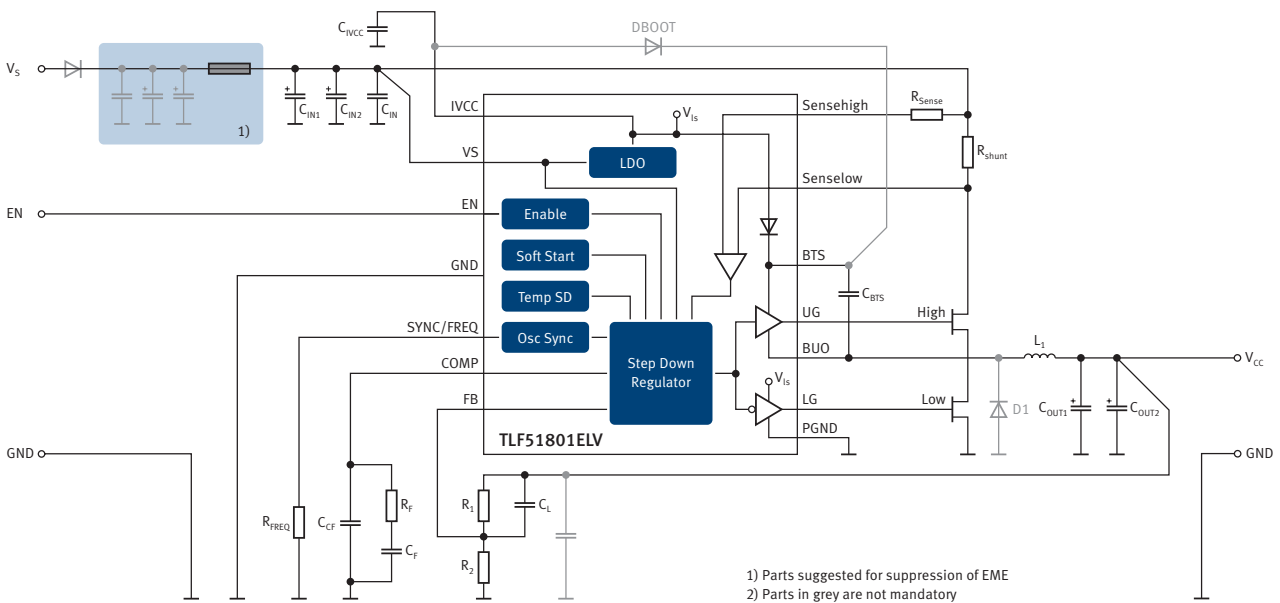
TLF51801ELV

DC/DC Buck Controller

Application Diagram: Current Limitation via $R_{DS(on)}$ -sense



Application Diagram: Current Limitation via Shunt-sense



Published by
Infineon Technologies AG
85579 Neubiberg, Germany

© 2013 Infineon Technologies AG.
All Rights Reserved.

Visit us:
www.infineon.com

Order Number: B124-H9827-X-X-7600
Date: 08 / 2013

Attention please!

The information given in this document shall in no event be regarded as a guarantee of conditions or characteristics ("Beschaffungsgarantie"). With respect to any examples or hints given herein, any typical values stated herein and/or any information regarding the application of the device, Infineon Technologies hereby disclaims any and all warranties and liabilities of any kind, including without limitation warranties of non-infringement of intellectual property rights of any third party.

Information

For further information on technology, delivery terms and conditions and prices please contact your nearest Infineon Technologies Office (www.infineon.com).

Warnings

Due to technical requirements components may contain dangerous substances. For information on the types in question please contact your nearest Infineon Technologies Office. Infineon Technologies Components may only be used in life-support devices or systems with the express written approval of Infineon Technologies, if a failure of such components can reasonably be expected to cause the failure of that life-support device or system, or to affect the safety or effectiveness of that device or system. Life support devices or systems are intended to be implanted in the human body, or to support and/or maintain and sustain and/or protect human life. If they fail, it is reasonable to assume that the health of the user or other persons may be endangered.