

Summary

The Xilinx® Virtex® UltraScale+™ FPGAs are available in -3, -2, -1 speed grades, with -3E devices having the highest performance. The -2LE devices can operate at a V_{CCINT} voltage at 0.85V or 0.72V and provide lower maximum static power. When operated at $V_{CCINT} = 0.85V$, using -2LE devices, the speed specification for the L devices is the same as the -2I speed grade. When operated at $V_{CCINT} = 0.72V$, the -2LE performance and static and dynamic power is reduced.

DC and AC characteristics are specified in extended (E) and industrial (I) temperature ranges. Except the operating temperature range or unless otherwise noted, all the DC and AC electrical parameters are the same for a particular speed grade (that is, the timing characteristics of a -1 speed grade extended device are the same as for a -1 speed grade industrial device). However, only selected speed grades and/or devices are available in each temperature range.

All supply voltage and junction temperature specifications are representative of worst-case conditions. The parameters included are common to popular designs and typical applications.

This data sheet, part of an overall set of documentation on the Virtex UltraScale+ FPGAs, is available on the Xilinx website at www.xilinx.com/documentation.

DC Characteristics

Absolute Maximum Ratings

Table 1: Absolute Maximum Ratings⁽¹⁾

Symbol	Description	Min	Max	Units
FPGA Logic				
V_{CCINT}	Internal supply voltage.	-0.500	1.000	V
V_{CCINT_IO} ⁽²⁾	Internal supply voltage for the I/O banks.	-0.500	1.000	V
V_{CCAUX}	Auxiliary supply voltage.	-0.500	2.000	V
V_{CCBRAM}	Supply voltage for the block RAM memories.	-0.500	1.000	V
V_{CCO}	Output drivers supply voltage for the I/O banks.	-0.500	2.000	V
V_{CCAUX_IO} ⁽³⁾	Auxiliary supply voltage for the I/O banks.	-0.500	2.000	V
V_{REF}	Input reference voltage.	-0.500	2.000	V
V_{IN} ⁽⁴⁾⁽⁵⁾⁽⁶⁾	I/O input voltage for I/O banks.	-0.550	$V_{CCO} + 0.550$	V
V_{BATT}	Key memory battery backup supply	-0.500	2.000	V
I_{DC}	Available output current at the pad.	-20	20	mA

© Copyright 2016–2017 Xilinx, Inc. Xilinx, the Xilinx logo, Artix, ISE, Kintex, Spartan, Virtex, Vivado, Zynq, and other designated brands included herein are trademarks of Xilinx in the United States and other countries. All other trademarks are the property of their respective owners.

Table 1: Absolute Maximum Ratings⁽¹⁾ (Cont'd)

Symbol	Description	Min	Max	Units
I_{RMS}	Available RMS output current at the pad.	-20	20	mA
GTY Transceivers				
$V_{MGTAVCC}$	Analog supply voltage for transceiver circuits.	-0.500	1.000	V
$V_{MGTAVTT}$	Analog supply voltage for transceiver termination circuits.	-0.500	1.300	V
$V_{MGTVCCAUX}$	Auxiliary analog Quad PLL (QPLL) voltage supply for transceivers.	-0.500	1.900	V
$V_{MGTREFCLK}$	Transceiver reference clock absolute input voltage.	-0.500	1.300	V
$V_{MGTAVTTRCAL}$	Analog supply voltage for the resistor calibration circuit of the transceiver column.	-0.500	1.300	V
V_{IN}	Receiver (RXP/RXN) and transmitter (TXP/TXN) absolute input voltage.	-0.500	1.200	V
$I_{DCIN-FLOAT}$	DC input current for receiver input pins DC coupled RX termination = floating. ⁽⁷⁾	-	10	mA
$I_{DCIN-MGTAVTT}$	DC input current for receiver input pins DC coupled RX termination = $V_{MGTAVTT}$.	-	10	mA
$I_{DCIN-GND}$	DC input current for receiver input pins DC coupled RX termination = GND. ⁽⁸⁾	-	0	mA
$I_{DCIN-PROG}$	DC input current for receiver input pins DC coupled RX termination = programmable. ⁽⁹⁾	-	0	mA
$I_{DCOUT-FLOAT}$	DC output current for transmitter pins DC coupled RX termination = floating.	-	6	mA
$I_{DCOUT-MGTAVTT}$	DC output current for transmitter pins DC coupled RX termination = $V_{MGTAVTT}$.	-	6	mA
System Monitor				
V_{CCADC}	System Monitor supply relative to GNDADC.	0.500	2.000	V
V_{REFP}	System Monitor reference input relative to GNDADC.	0.500	2.000	V
Temperature				
T_{STG}	Storage temperature (ambient).	-65	150	°C
T_{SOL}	Maximum soldering temperature. ⁽¹¹⁾	-	260	°C
T_j	Maximum junction temperature. ⁽¹¹⁾	-	125	°C

Notes:

- Stresses beyond those listed under Absolute Maximum Ratings might cause permanent damage to the device. These are stress ratings only, and functional operation of the device at these or any other conditions beyond those listed under Operating Conditions is not implied. Exposure to Absolute Maximum Ratings conditions for extended periods of time might affect device reliability.
- V_{CCINT_IO} must be connected to V_{CCBRAM} .
- V_{CCAUX_IO} must be connected to V_{CCAUX} .
- The lower absolute voltage specification always applies.
- For I/O operation, see the *UltraScale Architecture SelectIO Resources User Guide* ([UG571](#)).
- When operating outside of the recommended operating conditions, refer to [Table 4](#) for maximum overshoot and undershoot specifications.
- AC coupled operation is not supported for RX termination = floating.
- For GTY transceivers, DC coupled operation is not supported for RX termination = GND.
- DC coupled operation is not supported for RX termination = programmable.
- For more information on supported GTY transceiver terminations see the or *UltraScale Architecture GTY Transceiver User Guide* ([UG578](#)).
- For soldering guidelines and thermal considerations, see the *UltraScale and UltraScale+ FPGA Packaging and Pinout Specifications* ([UG575](#)).

Recommended Operating Conditions

 Table 2: Recommended Operating Conditions⁽¹⁾⁽²⁾

Symbol	Description	Min	Typ	Max	Units
FPGA Logic					
V _{CCINT}	Internal supply voltage.	0.825	0.850	0.876	V
	For -2LE (V _{CCINT} = 0.72V) devices: internal supply voltage.	0.698	0.720	0.742	V
	For -3E devices: internal supply voltage.	0.873	0.900	0.927	V
V _{CCINT_IO} ⁽³⁾	Internal supply voltage for the I/O banks.	0.825	0.850	0.876	V
	For -2LE devices (V _{CCINT} = 0.85V): internal supply voltage for the I/O banks.	0.825	0.850	0.876	V
	For -3E devices: internal supply voltage for the I/O banks.	0.873	0.900	0.927	V
V _{CCBRAM}	Block RAM supply voltage.	0.825	0.850	0.876	V
	For -3E devices: block RAM supply voltage.	0.873	0.900	0.927	V
V _{CCAUX}	Auxiliary supply voltage.	1.746	1.800	1.854	V
V _{CCO} ⁽⁴⁾⁽⁵⁾	Supply voltage for I/O banks.	0.950	–	1.900	V
V _{CCAUX_IO} ⁽⁶⁾	Auxiliary I/O supply voltage.	1.746	1.800	1.854	V
V _{IN} ⁽⁷⁾	I/O input voltage.	–0.200	–	V _{CCO} + 0.200	V
I _{IN} ⁽⁸⁾	Maximum current through any pin in a powered or unpowered bank when forward biasing the clamp diode.	–	–	10	mA
V _{BATT} ⁽⁹⁾	Battery voltage.	1.000	–	1.890	V
GTy Transceiver					
V _{MGTAVCC} ⁽¹⁰⁾	Analog supply voltage for the GTy transceiver.	0.873	0.900	0.927	V
V _{MGTAVTT} ⁽¹⁰⁾	Analog supply voltage for the GTy transmitter and receiver termination circuits.	1.164	1.20	1.236	V
V _{MGTVCCAUX} ⁽¹⁰⁾	Auxiliary analog QPLL voltage supply for the transceivers.	1.746	1.80	1.854	V
V _{MGTAVTTRCAL} ⁽¹⁰⁾	Analog supply voltage for the resistor calibration circuit of the GTy transceiver column.	1.164	1.20	1.236	V

Table 2: Recommended Operating Conditions⁽¹⁾⁽²⁾ (Cont'd)

Symbol	Description	Min	Typ	Max	Units
SYSMON					
V _{CCADC}	SYSMON supply relative to GNDADC.	1.746	1.800	1.854	V
V _{REFP}	SYSMON externally supplied reference voltage relative to GNDADC.	1.200	1.250	1.300	V
Temperature					
T _j ⁽¹¹⁾	Junction temperature operating range for extended (E) temperature devices. ⁽¹²⁾	0	–	100	°C
	Junction temperature operating range for industrial (I) temperature devices.	–40	–	100	°C
	Junction temperature operating range for eFUSE programming. ⁽¹³⁾	–40	–	125	°C

Notes:

- All voltages are relative to GND.
- For the design of the power distribution system consult *UltraScale Architecture PCB Design Guide* ([UG583](#)).
- V_{CCINT_IO} must be connected to V_{CCBRAM}.
- For V_{CCO_0}, the minimum recommended operating voltage for power on and during configuration is 1.425V. After configuration, data is retained even if V_{CCO} drops to 0V.
- Includes V_{CCO} of 1.0V, 1.2V, 1.35V, 1.5V, and 1.8V.
- V_{CCAUX_IO} must be connected to V_{CCAUX}.
- The lower absolute voltage specification always applies.
- A total of 200 mA per bank should not be exceeded.
- If battery is not used, connect V_{BATT} to either GND or V_{CCAUX}.
- Each voltage listed requires filtering as described in the *UltraScale Architecture GTY Transceiver User Guide* ([UG578](#)).
- Xilinx recommends measuring the T_j of a device using the system monitor as described in the *UltraScale Architecture System Monitor User Guide* ([UG580](#)). The SYSMON temperature measurement errors (that are described in [Table 58](#)) must be accounted for in your design. For example, by using an external reference of 1.25V, when SYSMON reports 97°C, there is a measurement error ±3°C. A reading of 97°C is considered the maximum adjusted T_j (100°C – 3°C = 97°C).
- Devices labeled with the speed/temperature grade of -2LE can operate for a limited time at a junction temperature of 110°C. Timing parameters adhere to the same speed file at 110°C as they do below 110°C, regardless of operating voltage (nominal voltage of 0.85V or a low-voltage of 0.72V). Operation at T_j = 110°C is limited to 1% of the device lifetime and can occur sequentially or at regular intervals as long as the total time does not exceed 1% of the device lifetime.
- Do not program eFUSE during device configuration (e.g., during configuration, during configuration readback, or when readback CRC is active).

DC Characteristics Over Recommended Operating Conditions

Table 3: DC Characteristics Over Recommended Operating Conditions

Symbol	Description	Min	Typ ⁽¹⁾	Max	Units
V _{DRINT}	Data retention V _{CCINT} voltage (below which configuration data might be lost).	0.68	–	–	V
V _{DRAUX}	Data retention V _{CCAUX} voltage (below which configuration data might be lost).	1.5	–	–	V
I _{REF}	V _{REF} leakage current per pin.	–	–	15	μA
I _L	Input or output leakage current per pin (sample-tested). ⁽²⁾	–	–	15	μA
C _{IN} ⁽³⁾	Die input capacitance at the pad.	–	–	3.1	pF
I _{RPU}	Pad pull-up (when selected) at V _{IN} = 0V, V _{CCO} = 3.3V.	75	–	190	μA
	Pad pull-up (when selected) at V _{IN} = 0V, V _{CCO} = 2.5V.	50	–	169	μA
	Pad pull-up (when selected) at V _{IN} = 0V, V _{CCO} = 1.8V.	60	–	120	μA
	Pad pull-up (when selected) at V _{IN} = 0V, V _{CCO} = 1.5V.	30	–	120	μA
	Pad pull-up (when selected) at V _{IN} = 0V, V _{CCO} = 1.2V.	10	–	100	μA
I _{RPD}	Pad pull-down (when selected) at V _{IN} = 3.3V.	60	–	200	μA
	Pad pull-down (when selected) at V _{IN} = 1.8V.	29	–	120	μA
I _{CCADCON}	Analog supply current for the SYSMON circuits in the power-up state.	–	–	8	mA
I _{CCADCOFF}	Analog supply current for the SYSMON circuits in the power-down state.	–	–	1.5	mA
I _{BATT} ⁽⁴⁾⁽⁵⁾	Battery supply current at V _{BATT} = 1.89V.	–	–	650	nA
	Battery supply current at V _{BATT} = 1.20V.	–	–	150	nA
I _{PFS} ⁽⁶⁾	V _{CCAUX} additional supply current during eFUSE programming.	–	–	115	mA
<i>Calibrated programmable on-die termination (DCI) in I/O banks⁽⁸⁾ (measured per JEDEC specification)</i>					
R ⁽⁹⁾	Thevenin equivalent resistance of programmable input termination to V _{CCO} /2 where ODT = RTT_40.	–10% ⁽⁸⁾	40	+10% ⁽⁸⁾	Ω
	Thevenin equivalent resistance of programmable input termination to V _{CCO} /2 where ODT = RTT_48.	–10% ⁽⁸⁾	48	+10% ⁽⁸⁾	Ω
	Thevenin equivalent resistance of programmable input termination to V _{CCO} /2 where ODT = RTT_60.	–10% ⁽⁸⁾	60	+10% ⁽⁸⁾	Ω
	Programmable input termination to V _{CCO} where ODT = RTT_40.	–10% ⁽⁸⁾	40	+10% ⁽⁸⁾	Ω
	Programmable input termination to V _{CCO} where ODT = RTT_48.	–10% ⁽⁸⁾	48	+10% ⁽⁸⁾	Ω
	Programmable input termination to V _{CCO} where ODT = RTT_60.	–10% ⁽⁸⁾	60	+10% ⁽⁸⁾	Ω
	Programmable input termination to V _{CCO} where ODT = RTT_120.	–10% ⁽⁸⁾	120	+10% ⁽⁸⁾	Ω
	Programmable input termination to V _{CCO} where ODT = RTT_240.	–10% ⁽⁸⁾	240	+10% ⁽⁸⁾	Ω

Table 3: DC Characteristics Over Recommended Operating Conditions (Cont'd)

Symbol	Description	Min	Typ ⁽¹⁾	Max	Units
<i>Uncalibrated programmable on-die termination in I/O banks (measured per JEDEC specification)</i>					
R ⁽⁹⁾	Thevenin equivalent resistance of programmable input termination to V _{CC0} /2 where ODT = RTT_40.	-50%	40	+50%	Ω
	Thevenin equivalent resistance of programmable input termination to V _{CC0} /2 where ODT = RTT_48.	-50%	48	+50%	Ω
	Thevenin equivalent resistance of programmable input termination to V _{CC0} /2 where ODT = RTT_60.	-50%	60	+50%	Ω
	Programmable input termination to V _{CC0} where ODT = RTT_40.	-50%	40	+50%	Ω
	Programmable input termination to V _{CC0} where ODT = RTT_48.	-50%	48	+50%	Ω
	Programmable input termination to V _{CC0} where ODT = RTT_60.	-50%	60	+50%	Ω
	Programmable input termination to V _{CC0} where ODT = RTT_120.	-50%	120	+50%	Ω
	Programmable input termination to V _{CC0} where ODT = RTT_240.	-50%	240	+50%	Ω
Internal V _{REF}	50% V _{CC0}	V _{CC0} × 0.49	V _{CC0} × 0.50	V _{CC0} × 0.51	V
	70% V _{CC0}	V _{CC0} × 0.69	V _{CC0} × 0.70	V _{CC0} × 0.71	V
Differential termination	Programmable differential termination (TERM_100) for the I/O banks.	-35%	100	+35%	Ω
n	Temperature diode ideality factor.	-	1.026	-	-
r	Temperature diode series resistance.	-	2	-	Ω

Notes:

1. Typical values are specified at nominal voltage, 25°C.
2. For the I/O banks with a V_{CC0} of 1.8V and separated V_{CC0} and V_{CCAUX_IO} power supplies, the I_L maximum current is 70 μA.
3. This measurement represents the die capacitance at the pad, not including the package.
4. Maximum value specified for worst case process at 25°C.
5. I_{BATT} is measured when the battery-backed RAM (BBRAM) is enabled.
6. Do not program eFUSE during device configuration (e.g., during configuration, during configuration readback, or when readback CRC is active).
7. If VRP resides at a different bank (DCI cascade), the range increases to ±15%.
8. VRP resistor tolerance is (240Ω ±1%)
9. On-die input termination resistance, for more information see the *UltraScale Architecture SelectIO Resources User Guide (UG571)*.

V_{IN} Maximum Allowed AC Voltage Overshoot and Undershoot

Table 4: V_{IN} Maximum Allowed AC Voltage Overshoot and Undershoot for HP I/O Banks⁽¹⁾⁽²⁾

AC Voltage Overshoot	% of UI at -40°C to 100°C	AC Voltage Undershoot	% of UI at -40°C to 100°C
V _{CCO} + 0.30	100%	-0.30	100%
V _{CCO} + 0.35	100%	-0.35	90%
V _{CCO} + 0.40	92%	-0.40	92%
V _{CCO} + 0.45	50%	-0.45	50%
V _{CCO} + 0.50	20%	-0.50	20%
V _{CCO} + 0.55	10%	-0.55	10%
V _{CCO} + 0.60	6%	-0.60	6%
V _{CCO} + 0.65	2%	-0.65	2%
V _{CCO} + 0.70	2%	-0.70	2%

Notes:

1. A total of 200 mA per bank should not be exceeded.
2. For UI smaller than 20 μs.

Quiescent Supply Current

Table 5: Typical Quiescent Supply Current⁽¹⁾⁽²⁾⁽³⁾

Symbol	Description	Device	Speed Grade and V _{CCINT} Operating Voltages				Units
			0.90V	0.85V		0.72V	
			-3	-2	-1	-2	
I _{CCINTQ}	Quiescent V _{CCINT} supply current.	XCVU3P	2384	2276	2276	2017	mA
		XCVU5P	4769	4552	4552	4034	mA
		XCVU7P	4769	4552	4552	4034	mA
		XCVU9P	7153	6828	6828	6050	mA
		XCVU11P	7567	7202	7202	6332	mA
		XCVU13P	10090	9602	9602	8442	mA
I _{CCINT_IOQ}	Quiescent current for V _{CCINT_IO} supply.	XCVU3P	149	144	144	144	mA
		XCVU5P	298	287	287	287	mA
		XCVU7P	298	287	287	287	mA
		XCVU9P	447	431	431	431	mA
		XCVU11P	182	176	176	176	mA
		XCVU13P	243	234	234	234	mA
I _{CCOQ}	Quiescent V _{CCO} supply current.	All devices	1	1	1	1	mA
I _{CCAUXQ}	Quiescent V _{CCAUX} supply current.	XCVU3P	268	268	268	268	mA
		XCVU5P	535	535	535	535	mA
		XCVU7P	535	535	535	535	mA
		XCVU9P	1015	1015	1015	1015	mA
		XCVU11P	819	819	819	819	mA
		XCVU13P	1091	1091	1091	1091	mA

Table 5: Typical Quiescent Supply Current⁽¹⁾⁽²⁾⁽³⁾ (Cont'd)

Symbol	Description	Device	Speed Grade and V _{CCINT} Operating Voltages				Units
			0.90V	0.85V		0.72V	
			-3	-2	-1	-2	
I _{CCAUX_IOQ}	Quiescent V _{CCAUX_IO} supply current.	XCVU3P	62	62	62	62	mA
		XCVU5P	124	124	124	124	mA
		XCVU7P	124	124	124	124	mA
		XCVU9P	187	187	187	187	mA
		XCVU11P	79	79	79	79	mA
		XCVU13P	105	105	105	105	mA
I _{CCBRAMQ}	Quiescent V _{CCBRAM} supply current.	XCVU3P	45	43	43	43	mA
		XCVU5P	90	85	85	85	mA
		XCVU7P	90	85	85	85	mA
		XCVU9P	134	128	128	128	mA
		XCVU11P	130	124	124	124	mA
		XCVU13P	174	165	165	165	mA

Notes:

1. Typical values are specified at nominal voltage, 85°C junction temperatures (T_j) with single-ended SelectIO™ resources.
2. Typical values are for blank configured devices with no output current loads, no active input pull-up resistors, all I/O pins are 3-state and floating.
3. Use the Xilinx Power Estimator (XPE) spreadsheet tool (download at www.xilinx.com/power) to estimate static power consumption for conditions other than those specified.

Power-On/Off Power Supply Sequencing

The recommended power-on sequence is V_{CCINT}, V_{CCINT_IO}/V_{CCBRAM}, V_{CCAUX}/V_{CCAUX_IO}, and V_{CCO} to achieve minimum current draw and ensure that the I/Os are 3-stated at power-on. The recommended power-off sequence is the reverse of the power-on sequence. If V_{CCINT} and V_{CCINT_IO}/V_{CCBRAM} have the same recommended voltage levels, they can be powered by the same supply and ramped simultaneously. V_{CCINT_IO} must be connected to V_{CCBRAM}. If V_{CCAUX}/V_{CCAUX_IO} and V_{CCO} have the same recommended voltage levels, they can be powered by the same supply and ramped simultaneously. V_{CCAUX} and V_{CCAUX_IO} must be connected together. V_{CCADC} and V_{REF} can be powered at any time and have no power-up sequencing requirements.

The recommended power-on sequence to achieve minimum current draw for the GTY transceivers are V_{CCINT}, V_{MGTAVCC}, V_{MGTAVTT} OR V_{MGTAVCC}, V_{CCINT}, V_{MGTAVTT}. There is no recommended sequencing for V_{MGTVCCAUX}. Both V_{MGTAVCC} and V_{CCINT} can be ramped simultaneously. The recommended power-off sequence is the reverse of the power-on sequence to achieve minimum current draw.

If these recommended sequences are not met, current drawn from V_{MGTAVTT} can be higher than specifications during power-up and power-down.

Power Supply Requirements

Table 6 shows the minimum current, in addition to I_{CCQ} maximum, required by each Virtex UltraScale+ FPGA for proper power-on and configuration. If the current minimums shown in Table 6 are met, the device powers on after all supplies have passed through their power-on reset threshold voltages. The device must not be configured until after V_{CCINT} is applied. Once initialized and configured, use the Xilinx Power Estimator (XPE) tools to estimate current drain on these supplies.

Table 6: Power-on Current by Device⁽¹⁾

Device	$I_{CCINTMIN}$	$I_{CCINT_IOMIN} + I_{CCBRAMMIN}$	I_{CCOMIN}	$I_{CCAUXMIN} + I_{CCAUX_IOMIN}$	Units
XCVU3P	$I_{CCINTQ} + 2000$	$I_{CCBRAMQ} + I_{CCINT_IOQ} + 950$	$I_{CCOQ} + 50$	$I_{CCAUXQ} + I_{CCAUX_IOQ} + 350$	mA
XCVU5P	$I_{CCINTQ} + 4000$	$I_{CCBRAMQ} + I_{CCINT_IOQ} + 1900$	$I_{CCOQ} + 100$	$I_{CCAUXQ} + I_{CCAUX_IOQ} + 700$	mA
XCVU7P	$I_{CCINTQ} + 4000$	$I_{CCBRAMQ} + I_{CCINT_IOQ} + 1900$	$I_{CCOQ} + 100$	$I_{CCAUXQ} + I_{CCAUX_IOQ} + 700$	mA
XCVU9P	$I_{CCINTQ} + 6000$	$I_{CCBRAMQ} + I_{CCINT_IOQ} + 2850$	$I_{CCOQ} + 150$	$I_{CCAUXQ} + I_{CCAUX_IOQ} + 1050$	mA
XCVU11P	$I_{CCINTQ} + 6549$	$I_{CCBRAMQ} + I_{CCINT_IOQ} + 3111$	$I_{CCOQ} + 164$	$I_{CCAUXQ} + I_{CCAUX_IOQ} + 1146$	mA
XCVU13P	$I_{CCINTQ} + 8731$	$I_{CCBRAMQ} + I_{CCINT_IOQ} + 4148$	$I_{CCOQ} + 219$	$I_{CCAUXQ} + I_{CCAUX_IOQ} + 1528$	mA

Notes:

1. Use the Xilinx Power Estimator (XPE) spreadsheet tool (download at www.xilinx.com/power) to estimate power-on current for all supplies.

Table 7 shows the power supply ramp time.

Table 7: Power Supply Ramp Time

Symbol	Description	Min	Max	Units
T_{VCCINT}	Ramp time from GND to 95% of V_{CCINT} .	0.2	40	ms
T_{VCCINT_IO}	Ramp time from GND to 95% of V_{CCINT_IO} .	0.2	40	ms
T_{VCCO}	Ramp time from GND to 95% of V_{CCO} .	0.2	40	ms
T_{VCCAUX}	Ramp time from GND to 95% of V_{CCAUX} .	0.2	40	ms
$T_{VCCBRAM}$	Ramp time from GND to 95% of V_{CCBRAM} .	0.2	40	ms
$T_{MGTAVCC}$	Ramp time from GND to 95% of $V_{MGTAVCC}$.	0.2	40	ms
$T_{MGTAVTT}$	Ramp time from GND to 95% of $V_{MGTAVTT}$.	0.2	40	ms
$T_{MGTVCCAUX}$	Ramp time from GND to 95% of $V_{MGTVCCAUX}$.	0.2	40	ms

DC Input and Output Levels

Values for V_{IL} and V_{IH} are recommended input voltages. Values for I_{OL} and I_{OH} are guaranteed over the recommended operating conditions at the V_{OL} and V_{OH} test points. Only selected standards are tested. These are chosen to ensure that all standards meet their specifications. The selected standards are tested at a minimum V_{CCO} with the respective V_{OL} and V_{OH} voltage levels shown. Other standards are sample tested.

Table 8: SelectIO DC Input and Output Levels for the I/O Banks⁽¹⁾⁽²⁾⁽³⁾

I/O Standard	V_{IL}		V_{IH}		V_{OL}	V_{OH}	I_{OL}	I_{OH}
	V, Min	V, Max	V, Min	V, Max	V, Max	V, Min	mA	mA
HSTL_I	-0.300	$V_{REF} - 0.100$	$V_{REF} + 0.100$	$V_{CCO} + 0.300$	0.400	$V_{CCO} - 0.400$	5.8	-5.8
HSTL_I_12	-0.300	$V_{REF} - 0.080$	$V_{REF} + 0.080$	$V_{CCO} + 0.300$	25% V_{CCO}	75% V_{CCO}	4.1	-4.1
HSTL_I_18	-0.300	$V_{REF} - 0.100$	$V_{REF} + 0.100$	$V_{CCO} + 0.300$	0.400	$V_{CCO} - 0.400$	6.2	-6.2
HSUL_12	-0.300	$V_{REF} - 0.130$	$V_{REF} + 0.130$	$V_{CCO} + 0.300$	20% V_{CCO}	80% V_{CCO}	0.1	-0.1
LVC MOS12	-0.300	35% V_{CCO}	65% V_{CCO}	$V_{CCO} + 0.300$	0.400	$V_{CCO} - 0.400$	Note 4	Note 4
LVC MOS15	-0.300	35% V_{CCO}	65% V_{CCO}	$V_{CCO} + 0.300$	0.450	$V_{CCO} - 0.450$	Note 5	Note 5
LVC MOS18	-0.300	35% V_{CCO}	65% V_{CCO}	$V_{CCO} + 0.300$	0.450	$V_{CCO} - 0.450$	Note 5	Note 5
LVDCI_15	-0.300	35% V_{CCO}	65% V_{CCO}	$V_{CCO} + 0.300$	0.450	$V_{CCO} - 0.450$	7.0	-7.0
LVDCI_18	-0.300	35% V_{CCO}	65% V_{CCO}	$V_{CCO} + 0.300$	0.450	$V_{CCO} - 0.450$	7.0	-7.0
SSTL12	-0.300	$V_{REF} - 0.100$	$V_{REF} + 0.100$	$V_{CCO} + 0.300$	$V_{CCO}/2 - 0.150$	$V_{CCO}/2 + 0.150$	8.0	-8.0
SSTL135	-0.300	$V_{REF} - 0.090$	$V_{REF} + 0.090$	$V_{CCO} + 0.300$	$V_{CCO}/2 - 0.150$	$V_{CCO}/2 + 0.150$	9.0	-9.0
SSTL15	-0.300	$V_{REF} - 0.100$	$V_{REF} + 0.100$	$V_{CCO} + 0.300$	$V_{CCO}/2 - 0.175$	$V_{CCO}/2 + 0.175$	10.0	-10.0
SSTL18_I	-0.300	$V_{REF} - 0.125$	$V_{REF} + 0.125$	$V_{CCO} + 0.300$	$V_{CCO}/2 - 0.470$	$V_{CCO}/2 + 0.470$	7.0	-7.0
MIPI_DPHY_DCI_LP ⁽⁶⁾	-0.300	0.550	0.880	$V_{CCO} + 0.300$	0.050	1.100	0.01	-0.01

Notes:

1. Tested according to relevant specifications.
2. Standards specified using the default I/O standard configuration. For details, see the *UltraScale Architecture SelectIO Resources User Guide* (UG571).
3. POD10 and POD12 DC input and output levels are shown in Table 9, Table 13, and Table 14.
4. Supported drive strengths of 2, 4, 6, or 8 mA in the I/O banks.
5. Supported drive strengths of 2, 4, 6, 8, or 12 mA in the I/O banks.
6. Low-power option for MIPI_DPHY_DCI.

Table 9: DC Input Levels for Single-ended POD10 and POD12 I/O Standards⁽¹⁾⁽²⁾

I/O Standard	V_{IL}		V_{IH}	
	V, Min	V, Max	V, Min	V, Max
POD10	-0.300	$V_{REF} - 0.068$	$V_{REF} + 0.068$	$V_{CCO} + 0.300$
POD12	-0.300	$V_{REF} - 0.068$	$V_{REF} + 0.068$	$V_{CCO} + 0.300$

Notes:

1. Tested according to relevant specifications.
2. Standards specified using the default I/O standard configuration. For details, see the *UltraScale Architecture SelectIO Resources User Guide* (UG571).

Table 10: Differential SelectIO DC Input and Output Levels

I/O Standard	V _{ICM} (V) ⁽¹⁾			V _{ID} (V) ⁽²⁾			V _{ILHS} ⁽³⁾	V _{IHHS} ⁽³⁾	V _{OCM} (V) ⁽⁴⁾			V _{OD} (V) ⁽⁵⁾		
	Min	Typ	Max	Min	Typ	Max	Min	Max	Min	Typ	Max	Min	Typ	Max
SUB_LVDS	0.500	0.900	1.300	0.070	–	–	–	–	0.700	0.900	1.100	0.100	0.150	0.200
SLVS_400_18	0.070	0.200	0.330	0.140	–	0.450	–	–	–	–	–	–	–	–
MIPI_DPHY_DCI_HS ⁽⁷⁾	0.070	–	0.330	0.070	–	–	–0.040	0.460	0.150	0.200	0.250	0.140	0.200	0.270

Notes:

- V_{ICM} is the input common mode voltage.
- V_{ID} is the input differential voltage (Q – \bar{Q}).
- V_{IHHS} and V_{ILHS} are the single-ended input high and low voltages, respectively.
- V_{OCM} is the output common mode voltage.
- V_{OD} is the output differential voltage (Q – \bar{Q}).
- LVDS is specified in Table 15.
- High-speed option for MIPI_DPHY_DCI. The V_{ID} maximum is aligned with the standard’s specification. A higher V_{ID} is acceptable as long as the V_{IN} specification is also met.

Table 11: Complementary Differential SelectIO DC Input and Output Levels for the I/O Banks ⁽¹⁾

I/O Standard	V _{ICM} (V) ⁽²⁾			V _{ID} (V) ⁽³⁾		V _{OL} (V) ⁽⁴⁾	V _{OH} (V) ⁽⁵⁾	I _{OL}	I _{OH}
	Min	Typ	Max	Min	Max	Max	Min	mA	mA
DIFF_HSTL_I	0.680	V _{CCO} /2	(V _{CCO} /2) + 0.150	0.100	–	0.400	V _{CCO} – 0.400	5.8	–5.8
DIFF_HSTL_I_12	0.400 x V _{CCO}	V _{CCO} /2	0.600 x V _{CCO}	0.100	–	0.250 x V _{CCO}	0.750 x V _{CCO}	4.1	–4.1
DIFF_HSTL_I_18	(V _{CCO} /2) – 0.175	V _{CCO} /2	(V _{CCO} /2) + 0.175	0.100	–	0.400	V _{CCO} – 0.400	6.2	–6.2
DIFF_HSUL_12	(V _{CCO} /2) – 0.120	V _{CCO} /2	(V _{CCO} /2) + 0.120	0.100	–	20% V _{CCO}	80% V _{CCO}	0.1	–0.1
DIFF_SSTL12	(V _{CCO} /2) – 0.150	V _{CCO} /2	(V _{CCO} /2) + 0.150	0.100	–	(V _{CCO} /2) – 0.150	(V _{CCO} /2) + 0.150	8.0	–8.0
DIFF_SSTL135	(V _{CCO} /2) – 0.150	V _{CCO} /2	(V _{CCO} /2) + 0.150	0.100	–	(V _{CCO} /2) – 0.150	(V _{CCO} /2) + 0.150	9.0	–9.0
DIFF_SSTL15	(V _{CCO} /2) – 0.175	V _{CCO} /2	(V _{CCO} /2) + 0.175	0.100	–	(V _{CCO} /2) – 0.175	(V _{CCO} /2) + 0.175	10.0	–10.0
DIFF_SSTL18_I	(V _{CCO} /2) – 0.175	V _{CCO} /2	(V _{CCO} /2) + 0.175	0.100	–	(V _{CCO} /2) – 0.470	(V _{CCO} /2) + 0.470	7.0	–7.0

Notes:

- DIFF_POD10 and DIFF_POD12 HP I/O bank specifications are shown in Table 12, Table 13, and Table 14.
- V_{ICM} is the input common mode voltage.
- V_{ID} is the input differential voltage.
- V_{OL} is the single-ended low-output voltage.
- V_{OH} is the single-ended high-output voltage.

Table 12: DC Input Levels for Differential POD10 and POD12 I/O Standards ⁽¹⁾ ⁽²⁾

I/O Standard	V _{ICM} (V)			V _{ID} (V)	
	Min	Typ	Max	Min	Max
DIFF_POD10	0.63	0.70	0.77	0.14	–
DIFF_POD12	0.76	0.84	0.92	0.16	–

Notes:

- Tested according to relevant specifications.
- Standards specified using the default I/O standard configuration. For details, see the *UltraScale Architecture SelectIO Resources User Guide* (UG571).

Table 13: DC Output Levels for Single-ended and Differential POD10 and POD12 Standards (1)(2)

Symbol	Description	V_{OUT}	Min	Typ	Max	Units
R_{OL}	Pull-down resistance.	V_{OM_DC} (as described in Table 14)	36	40	44	Ω
R_{OH}	Pull-up resistance.	V_{OM_DC} (as described in Table 14)	36	40	44	Ω

Notes:

1. Tested according to relevant specifications.
2. Standards specified using the default I/O standard configuration. For details, see the *UltraScale Architecture SelectIO Resources User Guide (UG571)*.

Table 14: Table 13 Definitions for DC Output Levels for POD Standards

Symbol	Description	All Speed Grades	Units
V_{OM_DC}	DC output Mid measurement level (for IV curve linearity).	$0.8 \times V_{CCO}$	V

LVDS DC Specifications (LVDS)

Table 15: LVDS DC Specifications

Symbol	DC Parameter	Conditions	Min	Typ	Max	Units
V_{CCO} (1)	Supply voltage.		1.710	1.800	1.890	V
V_{ODIFF} (2)	Differential output voltage: ($\overline{Q} - Q$), $Q = \text{High}$ ($Q - \overline{Q}$), $\overline{Q} = \text{High}$	$R_T = 100\Omega$ across Q and \overline{Q} signals	247	350	454	mV
V_{OCM} (2)	Output common-mode voltage.	$R_T = 100\Omega$ across Q and \overline{Q} signals	1.000	1.250	1.425	V
V_{IDIFF}	Differential input voltage: ($\overline{Q} - Q$), $Q = \text{High}$ ($Q - \overline{Q}$), $\overline{Q} = \text{High}$		100	350	600 (3)	mV
V_{ICM_DC} (4)	Input common-mode voltage (DC coupling).		0.300	1.200	1.425	V
V_{ICM_AC} (5)	Input common-mode voltage (AC coupling).		0.600	–	1.100	V

Notes:

1. In I/O banks, when LVDS is used with input-only functionality, it can be placed in a bank where the V_{CCO} levels are different from the specified level only if internal differential termination is not used. In this scenario, V_{CCO} must be chosen to ensure the input pin voltage levels do not violate the *Recommended Operating Condition (Table 2)* specification for the V_{IN} I/O pin voltage.
2. V_{OCM} and V_{ODIFF} values are for $LVDS_PRE_EMPHASIS = \text{FALSE}$.
3. Maximum V_{IDIFF} value is specified for the maximum V_{ICM} specification. With a lower V_{ICM} , a higher V_{IDIFF} is tolerated only when the recommended operating conditions and overshoot/undershoot V_{IN} specifications are maintained.
4. Input common mode voltage for DC coupled configurations. $EQUALIZATION = \text{EQ_NONE}$ (Default).
5. External input common mode voltage specification for AC coupled configurations. $EQUALIZATION = \text{EQ_LEVEL0}$, EQ_LEVEL1 , EQ_LEVEL2 , EQ_LEVEL3 , EQ_LEVEL4 .

AC Switching Characteristics

All values represented in this data sheet are based on the speed specifications in the Vivado® Design Suite as outlined in [Table 16](#).

Table 16: Speed Specification Version By Device

2017.1	Device
1.10	XCVU3P, XCVU7P, XCVU9P, XCVU5P, XCVU11P, XCVU13P

Switching characteristics are specified on a per-speed-grade basis and can be designated as Advance, Preliminary, or Production. Each designation is defined as follows:

Advance Product Specification

These specifications are based on simulations only and are typically available soon after device design specifications are frozen. Although speed grades with this designation are considered relatively stable and conservative, some under-reporting might still occur.

Preliminary Product Specification

These specifications are based on complete ES (engineering sample) silicon characterization. Devices and speed grades with this designation are intended to give a better indication of the expected performance of production silicon. The probability of under-reporting delays is greatly reduced as compared to Advance data.

Product Specification

These specifications are released once enough production silicon of a particular device family member has been characterized to provide full correlation between specifications and devices over numerous production lots. There is no under-reporting of delays, and customers receive formal notification of any subsequent changes. Typically, the slowest speed grades transition to production before faster speed grades.

Testing of AC Switching Characteristics

Internal timing parameters are derived from measuring internal test patterns. All AC switching characteristics are representative of worst-case supply voltage and junction temperature conditions.

For more specific, more precise, and worst-case guaranteed data, use the values reported by the static timing analyzer and back-annotate to the simulation net list. Unless otherwise noted, values apply to all Virtex UltraScale+ FPGAs.

Speed Grade Designations

Since individual family members are produced at different times, the migration from one category to another depends completely on the status of the fabrication process for each device. [Table 16](#) correlates the current status of the Virtex UltraScale+ FPGA on a per speed grade basis.

Table 17: Speed Grade Designations by Device

Device	Speed Grade, Temperature Ranges, and V_{CCINT} Operating Voltages		
	Advance	Preliminary	Production
XCVU3P	-3E ($V_{CCINT} = 0.90V$) -2LE ($V_{CCINT} = 0.85V$) -2LE ($V_{CCINT} = 0.72V$) ⁽¹⁾		-2I ($V_{CCINT} = 0.85V$) -1E ($V_{CCINT} = 0.85V$) -1I ($V_{CCINT} = 0.85V$)
XCVU5P	-3E ($V_{CCINT} = 0.90V$) -2I ($V_{CCINT} = 0.85V$), -2LE ($V_{CCINT} = 0.85V$) -1E ($V_{CCINT} = 0.85V$), -1I ($V_{CCINT} = 0.85V$) -2LE ($V_{CCINT} = 0.72V$) ⁽¹⁾		
XCVU7P	-3E ($V_{CCINT} = 0.90V$) -2I ($V_{CCINT} = 0.85V$), -2LE ($V_{CCINT} = 0.85V$) -1E ($V_{CCINT} = 0.85V$), -1I ($V_{CCINT} = 0.85V$) -2LE ($V_{CCINT} = 0.72V$) ⁽¹⁾		
XCVU9P	-3E ($V_{CCINT} = 0.90V$) -2I ($V_{CCINT} = 0.85V$), -2LE ($V_{CCINT} = 0.85V$) -1E ($V_{CCINT} = 0.85V$), -1I ($V_{CCINT} = 0.85V$) -2LE ($V_{CCINT} = 0.72V$) ⁽¹⁾		
XCVU11P	-3E ($V_{CCINT} = 0.90V$) -2I ($V_{CCINT} = 0.85V$), -2LE ($V_{CCINT} = 0.85V$) -1E ($V_{CCINT} = 0.85V$), -1I ($V_{CCINT} = 0.85V$), -2LE ($V_{CCINT} = 0.72V$) ⁽¹⁾		
XCVU13P	-3E ($V_{CCINT} = 0.90V$) -2I ($V_{CCINT} = 0.85V$), -2LE ($V_{CCINT} = 0.85V$) -1E ($V_{CCINT} = 0.85V$), -1I ($V_{CCINT} = 0.85V$) -2LE ($V_{CCINT} = 0.72V$) ⁽¹⁾		

Notes:

1. The lowest power -2L devices, where $V_{CCINT} = 0.72V$, are listed in the Vivado Design Suite as -2LV.

Production Silicon and Software Status

In some cases, a particular family member (and speed grade) is released to production before a speed specification is released with the correct label (Advance, Preliminary, Production). Any labeling discrepancies are corrected in subsequent speed specification releases.

Table 18 lists the production released Virtex UltraScale+ FPGA, speed grade, and the minimum corresponding supported speed specification version and Vivado software revisions. The Vivado software and speed specifications listed are the minimum releases required for production. All subsequent releases of software and speed specifications are valid.

Table 18: Virtex UltraScale+ FPGA Device Production Software and Speed Specification Release

Device	Speed Grade and V_{CCINT} Operating Voltages				
	0.90V	0.85V			0.72V
	-3	-2	-1	-2L	-2L
XCVU3P		Vivado tools 2017.1 v1.10			
XCVU5P					
XCVU7P					
XCVU9P					
XCVU11P					
XCVU13P					

Notes:

- Blank entries indicate a device and/or speed grade in Advance or Preliminary status.

FPGA Logic Performance Characteristics

This section provides the performance characteristics of some common functions and designs implemented in Virtex UltraScale+ FPGAs. These values are subject to the same guidelines as the [AC Switching Characteristics](#), page 13.

Table 19: LVDS Component Mode Performance

Description	Speed Grade and V _{CCINT} Operating Voltages								Units
	0.90V		0.85V				0.72V		
	-3		-2		-1		-2		
	Min	Max	Min	Max	Min	Max	Min	Max	
LVDS TX DDR (OSERDES 4:1, 8:1)	0	1250	0	1250	0	1250	0	1250	Mb/s
LVDS TX SDR (OSERDES 2:1, 4:1)	0	625	0	625	0	625	0	625	Mb/s
LVDS RX DDR (ISERDES 1:4, 1:8) ⁽¹⁾	0	1250	0	1250	0	1250	0	1250	Mb/s
LVDS RX SDR (ISERDES 1:2, 1:4) ⁽¹⁾	0	625	0	625	0	625	0	625	Mb/s

Notes:

1. LVDS receivers are typically bounded with certain applications to achieve maximum performance. Package skews are not included and should be removed through PCB routing.

Table 20: LVDS Native Mode Performance⁽¹⁾⁽²⁾

Description	DATA_WIDTH	Speed Grade and V _{CCINT} Operating Voltages								Units
		0.90V		0.85V				0.72V		
		-3		-2		-1		-2		
		Min	Max	Min	Max	Min	Max	Min	Max	
LVDS TX DDR (TX_BITSLICE)	4	375	1600	375	1600	375	1260	375	1400	Mb/s
	8	375	1600	375	1600	375	1260	375	1600	Mb/s
LVDS TX SDR (TX_BITSLICE)	4	187.5	800	187.5	800	187.5	630	187.5	700	Mb/s
	8	187.5	800	187.5	800	187.5	630	187.5	800	Mb/s
LVDS RX DDR (RX_BITSLICE) ⁽³⁾	4	375	1600	375	1600	375	1260	375	1400	Mb/s
	8	375	1600	375	1600	375	1260	375	1600	Mb/s
LVDS RX SDR (RX_BITSLICE) ⁽³⁾	4	187.5	800	187.5	800	187.5	630	187.5	700	Mb/s
	8	187.5	800	187.5	800	187.5	630	187.5	800	Mb/s

Notes:

1. Native mode is supported through the [High-Speed SelectIO Interface Wizard](#) available with the Vivado Design Suite.
2. PLL settings can restrict the minimum allowable data rate. For example, when using the PLL with CLKOUTPHY_MODE = VCO_HALF the minimum frequency is PLL_FVCOMIN/2.
3. LVDS receivers are typically bounded with certain applications to achieve maximum performance. Package skews are not included and should be removed through PCB routing.

Table 21: MIPI D-PHY Performance

Description	Speed Grade and V _{CCINT} Operating Voltages				Units
	0.90V		0.85V		
	-3		-2		
	Min	Max	Min	Max	
MIPI D-PHY transmitter or receiver.	1500		1500		Mb/s

Table 22: LVDS Native-Mode 1000BASE-X Support⁽¹⁾

Description	Speed Grade and V _{CCINT} Operating Voltages			
	0.90V	0.85V		0.72V
	-3	-2	-1	-2
1000BASE-X	Yes			

Notes:

- 1000BASE-X support is based on the *IEEE Standard for CSMA/CD Access Method and Physical Layer Specifications* (IEEE Std 802.3-2008).

Table 23 provides the maximum data rates for applicable memory standards using the Virtex UltraScale+ FPGA memory PHY. Refer to [Memory Interfaces](#) for the complete list of memory interface standards supported and detailed specifications. The final performance of the memory interface is determined through a complete design implemented in the Vivado Design Suite, following guidelines in the *UltraScale Architecture PCB Design Guide* ([UG583](#)), electrical analysis, and characterization of the system.

Table 23: Maximum Physical Interface (PHY) Rate for Memory Interfaces

Memory Standard	DRAM Type	Speed Grade and V _{CCINT} Operating Voltages				Units
		0.90V	0.85V		0.72V	
		-3	-2	-1	-2	
DDR4	Single rank component	2666	2666	2400	2400	Mb/s
	1 rank DIMM ⁽¹⁾⁽²⁾	2400	2400	2133	2133	Mb/s
	2 rank DIMM ⁽¹⁾⁽³⁾	2133	2133	1866	1866	Mb/s
	4 rank DIMM ⁽¹⁾⁽⁴⁾	1600	1600	1333	1333	Mb/s
DDR3	Single rank component	2133	2133	2133	2133	Mb/s
	1 rank DIMM ⁽¹⁾⁽²⁾	1866	1866	1866	1866	Mb/s
	2 rank DIMM ⁽¹⁾⁽³⁾	1600	1600	1600	1600	Mb/s
	4 rank DIMM ⁽¹⁾⁽⁴⁾	1066	1066	1066	1066	Mb/s
DDR3L	Single rank component	1866	1866	1866	1866	Mb/s
	1 rank DIMM ⁽¹⁾⁽²⁾	1600	1600	1600	1600	Mb/s
	2 rank DIMM ⁽¹⁾⁽³⁾	1333	1333	1333	1333	Mb/s
	4 rank DIMM ⁽¹⁾⁽⁴⁾	800	800	800	800	Mb/s
QDR II+	Single rank component ⁽⁵⁾	633	633	600	600	MHz
RLDRAM 3	Single rank component	1200	1200	1066	1066	MHz
QDR IV XP	Single rank component	1066	1066	1066	933	MHz
LPDDR3	Single rank component	1600	1600	1600	1600	Mb/s

Notes:

- Dual in-line memory module (DIMM) includes RDIMM, SODIMM, UDIMM, and LRDIMM.
- Includes: 1 rank 1 slot, DDP 2 rank, LRDIMM 2 or 4 rank 1 slot.
- Includes: 2 rank 1 slot, 1 rank 2 slot, LRDIMM 2 rank 2 slot.
- Includes: 2 rank 2 slot, 4 rank 1 slot.
- The QDR II+ performance specifications are for burst-length 4 (BL = 4) implementations.

FPGA Logic Switching Characteristics

Table 24, high-performance IOB (HP), summarizes the values of standard-specific data input delay adjustments, output delays terminating at pads (based on standard) and 3-state delays.

- $T_{INBUF_DELAY_PAD_I}$ is the delay from IOB pad through the input buffer to the I-pin of an IOB pad. The delay varies depending on the capability of the SelectIO input buffer.
- $T_{OUTBUF_DELAY_O_PAD}$ is the delay from the O pin to the IOB pad through the output buffer of an IOB pad. The delay varies depending on the capability of the SelectIO output buffer.
- $T_{OUTBUF_DELAY_TD_PAD}$ is the delay from the T pin to the IOB pad through the output buffer of an IOB pad, when 3-state is disabled. The delay varies depending on the SelectIO capability of the output buffer. In HP I/O banks, the internal DCI termination turn-on time is always faster than $T_{OUTBUF_DELAY_TD_PAD}$ when the DCITERMDISABLE pin is used.

IOB High Performance (HP) Switching Characteristics

Table 24: IOB High Performance (HP) Switching Characteristics

I/O Standards	$T_{INBUF_DELAY_PAD_I}$				$T_{OUTBUF_DELAY_O_PAD}$			$T_{OUTBUF_DELAY_TD_PAD}$				Units	
	0.90V		0.85V		0.72V		0.90V		0.85V		0.72V		
	-3	-2	-1	-2	-3	-2	-1	-2	-3	-2	-1		-2
DIFF_HSTL_I_12_F	0.394	0.394	0.402	0.394	0.423	0.423	0.443	0.423	0.553	0.553	0.582	0.553	ns
DIFF_HSTL_I_12_M	0.394	0.394	0.402	0.394	0.552	0.552	0.583	0.552	0.641	0.641	0.679	0.641	ns
DIFF_HSTL_I_12_S	0.394	0.394	0.402	0.394	0.752	0.752	0.800	0.752	0.813	0.813	0.868	0.813	ns
DIFF_HSTL_I_18_F	0.319	0.319	0.339	0.319	0.456	0.456	0.474	0.456	0.576	0.576	0.606	0.576	ns
DIFF_HSTL_I_18_M	0.319	0.319	0.339	0.319	0.570	0.570	0.603	0.570	0.653	0.653	0.692	0.653	ns
DIFF_HSTL_I_18_S	0.319	0.319	0.339	0.319	0.782	0.782	0.834	0.782	0.816	0.816	0.871	0.816	ns
DIFF_HSTL_I_DCI_12_F	0.394	0.394	0.402	0.394	0.406	0.406	0.429	0.406	0.534	0.534	0.564	0.534	ns
DIFF_HSTL_I_DCI_12_M	0.394	0.394	0.402	0.394	0.557	0.557	0.587	0.557	0.653	0.653	0.694	0.653	ns
DIFF_HSTL_I_DCI_12_S	0.394	0.394	0.402	0.394	0.755	0.755	0.806	0.755	0.842	0.842	0.907	0.842	ns
DIFF_HSTL_I_DCI_18_F	0.323	0.323	0.339	0.323	0.445	0.445	0.461	0.445	0.566	0.566	0.595	0.566	ns
DIFF_HSTL_I_DCI_18_M	0.323	0.323	0.339	0.323	0.555	0.555	0.586	0.555	0.643	0.643	0.684	0.643	ns
DIFF_HSTL_I_DCI_18_S	0.323	0.323	0.339	0.323	0.762	0.762	0.818	0.762	0.836	0.836	0.900	0.836	ns
DIFF_HSTL_I_DCI_F	0.397	0.397	0.417	0.397	0.431	0.431	0.445	0.431	0.555	0.555	0.575	0.555	ns
DIFF_HSTL_I_DCI_M	0.397	0.397	0.417	0.397	0.553	0.553	0.583	0.553	0.644	0.644	0.684	0.644	ns
DIFF_HSTL_I_DCI_S	0.397	0.397	0.417	0.397	0.767	0.767	0.823	0.767	0.848	0.848	0.912	0.848	ns
DIFF_HSTL_I_F	0.404	0.404	0.417	0.404	0.423	0.423	0.443	0.423	0.549	0.549	0.581	0.549	ns
DIFF_HSTL_I_M	0.404	0.404	0.417	0.404	0.555	0.555	0.586	0.555	0.640	0.640	0.677	0.640	ns
DIFF_HSTL_I_S	0.404	0.404	0.417	0.404	0.767	0.767	0.818	0.767	0.811	0.811	0.866	0.811	ns
DIFF_HSUL_12_DCI_F	0.381	0.381	0.400	0.381	0.425	0.425	0.443	0.425	0.558	0.558	0.586	0.558	ns
DIFF_HSUL_12_DCI_M	0.381	0.381	0.400	0.381	0.557	0.557	0.587	0.557	0.653	0.653	0.694	0.653	ns
DIFF_HSUL_12_DCI_S	0.381	0.381	0.400	0.381	0.737	0.737	0.787	0.737	0.822	0.822	0.885	0.822	ns
DIFF_HSUL_12_F	0.394	0.394	0.402	0.394	0.412	0.412	0.430	0.412	0.538	0.538	0.566	0.538	ns
DIFF_HSUL_12_M	0.394	0.394	0.402	0.394	0.552	0.552	0.583	0.552	0.641	0.641	0.679	0.641	ns
DIFF_HSUL_12_S	0.394	0.394	0.402	0.394	0.752	0.752	0.800	0.752	0.813	0.813	0.868	0.813	ns

Table 24: IOB High Performance (HP) Switching Characteristics (Cont'd)

I/O Standards	T _{INBUF_DELAY_PAD_I}				T _{OUTBUF_DELAY_O_PAD}				T _{OUTBUF_DELAY_TD_PAD}				Units
	0.90V		0.85V		0.72V		0.90V		0.85V		0.72V		
	-3	-2	-1	-2	-3	-2	-1	-2	-3	-2	-1	-2	
DIFF_POD10_DCI_F	0.411	0.411	0.430	0.411	0.425	0.425	0.444	0.425	0.555	0.555	0.584	0.555	ns
DIFF_POD10_DCI_M	0.411	0.411	0.430	0.411	0.542	0.542	0.571	0.542	0.640	0.640	0.681	0.640	ns
DIFF_POD10_DCI_S	0.411	0.411	0.430	0.411	0.754	0.754	0.815	0.754	0.850	0.850	0.917	0.850	ns
DIFF_POD10_F	0.411	0.411	0.433	0.411	0.438	0.438	0.459	0.438	0.569	0.569	0.601	0.569	ns
DIFF_POD10_M	0.411	0.411	0.433	0.411	0.538	0.538	0.568	0.538	0.630	0.630	0.667	0.630	ns
DIFF_POD10_S	0.411	0.411	0.433	0.411	0.766	0.766	0.821	0.766	0.836	0.836	0.894	0.836	ns
DIFF_POD12_DCI_F	0.407	0.407	0.432	0.407	0.425	0.425	0.443	0.425	0.558	0.558	0.586	0.558	ns
DIFF_POD12_DCI_M	0.407	0.407	0.432	0.407	0.543	0.543	0.572	0.543	0.638	0.638	0.678	0.638	ns
DIFF_POD12_DCI_S	0.407	0.407	0.432	0.407	0.772	0.772	0.822	0.772	0.862	0.862	0.929	0.862	ns
DIFF_POD12_F	0.409	0.409	0.430	0.409	0.455	0.455	0.476	0.455	0.595	0.595	0.626	0.595	ns
DIFF_POD12_M	0.409	0.409	0.430	0.409	0.551	0.551	0.582	0.551	0.641	0.641	0.679	0.641	ns
DIFF_POD12_S	0.409	0.409	0.430	0.409	0.767	0.767	0.817	0.767	0.832	0.832	0.889	0.832	ns
DIFF_SSTL12_DCI_F	0.381	0.381	0.400	0.381	0.425	0.425	0.443	0.425	0.558	0.558	0.586	0.558	ns
DIFF_SSTL12_DCI_M	0.381	0.381	0.400	0.381	0.557	0.557	0.587	0.557	0.654	0.654	0.694	0.654	ns
DIFF_SSTL12_DCI_S	0.381	0.381	0.400	0.381	0.754	0.754	0.803	0.754	0.842	0.842	0.908	0.842	ns
DIFF_SSTL12_F	0.394	0.394	0.402	0.394	0.412	0.412	0.430	0.412	0.538	0.538	0.566	0.538	ns
DIFF_SSTL12_M	0.394	0.394	0.402	0.394	0.553	0.553	0.584	0.553	0.641	0.641	0.676	0.641	ns
DIFF_SSTL12_S	0.394	0.394	0.402	0.394	0.758	0.758	0.808	0.758	0.823	0.823	0.879	0.823	ns
DIFF_SSTL135_DCI_F	0.371	0.371	0.402	0.371	0.411	0.411	0.428	0.411	0.537	0.537	0.565	0.537	ns
DIFF_SSTL135_DCI_M	0.371	0.371	0.402	0.371	0.551	0.551	0.582	0.551	0.645	0.645	0.685	0.645	ns
DIFF_SSTL135_DCI_S	0.371	0.371	0.402	0.371	0.746	0.746	0.799	0.746	0.829	0.829	0.893	0.829	ns
DIFF_SSTL135_F	0.375	0.375	0.402	0.375	0.408	0.408	0.428	0.408	0.528	0.528	0.561	0.528	ns
DIFF_SSTL135_M	0.375	0.375	0.402	0.375	0.555	0.555	0.585	0.555	0.641	0.641	0.679	0.641	ns
DIFF_SSTL135_S	0.375	0.375	0.402	0.375	0.772	0.772	0.823	0.772	0.827	0.827	0.878	0.827	ns
DIFF_SSTL15_DCI_F	0.397	0.397	0.417	0.397	0.412	0.412	0.429	0.412	0.531	0.531	0.563	0.531	ns
DIFF_SSTL15_DCI_M	0.397	0.397	0.417	0.397	0.553	0.553	0.583	0.553	0.645	0.645	0.685	0.645	ns
DIFF_SSTL15_DCI_S	0.397	0.397	0.417	0.397	0.768	0.768	0.822	0.768	0.847	0.847	0.912	0.847	ns
DIFF_SSTL15_F	0.404	0.404	0.417	0.404	0.424	0.424	0.445	0.424	0.551	0.551	0.577	0.551	ns
DIFF_SSTL15_M	0.404	0.404	0.417	0.404	0.554	0.554	0.585	0.554	0.639	0.639	0.677	0.639	ns
DIFF_SSTL15_S	0.404	0.404	0.417	0.404	0.767	0.767	0.817	0.767	0.813	0.813	0.867	0.813	ns
DIFF_SSTL18_I_DCI_F	0.320	0.320	0.336	0.320	0.445	0.445	0.461	0.445	0.566	0.566	0.595	0.566	ns
DIFF_SSTL18_I_DCI_M	0.320	0.320	0.336	0.320	0.554	0.554	0.585	0.554	0.644	0.644	0.683	0.644	ns
DIFF_SSTL18_I_DCI_S	0.320	0.320	0.336	0.320	0.762	0.762	0.818	0.762	0.837	0.837	0.899	0.837	ns
DIFF_SSTL18_I_F	0.316	0.316	0.336	0.316	0.454	0.454	0.476	0.454	0.578	0.578	0.608	0.578	ns
DIFF_SSTL18_I_M	0.316	0.316	0.336	0.316	0.571	0.571	0.603	0.571	0.652	0.652	0.692	0.652	ns
DIFF_SSTL18_I_S	0.316	0.316	0.336	0.316	0.782	0.782	0.835	0.782	0.816	0.816	0.870	0.816	ns
HSLVDCI_15_F	0.393	0.393	0.415	0.393	0.425	0.425	0.443	0.425	0.548	0.548	0.579	0.548	ns
HSLVDCI_15_M	0.393	0.393	0.415	0.393	0.552	0.552	0.581	0.552	0.644	0.644	0.684	0.644	ns
HSLVDCI_15_S	0.393	0.393	0.415	0.393	0.748	0.748	0.802	0.748	0.827	0.827	0.890	0.827	ns
HSLVDCI_18_F	0.424	0.424	0.447	0.424	0.445	0.445	0.461	0.445	0.566	0.566	0.595	0.566	ns
HSLVDCI_18_M	0.424	0.424	0.447	0.424	0.567	0.567	0.598	0.567	0.658	0.658	0.699	0.658	ns

Table 24: IOB High Performance (HP) Switching Characteristics (Cont'd)

I/O Standards	T _{INBUF_DELAY_PAD_I}				T _{OUTBUF_DELAY_O_PAD}				T _{OUTBUF_DELAY_TD_PAD}				Units
	0.90V		0.85V		0.72V		0.90V		0.85V		0.72V		
	-3	-2	-1	-2	-3	-2	-1	-2	-3	-2	-1	-2	
HSLVDCI_18_S	0.424	0.424	0.447	0.424	0.761	0.761	0.817	0.761	0.836	0.836	0.900	0.836	ns
HSTL_I_12_F	0.378	0.378	0.399	0.378	0.423	0.423	0.443	0.423	0.553	0.553	0.582	0.553	ns
HSTL_I_12_M	0.378	0.378	0.399	0.378	0.551	0.551	0.582	0.551	0.642	0.642	0.679	0.642	ns
HSTL_I_12_S	0.378	0.378	0.399	0.378	0.750	0.750	0.799	0.750	0.813	0.813	0.868	0.813	ns
HSTL_I_18_F	0.322	0.322	0.339	0.322	0.456	0.456	0.474	0.456	0.576	0.576	0.606	0.576	ns
HSTL_I_18_M	0.322	0.322	0.339	0.322	0.569	0.569	0.602	0.569	0.653	0.653	0.692	0.653	ns
HSTL_I_18_S	0.322	0.322	0.339	0.322	0.781	0.781	0.833	0.781	0.816	0.816	0.871	0.816	ns
HSTL_I_DCI_12_F	0.378	0.378	0.399	0.378	0.406	0.406	0.429	0.406	0.534	0.534	0.564	0.534	ns
HSTL_I_DCI_12_M	0.378	0.378	0.399	0.378	0.556	0.556	0.586	0.556	0.654	0.654	0.694	0.654	ns
HSTL_I_DCI_12_S	0.378	0.378	0.399	0.378	0.754	0.754	0.803	0.754	0.842	0.842	0.907	0.842	ns
HSTL_I_DCI_18_F	0.321	0.321	0.339	0.321	0.445	0.445	0.461	0.445	0.566	0.566	0.595	0.566	ns
HSTL_I_DCI_18_M	0.321	0.321	0.339	0.321	0.554	0.554	0.585	0.554	0.643	0.643	0.684	0.643	ns
HSTL_I_DCI_18_S	0.321	0.321	0.339	0.321	0.761	0.761	0.817	0.761	0.836	0.836	0.900	0.836	ns
HSTL_I_DCI_F	0.393	0.393	0.415	0.393	0.431	0.431	0.445	0.431	0.555	0.555	0.575	0.555	ns
HSTL_I_DCI_M	0.393	0.393	0.415	0.393	0.552	0.552	0.581	0.552	0.644	0.644	0.684	0.644	ns
HSTL_I_DCI_S	0.393	0.393	0.415	0.393	0.766	0.766	0.821	0.766	0.847	0.847	0.912	0.847	ns
HSTL_I_F	0.378	0.378	0.399	0.378	0.423	0.423	0.443	0.423	0.549	0.549	0.581	0.549	ns
HSTL_I_M	0.378	0.378	0.399	0.378	0.554	0.554	0.585	0.554	0.640	0.640	0.677	0.640	ns
HSTL_I_S	0.378	0.378	0.399	0.378	0.766	0.766	0.816	0.766	0.811	0.811	0.866	0.811	ns
HSUL_12_DCI_F	0.378	0.378	0.399	0.378	0.425	0.425	0.443	0.425	0.558	0.558	0.586	0.558	ns
HSUL_12_DCI_M	0.378	0.378	0.399	0.378	0.556	0.556	0.586	0.556	0.654	0.654	0.694	0.654	ns
HSUL_12_DCI_S	0.378	0.378	0.399	0.378	0.736	0.736	0.784	0.736	0.821	0.821	0.886	0.821	ns
HSUL_12_F	0.378	0.378	0.399	0.378	0.412	0.412	0.430	0.412	0.538	0.538	0.566	0.538	ns
HSUL_12_M	0.378	0.378	0.399	0.378	0.551	0.551	0.582	0.551	0.642	0.642	0.679	0.642	ns
HSUL_12_S	0.378	0.378	0.399	0.378	0.750	0.750	0.799	0.750	0.813	0.813	0.868	0.813	ns
LVC MOS12_F_2	0.512	0.512	0.555	0.512	0.672	0.672	0.692	0.672	0.898	0.898	0.922	0.898	ns
LVC MOS12_F_4	0.512	0.512	0.555	0.512	0.504	0.504	0.521	0.504	0.664	0.664	0.693	0.664	ns
LVC MOS12_F_6	0.512	0.512	0.555	0.512	0.485	0.485	0.507	0.485	0.634	0.634	0.669	0.634	ns
LVC MOS12_F_8	0.512	0.512	0.555	0.512	0.465	0.465	0.489	0.465	0.611	0.611	0.666	0.611	ns
LVC MOS12_M_2	0.512	0.512	0.555	0.512	0.708	0.708	0.727	0.708	0.916	0.916	0.945	0.916	ns
LVC MOS12_M_4	0.512	0.512	0.555	0.512	0.550	0.550	0.573	0.550	0.664	0.664	0.690	0.664	ns
LVC MOS12_M_6	0.512	0.512	0.555	0.512	0.527	0.527	0.554	0.527	0.622	0.622	0.652	0.622	ns
LVC MOS12_M_8	0.512	0.512	0.555	0.512	0.540	0.540	0.571	0.540	0.614	0.614	0.649	0.614	ns
LVC MOS12_S_2	0.512	0.512	0.555	0.512	0.767	0.767	0.803	0.767	0.990	0.990	1.024	0.990	ns
LVC MOS12_S_4	0.512	0.512	0.555	0.512	0.666	0.666	0.704	0.666	0.803	0.803	0.848	0.803	ns
LVC MOS12_S_6	0.512	0.512	0.555	0.512	0.657	0.657	0.695	0.657	0.732	0.732	0.774	0.732	ns
LVC MOS12_S_8	0.512	0.512	0.555	0.512	0.708	0.708	0.761	0.708	0.745	0.745	0.790	0.745	ns
LVC MOS15_F_12	0.414	0.414	0.445	0.414	0.500	0.500	0.522	0.500	0.647	0.647	0.682	0.647	ns
LVC MOS15_F_2	0.414	0.414	0.445	0.414	0.702	0.702	0.722	0.702	0.919	0.919	0.940	0.919	ns
LVC MOS15_F_4	0.414	0.414	0.445	0.414	0.579	0.579	0.601	0.579	0.755	0.755	0.781	0.755	ns
LVC MOS15_F_6	0.414	0.414	0.445	0.414	0.547	0.547	0.569	0.547	0.711	0.711	0.742	0.711	ns

Table 24: IOB High Performance (HP) Switching Characteristics (Cont'd)

I/O Standards	T _{INBUF_DELAY_PAD_I}				T _{OUTBUF_DELAY_O_PAD}				T _{OUTBUF_DELAY_TD_PAD}				Units
	0.90V		0.85V		0.72V		0.90V		0.85V		0.72V		
	-3	-2	-1	-2	-3	-2	-1	-2	-3	-2	-1	-2	
LVC MOS15_F_8	0.414	0.414	0.445	0.414	0.518	0.518	0.538	0.518	0.686	0.686	0.703	0.686	ns
LVC MOS15_M_12	0.414	0.414	0.445	0.414	0.607	0.607	0.644	0.607	0.637	0.637	0.676	0.637	ns
LVC MOS15_M_2	0.414	0.414	0.445	0.414	0.741	0.741	0.770	0.741	0.938	0.938	0.962	0.938	ns
LVC MOS15_M_4	0.414	0.414	0.445	0.414	0.625	0.625	0.651	0.625	0.754	0.754	0.786	0.754	ns
LVC MOS15_M_6	0.414	0.414	0.445	0.414	0.576	0.576	0.604	0.576	0.674	0.674	0.710	0.674	ns
LVC MOS15_M_8	0.414	0.414	0.445	0.414	0.568	0.568	0.601	0.568	0.639	0.639	0.681	0.639	ns
LVC MOS15_S_12	0.414	0.414	0.445	0.414	0.788	0.788	0.855	0.788	0.695	0.695	0.733	0.695	ns
LVC MOS15_S_2	0.414	0.414	0.445	0.414	0.829	0.829	0.864	0.829	1.039	1.039	1.079	1.039	ns
LVC MOS15_S_4	0.414	0.414	0.445	0.414	0.687	0.687	0.725	0.687	0.813	0.813	0.851	0.813	ns
LVC MOS15_S_6	0.414	0.414	0.445	0.414	0.671	0.671	0.710	0.671	0.726	0.726	0.763	0.726	ns
LVC MOS15_S_8	0.414	0.414	0.445	0.414	0.704	0.704	0.755	0.704	0.721	0.721	0.758	0.721	ns
LVC MOS18_F_12	0.418	0.418	0.445	0.418	0.573	0.573	0.601	0.573	0.731	0.731	0.769	0.731	ns
LVC MOS18_F_2	0.418	0.418	0.445	0.418	0.739	0.739	0.760	0.739	0.945	0.945	0.971	0.945	ns
LVC MOS18_F_4	0.418	0.418	0.445	0.418	0.609	0.609	0.630	0.609	0.778	0.778	0.802	0.778	ns
LVC MOS18_F_6	0.418	0.418	0.445	0.418	0.603	0.603	0.633	0.603	0.781	0.781	0.808	0.781	ns
LVC MOS18_F_8	0.418	0.418	0.445	0.418	0.573	0.573	0.600	0.573	0.733	0.733	0.767	0.733	ns
LVC MOS18_M_12	0.418	0.418	0.445	0.418	0.640	0.640	0.678	0.640	0.670	0.670	0.709	0.670	ns
LVC MOS18_M_2	0.418	0.418	0.445	0.418	0.798	0.798	0.822	0.798	0.991	0.991	1.016	0.991	ns
LVC MOS18_M_4	0.418	0.418	0.445	0.418	0.664	0.664	0.693	0.664	0.798	0.798	0.836	0.798	ns
LVC MOS18_M_6	0.418	0.418	0.445	0.418	0.629	0.629	0.663	0.629	0.735	0.735	0.775	0.735	ns
LVC MOS18_M_8	0.418	0.418	0.445	0.418	0.626	0.626	0.661	0.626	0.705	0.705	0.746	0.705	ns
LVC MOS18_S_12	0.418	0.418	0.445	0.418	0.795	0.795	0.861	0.795	0.683	0.683	0.721	0.683	ns
LVC MOS18_S_2	0.418	0.418	0.445	0.418	0.862	0.862	0.897	0.862	1.076	1.076	1.098	1.076	ns
LVC MOS18_S_4	0.418	0.418	0.445	0.418	0.716	0.716	0.758	0.716	0.829	0.829	0.872	0.829	ns
LVC MOS18_S_6	0.418	0.418	0.445	0.418	0.682	0.682	0.724	0.682	0.724	0.724	0.762	0.724	ns
LVC MOS18_S_8	0.418	0.418	0.445	0.418	0.707	0.707	0.760	0.707	0.709	0.709	0.745	0.709	ns
LVDCI_15_F	0.425	0.425	0.462	0.425	0.426	0.426	0.443	0.426	0.548	0.548	0.581	0.548	ns
LVDCI_15_M	0.425	0.425	0.462	0.425	0.553	0.553	0.582	0.553	0.645	0.645	0.685	0.645	ns
LVDCI_15_S	0.425	0.425	0.462	0.425	0.749	0.749	0.803	0.749	0.821	0.821	0.890	0.821	ns
LVDCI_18_F	0.414	0.414	0.447	0.414	0.441	0.441	0.459	0.441	0.560	0.560	0.589	0.560	ns
LVDCI_18_M	0.414	0.414	0.447	0.414	0.554	0.554	0.585	0.554	0.644	0.644	0.683	0.644	ns
LVDCI_18_S	0.414	0.414	0.447	0.414	0.760	0.760	0.818	0.760	0.837	0.837	0.899	0.837	ns
LVDS	0.539	0.539	0.620	0.539	0.626	0.626	0.662	0.626	960.447	960.447	960.447	960.447	ns
MIPI_DPHY_DCI_HS	0.386	0.386	0.415	0.386	0.502	0.502	0.522	0.502	N/A	N/A	N/A	N/A	ns
MIPI_DPHY_DCI_LP	8.438	8.438	8.792	8.438	0.914	0.914	0.937	0.914	N/A	N/A	N/A	N/A	ns
POD10_DCI_F	0.408	0.408	0.430	0.408	0.425	0.425	0.444	0.425	0.555	0.555	0.584	0.555	ns
POD10_DCI_M	0.408	0.408	0.430	0.408	0.542	0.542	0.571	0.542	0.640	0.640	0.681	0.640	ns
POD10_DCI_S	0.408	0.408	0.430	0.408	0.754	0.754	0.815	0.754	0.850	0.850	0.917	0.850	ns
POD10_F	0.407	0.407	0.430	0.407	0.438	0.438	0.459	0.438	0.569	0.569	0.601	0.569	ns
POD10_M	0.407	0.407	0.430	0.407	0.538	0.538	0.568	0.538	0.630	0.630	0.667	0.630	ns
POD10_S	0.407	0.407	0.430	0.407	0.766	0.766	0.821	0.766	0.836	0.836	0.894	0.836	ns

Table 24: IOB High Performance (HP) Switching Characteristics (Cont'd)

I/O Standards	T _{INBUF_DELAY_PAD_I}				T _{OUTBUF_DELAY_O_PAD}				T _{OUTBUF_DELAY_TD_PAD}				Units
	0.90V		0.85V		0.72V		0.90V		0.85V		0.72V		
	-3	-2	-1	-2	-3	-2	-1	-2	-3	-2	-1	-2	
POD12_DCI_F	0.409	0.409	0.431	0.409	0.425	0.425	0.443	0.425	0.558	0.558	0.586	0.558	ns
POD12_DCI_M	0.409	0.409	0.431	0.409	0.543	0.543	0.572	0.543	0.638	0.638	0.678	0.638	ns
POD12_DCI_S	0.409	0.409	0.431	0.409	0.772	0.772	0.822	0.772	0.862	0.862	0.929	0.862	ns
POD12_F	0.409	0.409	0.431	0.409	0.455	0.455	0.476	0.455	0.595	0.595	0.626	0.595	ns
POD12_M	0.409	0.409	0.431	0.409	0.551	0.551	0.582	0.551	0.641	0.641	0.679	0.641	ns
POD12_S	0.409	0.409	0.431	0.409	0.767	0.767	0.817	0.767	0.832	0.832	0.889	0.832	ns
SLVS_400_18	0.539	0.539	0.620	0.539	N/A	N/A	N/A	N/A	N/A	N/A	N/A	N/A	ns
SSTL12_DCI_F	0.381	0.381	0.399	0.381	0.425	0.425	0.443	0.425	0.558	0.558	0.586	0.558	ns
SSTL12_DCI_M	0.381	0.381	0.399	0.381	0.557	0.557	0.587	0.557	0.654	0.654	0.694	0.654	ns
SSTL12_DCI_S	0.381	0.381	0.399	0.381	0.754	0.754	0.803	0.754	0.842	0.842	0.908	0.842	ns
SSTL12_F	0.403	0.403	0.403	0.403	0.412	0.412	0.430	0.412	0.538	0.538	0.566	0.538	ns
SSTL12_M	0.403	0.403	0.403	0.403	0.553	0.553	0.584	0.553	0.641	0.641	0.676	0.641	ns
SSTL12_S	0.403	0.403	0.403	0.403	0.758	0.758	0.808	0.758	0.823	0.823	0.879	0.823	ns
SSTL135_DCI_F	0.366	0.366	0.399	0.366	0.411	0.411	0.428	0.411	0.537	0.537	0.565	0.537	ns
SSTL135_DCI_M	0.366	0.366	0.399	0.366	0.551	0.551	0.582	0.551	0.645	0.645	0.685	0.645	ns
SSTL135_DCI_S	0.366	0.366	0.399	0.366	0.746	0.746	0.799	0.746	0.829	0.829	0.893	0.829	ns
SSTL135_F	0.378	0.378	0.399	0.378	0.408	0.408	0.428	0.408	0.528	0.528	0.561	0.528	ns
SSTL135_M	0.378	0.378	0.399	0.378	0.555	0.555	0.585	0.555	0.641	0.641	0.679	0.641	ns
SSTL135_S	0.378	0.378	0.399	0.378	0.772	0.772	0.823	0.772	0.827	0.827	0.878	0.827	ns
SSTL15_DCI_F	0.402	0.402	0.417	0.402	0.412	0.412	0.429	0.412	0.531	0.531	0.563	0.531	ns
SSTL15_DCI_M	0.402	0.402	0.417	0.402	0.553	0.553	0.583	0.553	0.645	0.645	0.685	0.645	ns
SSTL15_DCI_S	0.402	0.402	0.417	0.402	0.768	0.768	0.822	0.768	0.847	0.847	0.912	0.847	ns
SSTL15_F	0.371	0.371	0.400	0.371	0.408	0.408	0.428	0.408	0.530	0.530	0.556	0.530	ns
SSTL15_M	0.371	0.371	0.400	0.371	0.554	0.554	0.585	0.554	0.639	0.639	0.677	0.639	ns
SSTL15_S	0.371	0.371	0.400	0.371	0.767	0.767	0.817	0.767	0.813	0.813	0.867	0.813	ns
SSTL18_I_DCI_F	0.329	0.329	0.336	0.329	0.445	0.445	0.461	0.445	0.566	0.566	0.595	0.566	ns
SSTL18_I_DCI_M	0.329	0.329	0.336	0.329	0.554	0.554	0.585	0.554	0.644	0.644	0.683	0.644	ns
SSTL18_I_DCI_S	0.329	0.329	0.336	0.329	0.762	0.762	0.818	0.762	0.837	0.837	0.899	0.837	ns
SSTL18_I_F	0.316	0.316	0.337	0.316	0.454	0.454	0.476	0.454	0.578	0.578	0.608	0.578	ns
SSTL18_I_M	0.316	0.316	0.337	0.316	0.571	0.571	0.603	0.571	0.652	0.652	0.692	0.652	ns
SSTL18_I_S	0.316	0.316	0.337	0.316	0.782	0.782	0.835	0.782	0.816	0.816	0.870	0.816	ns
SUB_LVDS	0.539	0.539	0.620	0.539	0.660	0.660	0.692	0.660	969.863	969.863	969.863	969.863	ns

IOB 3-state Output Switching Characteristics

Table 25 specifies the values of $T_{\text{OUTBUF_DELAY_TE_PAD}}$ and $T_{\text{INBUF_DELAY_IBUFDIS_O}}$. $T_{\text{OUTBUF_DELAY_TE_PAD}}$ is the delay from the T pin to the IOB pad through the output buffer of an IOB pad, when 3-state is enabled (i.e., a high impedance state). $T_{\text{INBUF_DELAY_IBUFDIS_O}}$ is the IOB delay from IBUFDISABLE to O output. In HP I/O banks, the internal DCI termination turn-off time is always faster than $T_{\text{OUTBUF_DELAY_TE_PAD}}$ when the DCITERMDISABLE pin is used.

Table 25: IOB 3-state Output Switching Characteristics

Symbol	Description	Speed Grade and V_{CCINT} Operating Voltages				Units
		0.90V	0.85V		0.72V	
		-3	-2	-1	-2	
$T_{\text{OUTBUF_DELAY_TE_PAD}}$	T input to pad high-impedance for the I/O banks	5.330	5.330	5.341	5.330	ns
$T_{\text{INBUF_DELAY_IBUFDIS_O}}$	IBUF turn-on time from IBUFDISABLE to O output for the I/O banks	0.936	0.936	1.037	0.936	ns

Input Delay Measurement Methodology

Table 26 shows the test setup parameters used for measuring input delay.

Table 26: Input Delay Measurement Methodology

Description	I/O Standard Attribute	$V_L^{(1)(2)}$	$V_H^{(1)(2)}$	$V_{\text{MEAS}}^{(1)(4)(6)}$	$V_{\text{REF}}^{(1)(3)(5)}$
LVC MOS, 1.2V	LVC MOS12	0.1	1.1	0.6	–
LVC MOS, LVDCI, HSLVDCI, 1.5V	LVC MOS15, LVDCI_15, HSLVDCI_15	0.1	1.4	0.75	–
LVC MOS, LVDCI, HSLVDCI, 1.8V	LVC MOS18, LVDCI_18, HSLVDCI_18	0.1	1.7	0.9	–
HSTL (high-speed transceiver logic), class I, 1.2V	HSTL_I_12	$V_{\text{REF}} - 0.25$	$V_{\text{REF}} + 0.25$	V_{REF}	0.6
HSTL, class I, 1.5V	HSTL_I	$V_{\text{REF}} - 0.325$	$V_{\text{REF}} + 0.325$	V_{REF}	0.75
HSTL, class I, 1.8V	HSTL_I_18	$V_{\text{REF}} - 0.4$	$V_{\text{REF}} + 0.4$	V_{REF}	0.9
HSUL (high-speed unterminated logic), 1.2V	HSUL_12	$V_{\text{REF}} - 0.25$	$V_{\text{REF}} + 0.25$	V_{REF}	0.6
SSTL12 (stub series terminated logic), 1.2V	SSTL12	$V_{\text{REF}} - 0.25$	$V_{\text{REF}} + 0.25$	V_{REF}	0.6
SSTL135 and SSTL135 class II, 1.35V	SSTL135, SSTL135_II	$V_{\text{REF}} - 0.2875$	$V_{\text{REF}} + 0.2875$	V_{REF}	0.675
SSTL15 and SSTL15 class II, 1.5V	SSTL15, SSTL15_II	$V_{\text{REF}} - 0.325$	$V_{\text{REF}} + 0.325$	V_{REF}	0.75
SSTL18, class I and II, 1.8V	SSTL18_I, SSTL18_II	$V_{\text{REF}} - 0.4$	$V_{\text{REF}} + 0.4$	V_{REF}	0.9
POD10, 1.0V	POD10	$V_{\text{REF}} - 0.2$	$V_{\text{REF}} + 0.2$	V_{REF}	0.7
POD12, 1.2V	POD12	$V_{\text{REF}} - 0.24$	$V_{\text{REF}} + 0.24$	V_{REF}	0.84
DIFF_HSTL, class I, 1.2V	DIFF_HSTL_I_12	$0.6 - 0.25$	$0.6 + 0.25$	0 ⁽⁶⁾	–
DIFF_HSTL, class I, 1.5V	DIFF_HSTL_I	$0.75 - 0.325$	$0.75 + 0.325$	0 ⁽⁶⁾	–
DIFF_HSTL, class I, 1.8V	DIFF_HSTL_I_18	$0.9 - 0.4$	$0.9 + 0.4$	0 ⁽⁶⁾	–

Table 26: Input Delay Measurement Methodology (Cont'd)

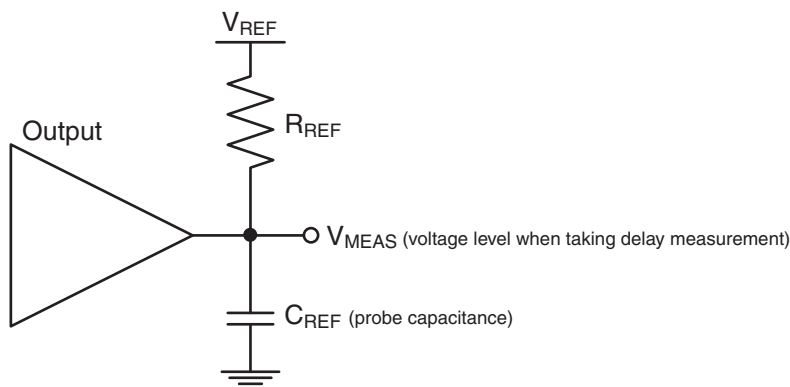
Description	I/O Standard Attribute	$V_L^{(1)(2)}$	$V_H^{(1)(2)}$	$V_{MEAS}^{(1)(4)(6)}$	$V_{REF}^{(1)(3)(5)}$
DIFF_HSUL, 1.2V	DIFF_HSUL_12	0.6 – 0.25	0.6 + 0.25	0 ⁽⁶⁾	–
DIFF_SSTL, 1.2V	DIFF_SSTL12	0.6 – 0.25	0.6 + 0.25	0 ⁽⁶⁾	–
DIFF_SSTL135 and DIFF_SSTL135 class II, 1.35V	DIFF_SSTL135, DIFF_SSTL135_II	0.675 – 0.2875	0.675 + 0.2875	0 ⁽⁶⁾	–
DIFF_SSTL15 and DIFF_SSTL15 class II, 1.5V	DIFF_SSTL15, DIFF_SSTL15_II	0.75 – 0.325	0.75 + 0.325	0 ⁽⁶⁾	–
DIFF_SSTL18_I, DIFF_SSTL18_II, 1.8V	DIFF_SSTL18_I, DIFF_SSTL18_II	0.9 – 0.4	0.9 + 0.4	0 ⁽⁶⁾	–
DIFF_POD10, 1.0V	DIFF_POD10	0.5 – 0.2	0.5 + 0.2	0 ⁽⁶⁾	–
DIFF_POD12, 1.2V	DIFF_POD12	0.6 – 0.25	0.6 + 0.25	0 ⁽⁶⁾	–
LVDS (low-voltage differential signaling), 1.8V	LVDS	0.9 – 0.125	0.9 + 0.125	0 ⁽⁶⁾	–
SUB_LVDS, 1.8V	SUB_LVDS	0.9 – 0.125	0.9 + 0.125	0 ⁽⁶⁾	–
SLVS, 1.8V	SLVS_400_18	0.9 – 0.125	0.9 + 0.125	0 ⁽⁶⁾	–
MIPI D-PHY (high speed) 1.2V	MIPI_DPHY_DCI_HS	0.2 – 0.125	0.2 + 0.125	0 ⁽⁶⁾	–
MIPI D-PHY (low power) 1.2V	MIPI_DPHY_DCI_LP	0.715 – 0.2	0.715 + 0.2	0 ⁽⁶⁾	–

Notes:

1. The input delay measurement methodology parameters for LVDCI/HSLVDCI are the same for LVCMOS standards of the same voltage. Parameters for all other DCI standards are the same for the corresponding non-DCI standards.
2. Input waveform switches between V_L and V_H .
3. Measurements are made at typical, minimum, and maximum V_{REF} values. Reported delays reflect worst case of these measurements. V_{REF} values listed are typical.
4. Input voltage level from which measurement starts.
5. This is an input voltage reference that bears no relation to the V_{REF}/V_{MEAS} parameters found in IBIS models and/or noted in Figure 1.
6. The value given is the differential input voltage.

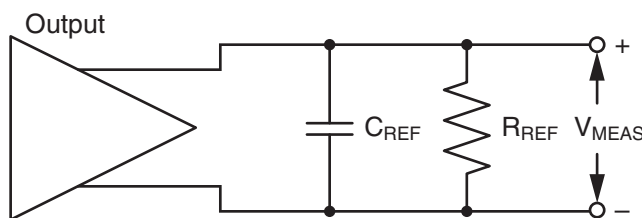
Output Delay Measurement Methodology

Output delays are measured with short output traces. Standard termination was used for all testing. The propagation delay of the trace is characterized separately and subtracted from the final measurement, and is therefore not included in the generalized test setups shown in [Figure 1](#) and [Figure 2](#).



ds923_01_041816

Figure 1: Single-Ended Test Setup



ds923_02_041816

Figure 2: Differential Test Setup

Parameters V_{REF} , R_{REF} , C_{REF} , and V_{MEAS} fully describe the test conditions for each I/O standard. The most accurate prediction of propagation delay in any given application can be obtained through IBIS simulation, using this method:

1. Simulate the output driver of choice into the generalized test setup using values from [Table 27](#).
2. Record the time to V_{MEAS} .
3. Simulate the output driver of choice into the actual PCB trace and load using the appropriate IBIS model or capacitance value to represent the load.
4. Record the time to V_{MEAS} .
5. Compare the results of [step 2](#) and [step 4](#). The increase or decrease in delay yields the actual propagation delay of the PCB trace.

Table 27: Output Delay Measurement Methodology

Description	I/O Standard Attribute	R _{REF} (Ω)	C _{REF} ⁽¹⁾ (pF)	V _{MEAS} (V)	V _{REF} (V)
LVC MOS, 1.2V	LVC MOS12	1M	0	0.6	0
LVC MOS, 1.5V	LVC MOS15	1M	0	0.75	0
LVC MOS, 1.8V	LVC MOS18	1M	0	0.9	0
LVDCI, HSLVDCI, 1.5V	LVDCI_15, HSLVDCI_15	50	0	V _{REF}	0.75
LVDCI, HSLVDCI, 1.8V	LVDCI_15, HSLVDCI_18	50	0	V _{REF}	0.9
HSTL (high-speed transceiver logic), class I, 1.2V	HSTL_I_12	50	0	V _{REF}	0.6
HSTL, class I, 1.5V	HSTL_I	50	0	V _{REF}	0.75
HSTL, class I, 1.8V	HSTL_I_18	50	0	V _{REF}	0.9
HSUL (high-speed unterminated logic), 1.2V	HSUL_12	50	0	V _{REF}	0.6
SSTL12 (stub series terminated logic), 1.2V	SSTL12	50	0	V _{REF}	0.6
SSTL135, 1.35V	SSTL135	50	0	V _{REF}	0.675
SSTL15, 1.5V	SSTL15	50	0	V _{REF}	0.75
SSTL18, class I, 1.8V	SSTL18_I	50	0	V _{REF}	0.9
POD10, 1.0V	POD10	50	0	V _{REF}	1.0
POD12, 1.2V	POD12	50	0	V _{REF}	1.2
DIFF_HSTL, class I, 1.2V	DIFF_HSTL_I_12	50	0	V _{REF}	0.6
DIFF_HSTL, class I, 1.5V	DIFF_HSTL_I	50	0	V _{REF}	0.75
DIFF_HSTL, class I, 1.8V	DIFF_HSTL_I_18	50	0	V _{REF}	0.9
DIFF_HSUL, 1.2V	DIFF_HSUL_12	50	0	V _{REF}	0.6
DIFF_SSTL12, 1.2V	DIFF_SSTL12	50	0	V _{REF}	0.6
DIFF_SSTL135, 1.35V	DIFF_SSTL135	50	0	V _{REF}	0.675
DIFF_SSTL15, 1.5V	DIFF_SSTL15	50	0	V _{REF}	0.75
DIFF_SSTL18, 1.8V	DIFF_SSTL18_I	50	0	V _{REF}	0.9
DIFF_POD10, 1.0V	DIFF_POD10	50	0	V _{REF}	1.0
DIFF_POD12, 1.2V	DIFF_POD12	50	0	V _{REF}	1.2
LVDS (low-voltage differential signaling), 1.8V	LVDS	100	0	0 ⁽²⁾	0
SUB_LVDS, 1.8V	SUB_LVDS	100	0	0 ⁽²⁾	0
MIPI D-PHY (high speed) 1.2V	MIPI_DPHY_DCI_HS	100	0	0 ⁽²⁾	0
MIPI D-PHY (low power) 1.2V	MIPI_DPHY_DCI_LP	1M	0	0.6	0

Notes:

1. C_{REF} is the capacitance of the probe, nominally 0 pF.
2. The value given is the differential output voltage.

Block RAM and FIFO Switching Characteristics

Table 28: Block RAM and FIFO Switching Characteristics

Symbol	Description	Speed Grade and V _{CCINT} Operating Voltages				Units
		0.90V	0.85V		0.72V	
		-3	-2	-1	-2	
Maximum Frequency						
F _{MAX_WF_NC}	Block RAM (WRITE_FIRST and NO_CHANGE modes).	825	737	645	585	MHz
F _{MAX_RF}	Block RAM (READ_FIRST mode).	718	637	575	510	MHz
F _{MAX_FIFO}	FIFO in all modes without ECC.	825	737	645	585	MHz
F _{MAX_ECC}	Block RAM and FIFO in ECC configuration without PIPELINE.	718	637	575	510	MHz
	Block RAM and FIFO in ECC configuration with PIPELINE and Block RAM in WRITE_FIRST or NO_CHANGE mode.	825	737	645	585	MHz
T _{PW} ⁽¹⁾	Minimum pulse width.	495	542	543	577	ps
Block RAM and FIFO Clock-to-Out Delays						
T _{RCKO_DO}	Clock CLK to DOUT output (without output register).	0.91	1.02	1.11	1.46	ns, Max
T _{RCKO_DO_REG}	Clock CLK to DOUT output (with output register).	0.27	0.29	0.30	0.42	ns, Max

Notes:

1. The MMCM and PLL DUTY_CYCLE attribute should be set to 50% to meet the pulse-width requirements at the higher frequencies.

UltraRAM Switching Characteristics

Table 29: UltraRAM Switching Characteristics

Symbol	Description	Speed Grade and V _{CCINT} Operating Voltages				Units
		0.90V	0.85V		0.72V	
		-3	-2	-1	-2	
Maximum Frequency						
F _{MAX}	UltraRAM maximum frequency with OREG_B = True.	650	600	575	500	MHz
F _{MAX_ECC}	UltraRAM maximum frequency OREG_B = False and EN_ECC_RD_B = True.	450	400	386	325	MHz
F _{MAX_NORPIPELINE}	UltraRAM maximum frequency with OREG_B = False and EN_ECC_RD_B = False.	550	500	478	425	MHz
T _{PW} ⁽¹⁾	Minimum pulse width.	650	700	730	800	ps
T _{RSTPW}	Asynchronous reset minimum pulse width. One cycle required.	1 clock cycle				ps

Notes:

1. The MMCM and PLL DUTY_CYCLE attribute should be set to 50% to meet the pulse-width requirements at the higher frequencies.

Input/Output Delay Switching Characteristics

Table 30: Input/Output Delay Switching Characteristics

Symbol	Description	Speed Grade and V _{CCINT} Operating Voltages				Units
		0.90V	0.85V		0.72V	
		-3	-2	-1	-2	
F _{REFCLK}	REFCLK frequency for IDELAYCTRL (component mode).	300 to 800				MHz
	REFCLK frequency for BITSlice_CONTROL (native mode). ⁽¹⁾	300 to 2666.67	300 to 2666.67	300 to 2400	300 to 2400	MHz
T _{MINPER_CLK}	Minimum period for IODELAY clock.	3.195	3.195	3.195	3.195	ns
T _{MINPER_RST}	Minimum reset pulse width.	52.00				ns
T _{IDELAY_RESOLUTION} / T _{ODELAY_RESOLUTION}	IDELAY/ODELAY chain resolution.	2.1 to 12				ps

Notes:

1. PLL settings could restrict the minimum allowable data rate. For example, when using a PLL with CLKOUTPHY_MODE = VCO_HALF, the minimum frequency is PLL_FVCOMIN/2.

DSP48 Slice Switching Characteristics

Table 31: DSP48 Slice Switching Characteristics

Symbol	Description	Speed Grade and V _{CCINT} Operating Voltages				Units
		0.90V	0.85V		0.72V	
		-3	-2	-1	-2	
Maximum Frequency						
F _{MAX}	With all registers used.	891	775	645	644	MHz
F _{MAX_PATDET}	With pattern detector.	794	687	571	562	MHz
F _{MAX_MULT_NOMREG}	Two register multiply without MREG.	635	544	456	440	MHz
F _{MAX_MULT_NOMREG_PATDET}	Two register multiply without MREG with pattern detect.	577	492	410	395	MHz
F _{MAX_PREADD_NOADREG}	Without ADREG.	655	565	468	453	MHz
F _{MAX_NOPIPELINEREG}	Without pipeline registers (MREG, ADREG).	483	410	338	323	MHz
F _{MAX_NOPIPELINEREG_PATDET}	Without pipeline registers (MREG, ADREG) with pattern detect.	448	379	314	299	MHz

Clock Buffers and Networks

Table 32: Clock Buffers Switching Characteristics

Symbol	Description	Speed Grade and V _{CCINT} Operating Voltages				Units
		0.90V	0.85V		0.72V	
		-3	-2	-1	-2	
Global Clock Switching Characteristics (Including BUFGCTRL)						
F _{MAX}	Maximum frequency of a global clock tree (BUFG).	891	775	667	725	MHz
Global Clock Buffer with Input Divide Capability (BUFGCE_DIV)						
F _{MAX}	Maximum frequency of a global clock buffer with input divide capability (BUFGCE_DIV).	891	775	667	725	MHz
Global Clock Buffer with Clock Enable (BUFGCE)						
F _{MAX}	Maximum frequency of a global clock buffer with clock enable (BUFGCE).	891	775	667	725	MHz
Leaf Clock Buffer with Clock Enable (BUFCE_LEAF)						
F _{MAX}	Maximum frequency of a leaf clock buffer with clock enable (BUFCE_LEAF).	891	775	667	725	MHz
GTY Clock Buffer with Clock Enable and Clock Input Divide Capability (BUFG_GT)						
F _{MAX}	Maximum frequency of a serial transceiver clock buffer with clock enable and clock input divide capability.	512	512	512	512	MHz

MMCM Switching Characteristics

Table 33: MMCM Specification

Symbol	Description	Speed Grade and V _{CCINT} Operating Voltages				Units
		0.90V	0.85V		0.72V	
		-3	-2	-1	-2	
MMCM_F _{INMAX}	Maximum input clock frequency.	1066	933	800	933	MHz
MMCM_F _{INMIN}	Minimum input clock frequency.	10	10	10	10	MHz
MMCM_F _{INJITTER}	Maximum input clock period jitter.	< 20% of clock input period or 1 ns Max				
MMCM_F _{INDUTY}	Input duty cycle range: 10–49 MHz.	25–75				%
	Input duty cycle range: 50–199 MHz.	30–70				%
	Input duty cycle range: 200–399 MHz.	35–65				%
	Input duty cycle range: 400–499 MHz.	40–60				%
	Input duty cycle range: >500 MHz.	45–55				%
MMCM_F _{MIN_PSCLK}	Minimum dynamic phase shift clock frequency.	0.01	0.01	0.01	0.01	MHz
MMCM_F _{MAX_PSCLK}	Maximum dynamic phase shift clock frequency.	550	500	450	500	MHz
MMCM_F _{VCOMIN}	Minimum MMCM VCO frequency.	800	800	800	800	MHz
MMCM_F _{VCOMAX}	Maximum MMCM VCO frequency.	1600	1600	1600	1600	MHz
MMCM_F _{BANDWIDTH}	Low MMCM bandwidth at typical. ⁽¹⁾	1.00	1.00	1.00	1.00	MHz
	High MMCM bandwidth at typical. ⁽¹⁾	4.00	4.00	4.00	4.00	MHz
MMCM_T _{STATPHAOFFSET}	Static phase offset of the MMCM outputs. ⁽²⁾	0.12	0.12	0.12	0.12	ns
MMCM_T _{OUTJITTER}	MMCM output jitter.	Note 3				
MMCM_T _{OUTDUTY}	MMCM output clock duty cycle precision. ⁽⁴⁾	0.165	0.20	0.20	0.20	ns
MMCM_T _{LOCKMAX}	MMCM maximum lock time for MMCM_F _{PFDMIN} .	100	100	100	100	μs
MMCM_F _{OUTMAX}	MMCM maximum output frequency.	891	775	667	725	MHz
MMCM_F _{OUTMIN}	MMCM minimum output frequency. ⁽⁴⁾⁽⁵⁾	6.25	6.25	6.25	6.25	MHz
MMCM_T _{EXTFDVAR}	External clock feedback variation.	< 20% of clock input period or 1 ns Max				
MMCM_RST _{MINPULSE}	Minimum reset pulse width.	5.00	5.00	5.00	5.00	ns
MMCM_F _{PFDMAX}	Maximum frequency at the phase frequency detector.	550	500	450	500	MHz
MMCM_F _{PFDMIN}	Minimum frequency at the phase frequency detector.	10	10	10	10	MHz
MMCM_T _{FBDELAY}	Maximum delay in the feedback path.	5 ns Max or one clock cycle				
MMCM_F _{DPRCLK_MAX}	Maximum DRP clock frequency	250	250	250	250	MHz

Notes:

1. The MMCM does not filter typical spread-spectrum input clocks because they are usually far below the bandwidth filter frequencies.
2. The static offset is measured between any MMCM outputs with identical phase.
3. Values for this parameter are available in the Clocking Wizard.
4. Includes global clock buffer.
5. Calculated as F_{VCO}/128 assuming output duty cycle is 50%.

PLL Switching Characteristics

 Table 34: PLL Specification⁽¹⁾

Symbol	Description	Speed Grade and V _{CCINT} Operating Voltages				Units
		0.90V	0.85V		0.72V	
		-3	-2	-1	-2	
PLL_F _{INMAX}	Maximum input clock frequency.	1066	933	800	933	MHz
PLL_F _{INMIN}	Minimum input clock frequency.	70	70	70	70	MHz
PLL_F _{INJITTER}	Maximum input clock period jitter.	< 20% of clock input period or 1 ns Max				
PLL_F _{INDUTY}	Input duty cycle range: 70–399 MHz.	35–65				%
	Input duty cycle range: 400–499 MHz.	40–60				%
	Input duty cycle range: >500 MHz.	45–55				%
PLL_F _{VCOMIN}	Minimum PLL VCO frequency.	750	750	750	750	MHz
PLL_F _{VCOMAX}	Maximum PLL VCO frequency.	1500	1500	1500	1500	MHz
PLL_T _{STATPHAOFFSET}	Static phase offset of the PLL outputs. ⁽²⁾	0.12	0.12	0.12	0.12	ns
PLL_T _{OUTJITTER}	PLL output jitter.	Note 3				
PLL_T _{OUTDUTY}	PLL CLKOUT0, CLKOUT0B, CLKOUT1, CLKOUT1B duty-cycle precision. ⁽⁴⁾	0.165	0.20	0.20	0.20	ns
PLL_T _{LOCKMAX}	PLL maximum lock time.	100				µs
PLL_F _{OUTMAX}	PLL maximum output frequency at CLKOUT0, CLKOUT0B, CLKOUT1, CLKOUT1B.	891	775	667	725	MHz
	PLL maximum output frequency at CLKOUTPHY.	2667	2667	2400	2400	MHz
PLL_F _{OUTMIN}	PLL minimum output frequency at CLKOUT0, CLKOUT0B, CLKOUT1, CLKOUT1B. ⁽⁵⁾	5.86	5.86	5.86	5.86	MHz
	PLL minimum output frequency at CLKOUTPHY.	2 x VCO mode: 1500 1 x VCO mode: 750 0.5 x VCO mode: 375				MHz
PLL_RST _{MINPULSE}	Minimum reset pulse width.	5.00	5.00	5.00	5.00	ns
PLL_F _{PFDMAX}	Maximum frequency at the phase frequency detector.	667.5	667.5	667.5	667.5	MHz
PLL_F _{PFDMIN}	Minimum frequency at the phase frequency detector.	70	70	70	70	MHz
PLL_F _{BANDWIDTH}	PLL bandwidth at typical.	14	14	14	14	MHz
PLL_F _{DRPCLK_MAX}	Maximum DRP clock frequency	250	250	250	250	MHz

Notes:

1. The PLL does not filter typical spread-spectrum input clocks because they are usually far below the loop filter frequencies.
2. The static offset is measured between any PLL outputs with identical phase.
3. Values for this parameter are available in the Clocking Wizard.
4. Includes global clock buffer.
5. Calculated as $F_{VCO}/128$ assuming output duty cycle is 50%.

Device Pin-to-Pin Output Parameter Guidelines

The pin-to-pin numbers in [Table 35](#) through [Table 37](#) are based on the clock root placement in the center of the device. The actual pin-to-pin values will vary if the root placement selected is different. Consult the Vivado Design Suite timing report for the actual pin-to-pin values.

Table 35: Global Clock Input to Output Delay Without MMCM (Near Clock Region)

Symbol	Description	Device	Speed Grade and V _{CCINT} Operating Voltages				Units
			0.90V	0.85V		0.72V	
			-3	-2	-1	-2	
SSTL15 Global Clock Input to Output Delay using Output Flip-Flop, Fast Slew Rate, <i>without</i> MMCM.							
T _{ICKOF}	Global clock input and output flip-flop <i>without</i> MMCM (near clock region).	XCVU3P	4.08	4.77	5.09	5.28	ns
		XCVU5P	4.08	4.77	5.09	5.28	ns
		XCVU7P	4.08	4.77	5.09	5.28	ns
		XCVU9P	4.08	4.77	5.09	5.28	ns
		XCVU11P	3.93	4.59	4.90	5.07	ns
		XCVU13P	3.93	4.59	4.90	5.07	ns

Notes:

- This table lists representative values where one global clock input drives one vertical clock line in each accessible column, and where all accessible I/O and CLB flip-flops are clocked by the global clock net in a single SLR.

Table 36: Global Clock Input to Output Delay Without MMCM (Far Clock Region)

Symbol	Description	Device	Speed Grade and V _{CCINT} Operating Voltages				Units
			0.90V	0.85V		0.72V	
			-3	-2	-1	-2	
SSTL15 Global Clock Input to Output Delay using Output Flip-Flop, Fast Slew Rate, <i>without</i> MMCM.							
T _{ICKOF_FAR}	Global clock input and output flip-flop <i>without</i> MMCM (far clock region).	XCVU3P	4.53	5.33	5.69	5.92	ns
		XCVU5P	4.53	5.33	5.69	5.92	ns
		XCVU7P	4.53	5.33	5.69	5.92	ns
		XCVU9P	4.53	5.33	5.69	5.92	ns
		XCVU11P	4.10	4.79	5.11	5.28	ns
		XCVU13P	4.10	4.79	5.11	5.28	ns

Notes:

- This table lists representative values where one global clock input drives one vertical clock line in each accessible column, and where all accessible I/O and CLB flip-flops are clocked by the global clock net in a single SLR.

Table 37: Global Clock Input to Output Delay With MMCM

Symbol	Description	Device	Speed Grade and V _{CCINT} Operating Voltages				Units
			0.90V	0.85V		0.72V	
			-3	-2	-1	-2	
SSTL15 Global Clock Input to Output Delay using Output Flip-Flop, Fast Slew Rate, with MMCM.							
T _{ICKOFMMCMCC}	Global clock input and output flip-flop <i>with</i> MMCM.	XCVU3P	1.80	1.80	1.94	2.34	ns
		XCVU5P	1.80	1.80	1.94	2.34	ns
		XCVU7P	1.80	1.80	1.94	2.34	ns
		XCVU9P	1.80	1.80	1.94	2.34	ns
		XCVU11P	1.56	1.56	1.68	2.07	ns
		XCVU13P	1.56	1.56	1.68	2.07	ns

Notes:

1. This table lists representative values where one global clock input drives one vertical clock line in each accessible column, and where all accessible I/O and CLB flip-flops are clocked by the global clock net in a single SLR.
2. MMCM output jitter is already included in the timing calculation.

Device Pin-to-Pin Input Parameter Guidelines

The pin-to-pin numbers in Table 38 are based on the clock root placement in the center of the device. The actual pin-to-pin values will vary if the root placement selected is different. Consult the Vivado Design Suite timing report for the actual pin-to-pin values.

Table 38: Global Clock Input Setup and Hold With MMCM

Symbol	Description	Device	Speed Grade and V _{CCINT} Operating Voltages				Units	
			0.90V	0.85V		0.72V		
			-3	-2	-1	-2		
Input Setup and Hold Time Relative to Global Clock Input Signal using SSTL15 Standard. (1)(2)(3)								
T _{PSMMCMCC_VU3P}	Global clock input and input flip-flop (or latch) with MMCM.	Setup	XCVU3P	1.86	1.86	1.99	2.32	ns
T _{PHMMCMCC_VU3P}		Hold	XCVU3P	-0.13	-0.13	-0.13	0.14	ns
T _{PSMMCMCC_VU5P}		Setup	XCVU5P	1.86	1.86	1.99	2.32	ns
T _{PHMMCMCC_VU5P}		Hold	XCVU5P	-0.13	-0.13	-0.13	0.14	ns
T _{PSMMCMCC_VU7P}		Setup	XCVU7P	1.86	1.86	1.99	2.32	ns
T _{PHMMCMCC_VU7P}		Hold	XCVU7P	-0.13	-0.13	-0.13	0.14	ns
T _{PSMMCMCC_VU9P}		Setup	XCVU9P	1.86	1.86	1.99	2.32	ns
T _{PHMMCMCC_VU9P}		Hold	XCVU9P	-0.13	-0.13	-0.13	0.14	ns
T _{PSMMCMCC_VU11P}		Setup	XCVU11P	1.92	1.92	2.05	2.36	ns
T _{PHMMCMCC_VU11P}		Hold	XCVU11P	-0.13	-0.13	-0.13	0.16	ns
T _{PSMMCMCC_VU13P}		Setup	XCVU13P	1.92	1.92	2.05	2.36	ns
T _{PHMMCMCC_VU13P}		Hold	XCVU13P	-0.13	-0.13	-0.13	0.16	ns

Notes:

1. Setup and hold times are measured over worst case conditions (process, voltage, temperature). Setup time is measured relative to the global clock input signal using the slowest process, slowest temperature, and slowest voltage. Hold time is measured relative to the global clock input signal using the fastest process, fastest temperature, and fastest voltage.
2. This table lists representative values where one global clock input drives one vertical clock line in each accessible column, and where all accessible I/O and CLB flip-flops are clocked by the global clock net in a single SLR.
3. Use IBIS to determine any duty-cycle distortion incurred using various standards.

Table 39: Sampling Window

Description	Speed Grade and V _{CCINT} Operating Voltages				Units
	0.90V	0.85V		0.72V	
	-3	-2	-1	-2	
T _{SAMP_BUFG} ⁽¹⁾	510	610	610	610	ps
T _{SAMP_NATIVE_DPA}	100	100	125	125	ps
T _{SAMP_NATIVE_BISC}	60	60	85	85	ps

Notes:

1. This parameter indicates the total sampling error of the Virtex UltraScale+ FPGA DDR input registers, measured across voltage, temperature, and process. The characterization methodology uses the MMCM to capture the DDR input registers' edges of operation. These measurements include: CLK0 MMCM jitter, MMCM accuracy (phase offset), and MMCM phase shift resolution. These measurements do not include package or clock tree skew.

Package Parameter Guidelines

The parameters in this section provide the necessary values for calculating timing budgets for clock transmitter and receiver data-valid windows.

Table 40: Package Skew

Symbol	Description	Device	Package	Value	Units
PKGSKEW	Package Skew	XCVU3P	FFVC1517	197	ps
		XCVU5P	FLVA2104	175	ps
			FLVB2104	225	ps
			FLVC2104	216	ps
		XCVU7P	FLVA2104	175	ps
			FLVB2104	225	ps
			FLVC2104	216	ps
		XCVU9P	FLGA2104	217	ps
			FLGB2104	275	ps
			FLGC2104	299	ps
			FSGD2104	229	ps
			FLGA2577	149	ps
		XCVU11P	FLGF1924	180	ps
			FLGB2104	216	ps
			FLGC2104		ps
			FSGD2104		ps
			FLGA2577	154	ps
		XCVU13P	FHGA2104		ps
			FHGB2104	259	ps
			FHGC2104	182	ps
FIGD2104			ps		
FLGA2577	140		ps		

Notes:

1. These values represent the worst-case skew between any two SelectIO resources in the package: shortest delay to longest delay from die pad to ball.
2. Package delay information is available for these device/package combinations. This information can be used to deskew the package.

GTY Transceiver Specifications

The *UltraScale Architecture and Product Overview* ([DS890](#)) lists the Virtex UltraScale+ FPGAs that include the GTY transceivers.

GTY Transceiver DC Input and Output Levels

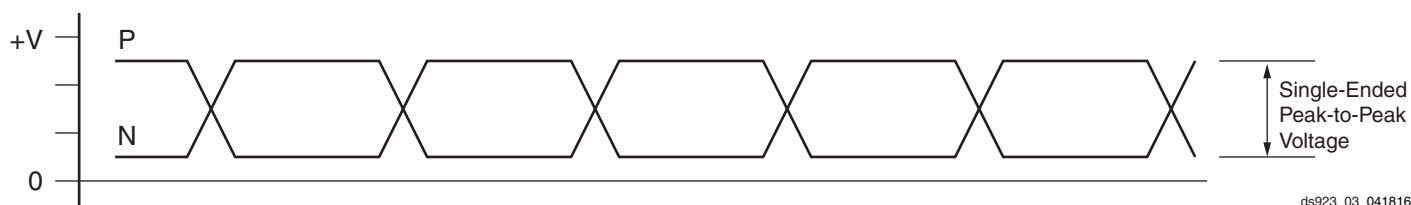
[Table 41](#) summarizes the DC specifications of the GTY transceivers in Virtex UltraScale+ FPGAs. Consult the *UltraScale Architecture GTY Transceiver User Guide* ([UG578](#)) for further information.

Table 41: GTY Transceiver DC Specifications

Symbol	DC Parameter	Conditions	Min	Typ	Max	Units
DV _{PPIN}	Differential peak-to-peak input voltage (external AC coupled)	> 10.3125 Gb/s	150	–	1250	mV
		6.6 Gb/s to 10.3125 Gb/s	150	–	1250	mV
		≤ 6.6 Gb/s	150	–	2000	mV
V _{IN}	Single-ended input voltage. Voltage measured at the pin referenced to GND.	DC coupled V _{MGTAVTT} = 1.2V	–400	–	V _{MGTAVTT}	mV
V _{CMIN}	Common mode input voltage	DC coupled V _{MGTAVTT} = 1.2V	–	2/3 V _{MGTAVTT}	–	mV
D _{VPPOUT}	Differential peak-to-peak output voltage ⁽¹⁾	Transmitter output swing is set to 1010	800	–	–	mV
V _{CMOUTDC}	Common mode output voltage: DC coupled (equation based)	When remote RX is terminated to GND	$V_{MGTAVTT}/2 - D_{VPPOUT}/4$			mV
		When remote RX termination is floating	$V_{MGTAVTT} - D_{VPPOUT}/2$			mV
		When remote RX is terminated to V _{RX_TERM} ⁽²⁾	$V_{MGTAVTT} - \frac{D_{VPPOUT}}{4} - \left(\frac{V_{MGTAVTT} - V_{RX_TERM}}{2}\right)$			mV
V _{CMOUTAC}	Common mode output voltage: AC coupled	Equation based	$V_{MGTAVTT} - D_{VPPOUT}/2$			mV
R _{IN}	Differential input resistance		–	100	–	Ω
R _{OUT}	Differential output resistance		–	100	–	Ω
T _{OSKEW}	Transmitter output pair (TXP and TXN) intra-pair skew		–	–	10	ps
C _{EXT}	Recommended external AC coupling capacitor ⁽³⁾		–	100	–	nF

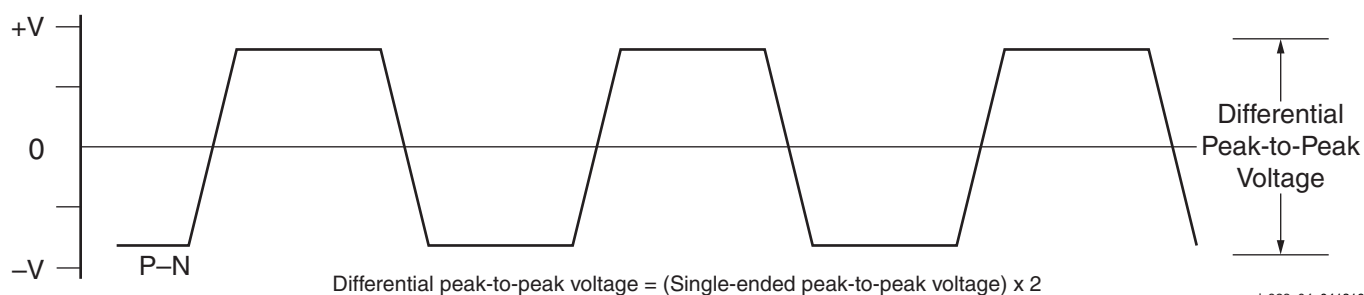
Notes:

1. The output swing and pre-emphasis levels are programmable using the GTY transceiver attributes discussed in the *UltraScale Architecture GTY Transceiver User Guide* ([UG578](#)) and can result in values lower than reported in this table.
2. V_{RX_TERM} is the remote RX termination voltage.
3. Other values can be used as appropriate to conform to specific protocols and standards.



ds923_03_041816

Figure 3: Single-Ended Peak-to-Peak Voltage



ds923_04_041816

Figure 4: Differential Peak-to-Peak Voltage

Table 42 and Table 43 summarize the DC specifications of the clock input of the GTY transceivers in Virtex UltraScale+ FPGAs. Consult www.xilinx.com/products/technology/high-speed-serial for further details.

Table 42: GTY Transceiver Clock DC Input Level Specification

Symbol	DC Parameter	Min	Typ	Max	Units
V _{IDIFF}	Differential peak-to-peak input voltage	250	–	2000	mV
R _{IN}	Differential input resistance	–	100	–	Ω
C _{EXT}	Required external AC coupling capacitor	–	10	–	nF

Table 43: GTY Transceiver Clock Output Level Specification

Symbol	Description	Conditions	Min	Typ	Max	Units
V _{OL}	Output high voltage for P and N	R _T = 100Ω across P and N signals	100	–	330	mV
V _{OH}	Output low voltage for P and N	R _T = 100Ω across P and N signals	500	–	700	mV
V _{DDOUT}	Differential output voltage (P–N), P = High (N–P), N = High	R _T = 100Ω across P and N signals	300	–	430	mV
V _{CMOUT}	Common mode voltage	R _T = 100Ω across P and N signals	300	–	500	mV

GTY Transceiver Switching Characteristics

Consult www.xilinx.com/products/technology/high-speed-serial for further information.

Table 44: GTY Transceiver Performance

Symbol	Description	Output Divider	Speed Grade and V _{CCINT} Operating Voltages								Units	
			0.90V		0.85V			0.72V				
			-3	-2	-1	-2						
F _{GTYMAX}	GTY maximum line rate		32.75 ⁽¹⁾		28.21 ⁽¹⁾			25.7813 ⁽¹⁾		28.21 ⁽¹⁾		Gb/s
F _{GTYMIN}	GTY minimum line rate		0.5		0.5			0.5		0.5		Gb/s
			Min	Max	Min	Max	Min	Max	Min	Max		
F _{GTYCRANGE}	CPLL line rate range ⁽²⁾	1	4.0	12.5	4.0	12.5	4.0	8.5	4.0	12.5	Gb/s	
		2	2.0	6.25	2.0	6.25	2.0	4.25	2.0	6.25	Gb/s	
		4	1.0	3.125	1.0	3.125	1.0	2.125	1.0	3.125	Gb/s	
		8	0.5	1.5625	0.5	1.5625	0.5	1.0625	0.5	1.5625	Gb/s	
		16	N/A								Gb/s	
		32	N/A								Gb/s	
			Min	Max	Min	Max	Min	Max	Min	Max		
F _{GTYQRANGE1}	QPLL0 line rate range ⁽³⁾	1	19.6	32.75	19.6	28.21	19.6	25.7813	19.6	28.21	Gb/s	
		1	9.8	16.375	9.8	16.375	9.8	12.5	9.8	16.375	Gb/s	
		2	4.9	8.1875	4.9	8.1875	4.9	8.1875	4.9	8.1875	Gb/s	
		4	2.45	4.09375	2.45	4.09375	2.45	4.09375	2.45	4.09375	Gb/s	
		8	1.225	2.04688	1.225	2.04688	1.225	2.04688	1.225	2.04688	Gb/s	
		16	0.6125	1.02344	0.6125	1.02344	0.6125	1.02344	0.6125	1.02344	Gb/s	
			Min	Max	Min	Max	Min	Max	Min	Max		
F _{GTYQRANGE2}	QPLL1 line rate range ⁽⁴⁾	1	16.0	26.0	16.0	26.0	19.6	25.7813	16.0	26.0	Gb/s	
		1	8.0	13.0	8.0	13.0	8.0	12.5	8.0	13.0	Gb/s	
		2	4.0	6.5	4.0	6.5	4.0	6.5	4.0	6.5	Gb/s	
		4	2.0	3.25	2.0	3.25	2.0	3.25	2.0	3.25	Gb/s	
		8	1.0	1.625	1.0	1.625	1.0	1.625	1.0	1.625	Gb/s	
		16	0.5	0.8125	0.5	0.8125	0.5	0.8125	0.5	0.8125	Gb/s	
			Min	Max	Min	Max	Min	Max	Min	Max		
F _{CPLL} RANGE	CPLL frequency range		2.0	6.25	2.0	6.25	2.0	4.25	2.0	6.25	GHz	
F _{QPLL0} RANGE	QPLL0 frequency range		9.8	16.375	9.8	16.375	9.8	16.375	9.8	16.375	GHz	
F _{QPLL1} RANGE	QPLL1 frequency range		8.0	13.0	8.0	13.0	8.0	13.0	8.0	13.0	GHz	

Notes:

1. XCVU11P devices in the FLGF1924 package have a maximum GTY transceiver line rate of 16.3 Gb/s.
2. The values listed are the rounded results of the calculated equation (2 x CPLL_Frequency)/Output_Divider.
3. The values listed are the rounded results of the calculated equation (2 x QPLL0_Frequency)/Output_Divider.
4. The values listed are the rounded results of the calculated equation (2 x QPLL1_Frequency)/Output_Divider.

Table 45: GTY Transceiver Dynamic Reconfiguration Port (DRP) Switching Characteristics

Symbol	Description	All Speed Grades	Units
$F_{GTYDRPCLK}$	GTYDRPCLK maximum frequency.	250	MHz

Table 46: GTY Transceiver Reference Clock Switching Characteristics

Symbol	Description	Conditions	All Speed Grades			Units
			Min	Typ	Max	
F_{GCLK}	Reference clock frequency range.		60	–	820	MHz
T_{RCLK}	Reference clock rise time.	20% – 80%	–	200	–	ps
T_{FCLK}	Reference clock fall time.	80% – 20%	–	200	–	ps
T_{DCREF}	Reference clock duty cycle.	Transceiver PLL only	40	50	60	%

Table 47: GTY Transceiver Reference Clock Oscillator Selection Phase Noise Mask⁽¹⁾

Symbol	Description	Offset Frequency	Min	Typ	Max	Units
$QPLL_{REFCLKMASK}$	QPLL0/QPLL1 reference clock select phase noise mask at REFCLK frequency = 156.25 MHz.	10 kHz	–	–	–112	dBc/Hz
		100 kHz	–	–	–128	
		1 MHz	–	–	–145	
	QPLL0/QPLL1 reference clock select phase noise mask at REFCLK frequency = 312.5 MHz.	10 kHz	–	–	–103	dBc/Hz
		100 kHz	–	–	–123	
		1 MHz	–	–	–143	
	QPLL0/QPLL1 reference clock select phase noise mask at REFCLK frequency = 625 MHz.	10 kHz	–	–	–98	dBc/Hz
		100 kHz	–	–	–117	
		1 MHz	–	–	–140	
$CPLL_{REFCLKMASK}$	CPLL reference clock select phase noise mask at REFCLK frequency = 156.25 MHz.	10 kHz	–	–	–112	dBc/Hz
		100 kHz	–	–	–128	
		1 MHz	–	–	–145	
		50 MHz	–	–	–145	
	CPLL reference clock select phase noise mask at REFCLK frequency = 312.5 MHz.	10 kHz	–	–	–103	dBc/Hz
		100 kHz	–	–	–123	
		1 MHz	–	–	–143	
		50 MHz	–	–	–145	
	CPLL reference clock select phase noise mask at REFCLK frequency = 625 MHz.	10 kHz	–	–	–98	dBc/Hz
		100 kHz	–	–	–117	
		1 MHz	–	–	–140	
		50 MHz	–	–	–144	

Notes:

- For reference clock frequencies not in this table, use the phase-noise mask for the nearest reference clock frequency.

Table 48: GTY Transceiver PLL/Lock Time Adaptation

Symbol	Description	Conditions	All Speed Grades			Units
			Min	Typ	Max	
T _{LOCK}	Initial PLL lock.		–	–	1	ms
T _{DLOCK}	Clock recovery phase acquisition and adaptation time for decision feedback equalizer (DFE).	After the PLL is locked to the reference clock, this is the time it takes to lock the clock data recovery (CDR) to the data present at the input.	–	50,000	37 x 10 ⁶	UI
	Clock recovery phase acquisition and adaptation time for low-power mode (LPM) when the DFE is disabled.		–	50,000	2.3 x 10 ⁶	UI

Table 49: GTY Transceiver User Clock Switching Characteristics⁽¹⁾

Symbol	Description	Data Width Conditions (Bit)		Speed Grade and V _{CCINT} Operating Voltages				Units
		Internal Logic	Interconnect Logic	0.90V	0.85V		0.72V	
				-3	-2	-1	-2	
F _{TXOUTPMA}	TXOUTCLK maximum frequency sourced from OUTCLKPMA			511.719	511.719	402.833	402.833	MHz
F _{RXOUTPMA}	RXOUTCLK maximum frequency sourced from OUTCLKPMA			511.719	511.719	402.833	402.833	MHz
F _{TXOUTPROGDIV}	TXOUTCLK maximum frequency sourced from TXPROGDIVCLK			511.719	511.719	511.719	511.719	MHz
F _{RXOUTPROGDIV}	RXOUTCLK maximum frequency sourced from RXPROGDIVCLK			511.719	511.719	511.719	511.719	MHz
F _{TXIN}	TXUSRCLK ⁽²⁾ maximum frequency	16	16, 32	511.719	511.719	390.625	390.625	MHz
		32	32, 64	511.719	511.719	390.625	390.625	MHz
		64	64, 128	511.719	440.781	402.832	402.832	MHz
		20	20, 40	409.375	409.375	312.500	312.500	MHz
		40	40, 80	409.375	409.375	312.500	350.000	MHz
		80	80, 160	409.375	352.625	322.266	352.625	MHz
F _{RXIN}	RXUSRCLK ⁽²⁾ maximum frequency	16	16, 32	511.719	511.719	390.625	390.625	MHz
		32	32, 64	511.719	511.719	390.625	390.625	MHz
		64	64, 128	511.719	440.781	402.832	402.832	MHz
		20	20, 40	409.375	409.375	312.500	312.500	MHz
		40	40, 80	409.375	409.375	312.500	350.000	MHz
		80	80, 160	409.375	352.625	322.266	352.625	MHz

Table 49: GTY Transceiver User Clock Switching Characteristics⁽¹⁾ (Cont'd)

Symbol	Description	Data Width Conditions (Bit)		Speed Grade and V _{CCINT} Operating Voltages				Units
				0.90V	0.85V		0.72V	
		Internal Logic	Interconnect Logic	-3	-2	-1	-2	
F _{TXIN2}	TXUSRCLK2 ⁽²⁾ maximum frequency	16	16	511.719	511.719	390.625	390.625	MHz
		16	32	255.859	255.859	195.313	195.313	MHz
		32	32	511.719	511.719	390.625	390.625	MHz
		32	64	255.859	255.859	195.313	195.313	MHz
		64	64	511.719	440.781	402.832	402.832	MHz
		64	128	255.859	220.391	201.416	201.416	MHz
		20	20	409.375	409.375	312.500	312.500	MHz
		20	40	204.688	204.688	156.250	156.250	MHz
		40	40	409.375	409.375	312.500	350.000	MHz
		40	80	204.688	204.688	156.250	175.000	MHz
		80	80	409.375	352.625	322.266	352.625	MHz
		80	160	204.688	176.313	161.133	176.313	MHz
F _{RXIN2}	RXUSRCLK2 ⁽²⁾ maximum frequency	16	16	511.719	511.719	390.625	390.625	MHz
		16	32	255.859	255.859	195.313	195.313	MHz
		32	32	511.719	511.719	390.625	390.625	MHz
		32	64	255.859	255.859	195.313	195.313	MHz
		64	64	511.719	440.781	402.832	402.832	MHz
		64	128	255.859	220.391	201.416	201.416	MHz
		20	20	409.375	409.375	312.500	312.500	MHz
		20	40	204.688	204.688	156.250	156.250	MHz
		40	40	409.375	409.375	312.500	350.000	MHz
		40	80	204.688	204.688	156.250	175.000	MHz
		80	80	409.375	352.625	322.266	352.625	MHz
		80	160	204.688	176.313	161.133	176.313	MHz

Notes:

1. Clocking must be implemented as described in the *UltraScale Architecture GTY Transceiver User Guide* ([UG578](#)).
2. When the gearbox is used, these maximums refer to the XCLK. For more information, see the *Valid Data Width Combinations for TX Asynchronous Gearbox* table in the *UltraScale Architecture GTY Transceiver User Guide* ([UG578](#)).

Table 50: GTY Transceiver Transmitter Switching Characteristics

Symbol	Description	Condition	Min	Typ	Max	Units
F_{GTYTX}	Serial data rate range		0.500	–	F_{GTYMAX}	Gb/s
T_{RTX}	TX rise time	20%–80%	–	21	–	ps
T_{FTX}	TX fall time	80%–20%	–	21	–	ps
T_{LLSKEW}	TX lane-to-lane skew ⁽¹⁾		–	–	500.00	ps
$T_{\text{J}32.75}$	Total jitter ⁽²⁾⁽⁴⁾	32.75 Gb/s	–	–	0.35	UI
$D_{\text{J}32.75}$	Deterministic jitter ⁽²⁾⁽⁴⁾		–	–	0.19	UI
$T_{\text{J}28.21}$	Total jitter ⁽²⁾⁽⁴⁾	28.21 Gb/s	–	–	0.28	UI
$D_{\text{J}28.21}$	Deterministic jitter ⁽²⁾⁽⁴⁾		–	–	0.17	UI
$T_{\text{J}16.375}$	Total jitter ⁽²⁾⁽⁴⁾	16.375 Gb/s	–	–	0.28	UI
$D_{\text{J}16.375}$	Deterministic jitter ⁽²⁾⁽⁴⁾		–	–	0.17	UI
$T_{\text{J}15.0}$	Total jitter ⁽²⁾⁽⁴⁾	15.0 Gb/s	–	–	0.28	UI
$D_{\text{J}15.0}$	Deterministic jitter ⁽²⁾⁽⁴⁾		–	–	0.17	UI
$T_{\text{J}14.1}$	Total jitter ⁽²⁾⁽⁴⁾	14.1 Gb/s	–	–	0.28	UI
$D_{\text{J}14.1}$	Deterministic jitter ⁽²⁾⁽⁴⁾		–	–	0.17	UI
$T_{\text{J}14.1}$	Total jitter ⁽²⁾⁽⁴⁾	14.025 Gb/s	–	–	0.28	UI
$D_{\text{J}14.1}$	Deterministic jitter ⁽²⁾⁽⁴⁾		–	–	0.17	UI
$T_{\text{J}13.1}$	Total jitter ⁽²⁾⁽⁴⁾	13.1 Gb/s	–	–	0.28	UI
$D_{\text{J}13.1}$	Deterministic jitter ⁽²⁾⁽⁴⁾		–	–	0.17	UI
$T_{\text{J}12.5_QPLL}$	Total jitter ⁽²⁾⁽⁴⁾	12.5 Gb/s	–	–	0.28	UI
$D_{\text{J}12.5_QPLL}$	Deterministic jitter ⁽²⁾⁽⁴⁾		–	–	0.17	UI
$T_{\text{J}12.5_CPLL}$	Total jitter ⁽³⁾⁽⁴⁾	12.5 Gb/s	–	–	0.33	UI
$D_{\text{J}12.5_CPLL}$	Deterministic jitter ⁽³⁾⁽⁴⁾		–	–	0.17	UI
$T_{\text{J}11.3}$	Total jitter ⁽²⁾⁽⁴⁾	11.3 Gb/s	–	–	0.28	UI
$D_{\text{J}11.3}$	Deterministic jitter ⁽²⁾⁽⁴⁾		–	–	0.17	UI
$T_{\text{J}10.3125_QPLL}$	Total jitter ⁽²⁾⁽⁴⁾	10.3125 Gb/s	–	–	0.28	UI
$D_{\text{J}10.3125_QPLL}$	Deterministic jitter ⁽²⁾⁽⁴⁾		–	–	0.17	UI
$T_{\text{J}10.3125_CPLL}$	Total jitter ⁽³⁾⁽⁴⁾	10.3125 Gb/s	–	–	0.33	UI
$D_{\text{J}10.3125_CPLL}$	Deterministic jitter ⁽³⁾⁽⁴⁾		–	–	0.17	UI
$T_{\text{J}9.953_QPLL}$	Total jitter ⁽²⁾⁽⁴⁾	9.953 Gb/s	–	–	0.28	UI
$D_{\text{J}9.953_QPLL}$	Deterministic jitter ⁽²⁾⁽⁴⁾		–	–	0.17	UI
$T_{\text{J}9.953_CPLL}$	Total jitter ⁽³⁾⁽⁴⁾	9.953 Gb/s	–	–	0.33	UI
$D_{\text{J}9.953_CPLL}$	Deterministic jitter ⁽³⁾⁽⁴⁾		–	–	0.17	UI
$T_{\text{J}8.0}$	Total jitter ⁽³⁾⁽⁴⁾	8.0 Gb/s	–	–	0.32	UI
$D_{\text{J}8.0}$	Deterministic jitter ⁽³⁾⁽⁴⁾		–	–	0.17	UI
$T_{\text{J}6.6}$	Total jitter ⁽³⁾⁽⁴⁾	6.6 Gb/s	–	–	0.30	UI
$D_{\text{J}6.6}$	Deterministic jitter ⁽³⁾⁽⁴⁾		–	–	0.15	UI
$T_{\text{J}5.0}$	Total jitter ⁽³⁾⁽⁴⁾	5.0 Gb/s	–	–	0.30	UI
$D_{\text{J}5.0}$	Deterministic jitter ⁽³⁾⁽⁴⁾		–	–	0.15	UI
$T_{\text{J}4.25}$	Total jitter ⁽³⁾⁽⁴⁾	4.25 Gb/s	–	–	0.30	UI
$D_{\text{J}4.25}$	Deterministic jitter ⁽³⁾⁽⁴⁾		–	–	0.15	UI

Table 50: GTY Transceiver Transmitter Switching Characteristics (Cont'd)

Symbol	Description	Condition	Min	Typ	Max	Units
T _{J3.20}	Total jitter ⁽³⁾⁽⁴⁾	3.20 Gb/s ⁽⁵⁾	–	–	0.20	UI
D _{J3.20}	Deterministic jitter ⁽³⁾⁽⁴⁾		–	–	0.10	UI
T _{J2.5}	Total jitter ⁽³⁾⁽⁴⁾	2.5 Gb/s ⁽⁶⁾	–	–	0.20	UI
D _{J2.5}	Deterministic jitter ⁽³⁾⁽⁴⁾		–	–	0.10	UI
T _{J1.25}	Total jitter ⁽³⁾⁽⁴⁾	1.25 Gb/s ⁽⁷⁾	–	–	0.15	UI
D _{J1.25}	Deterministic jitter ⁽³⁾⁽⁴⁾		–	–	0.06	UI
T _{J500}	Total jitter ⁽³⁾⁽⁴⁾	500 Mb/s ⁽⁸⁾	–	–	0.10	UI
D _{J500}	Deterministic jitter ⁽³⁾⁽⁴⁾		–	–	0.03	UI

Notes:

- Using same REFCLK input with TX phase alignment enabled for up to four consecutive transmitters (one fully populated GTY Quad) at maximum line rate.
- Using QPLL_FBDIV = 40, 20-bit internal data width. These values are NOT intended for protocol specific compliance determinations.
- Using CPLL_FBDIV = 2, 20-bit internal data width. These values are NOT intended for protocol specific compliance determinations.
- All jitter values are based on a bit-error ratio of 10⁻¹².
- CPLL frequency at 3.2 GHz and TXOUT_DIV = 2.
- CPLL frequency at 2.5 GHz and TXOUT_DIV = 2.
- CPLL frequency at 2.5 GHz and TXOUT_DIV = 4.
- CPLL frequency at 2.0 GHz and TXOUT_DIV = 8.

Table 51: GTY Transceiver Receiver Switching Characteristics

Symbol	Description	Condition	Min	Typ	Max	Units
F _{GTYRX}	Serial data rate		0.500	–	F _{GTYMAX}	Gb/s
R _{XSSST}	Receiver spread-spectrum tracking ⁽¹⁾	Modulated at 33 kHz	–5000	–	0	ppm
R _{XRL}	Run length (CID)		–	–	256	UI
R _{XPPMTOL}	Data/REFCLK PPM offset tolerance	Bit rates ≤ 6.6 Gb/s	–1250	–	1250	ppm
		Bit rates > 6.6 Gb/s and ≤ 8.0 Gb/s	–700	–	700	ppm
		Bit rates > 8.0 Gb/s	–200	–	200	ppm
SJ Jitter Tolerance⁽²⁾						
J _{T_SJ32.75}	Sinusoidal jitter (QPLL) ⁽³⁾	32.75 Gb/s	0.25	–	–	UI
J _{T_SJ28.21}	Sinusoidal jitter (QPLL) ⁽³⁾	28.21 Gb/s	0.30	–	–	UI
J _{T_SJ16.375}	Sinusoidal jitter (QPLL) ⁽³⁾	16.375 Gb/s	0.30	–	–	UI
J _{T_SJ15.0}	Sinusoidal jitter (QPLL) ⁽³⁾	15.0 Gb/s	0.30	–	–	UI
J _{T_SJ14.1}	Sinusoidal jitter (QPLL) ⁽³⁾	14.1 Gb/s	0.30	–	–	UI
J _{T_SJ13.1}	Sinusoidal jitter (QPLL) ⁽³⁾	13.1 Gb/s	0.30	–	–	UI
J _{T_SJ12.5}	Sinusoidal jitter (QPLL) ⁽³⁾	12.5 Gb/s	0.30	–	–	UI
J _{T_SJ11.3}	Sinusoidal jitter (QPLL) ⁽³⁾	11.3 Gb/s	0.30	–	–	UI
J _{T_SJ10.32_QPLL}	Sinusoidal jitter (QPLL) ⁽³⁾	10.32 Gb/s	0.30	–	–	UI
J _{T_SJ10.32_CPLL}	Sinusoidal jitter (CPLL) ⁽³⁾	10.32 Gb/s	0.30	–	–	UI
J _{T_SJ9.953_QPLL}	Sinusoidal jitter (QPLL) ⁽³⁾	9.953 Gb/s	0.30	–	–	UI
J _{T_SJ9.953_CPLL}	Sinusoidal jitter (CPLL) ⁽³⁾	9.953 Gb/s	0.30	–	–	UI
J _{T_SJ8.0}	Sinusoidal jitter (CPLL) ⁽³⁾	8.0 Gb/s	0.42	–	–	UI
J _{T_SJ6.6}	Sinusoidal jitter (CPLL) ⁽³⁾	6.6 Gb/s	0.44	–	–	UI
J _{T_SJ5.0}	Sinusoidal jitter (CPLL) ⁽³⁾	5.0 Gb/s	0.44	–	–	UI
J _{T_SJ4.25}	Sinusoidal jitter (CPLL) ⁽³⁾	4.25 Gb/s	0.44	–	–	UI
J _{T_SJ3.2}	Sinusoidal jitter (CPLL) ⁽³⁾	3.2 Gb/s ⁽⁴⁾	0.45	–	–	UI
J _{T_SJ2.5}	Sinusoidal jitter (CPLL) ⁽³⁾	2.5 Gb/s ⁽⁵⁾	0.30	–	–	UI
J _{T_SJ1.25}	Sinusoidal jitter (CPLL) ⁽³⁾	1.25 Gb/s ⁽⁶⁾	0.30	–	–	UI
J _{T_SJ500}	Sinusoidal jitter (CPLL) ⁽³⁾	500 Mb/s ⁽⁷⁾	0.30	–	–	UI
SJ Jitter Tolerance with Stressed Eye⁽²⁾						
J _{T_TJSE3.2}	Total jitter with stressed eye ⁽⁸⁾	3.2 Gb/s	0.70	–	–	UI
J _{T_TJSE6.6}		6.6 Gb/s	0.70	–	–	UI
J _{T_SJSE3.2}	Sinusoidal jitter with stressed eye ⁽⁸⁾	3.2 Gb/s	0.10	–	–	UI
J _{T_SJSE6.6}		6.6 Gb/s	0.10	–	–	UI

Notes:

- Using RXOUT_DIV = 1, 2, and 4.
- All jitter values are based on a bit error ratio of 10^{–12}.
- The frequency of the injected sinusoidal jitter is 80 MHz.
- CPLL frequency at 3.2 GHz and RXOUT_DIV = 2.
- CPLL frequency at 2.5 GHz and RXOUT_DIV = 2.
- CPLL frequency at 2.5 GHz and RXOUT_DIV = 4.
- CPLL frequency at 2.0 GHz and RXOUT_DIV = 8.
- Composite jitter with RX equalizer enabled. DFE disabled.

GTY Transceiver Electrical Compliance

The *UltraScale Architecture GTY Transceiver User Guide* ([UG578](#)) contains recommended use modes that ensure compliance for the protocols listed in [Table 52](#). The transceiver wizard provides the recommended settings for those use cases and for protocol specific characteristics.

Table 52: GTY Transceiver Protocol List

Protocol	Specification	Serial Rate (Gb/s)	Electrical Compliance
CAUI-4	IEEE 802.3-2012	25.78125	Compliant
28 Gb/s backplane	CEI-25G-LR	25–28.05	Compliant
Interlaken	OIF-CEI-6G, OIF-CEI-11GSR, OIF-CEI-28G-MR	4.25–25.78125	Compliant
100GBASE-KR4	IEEE 802.3bj-2014, CEI-25G-LR	25.78125	Compliant ⁽¹⁾
100GBASE-CR4	IEEE 802.3bj-2014, CEI-25G-LR	25.78125	Compliant ⁽¹⁾
50GBASE-KR4	IEEE 802.3by-2014, CEI-25G-LR	25.78125	Compliant ⁽¹⁾
50GBASE-CR4	IEEE 802.3by-2014, CEI-25G-LR	25.78125	Compliant ⁽¹⁾
25GBASE-KR4	IEEE 802.3by-2014, CEI-25G-LR	25.78125	Compliant ⁽¹⁾
25GBASE-CR4	IEEE 802.3by-2014, CEI-25G-LR	25.78125	Compliant ⁽¹⁾
OTU4 (OTL4.4) CFP2	OIF-CEI-28G-VSR	27.952493-32.75	Compliant
OTU4 (OTL4.4) CFP	OIF-CEI-11G-MR	11.18–13.1	Compliant
CAUI-10	IEEE 802.3-2012	10.3125	Compliant
nPPI	IEEE 802.3-2012	10.3125	Compliant
10GBASE-KR ⁽²⁾	IEEE 802.3-2012	10.3125	Compliant
SFP+	SFF-8431 (SR and LR)	9.95328–11.10	Compliant
XFP	INF-8077i, revision 4.5	10.3125	Compliant
RXAUI	CEI-6G-SR	6.25	Compliant
XAUI	IEEE 802.3-2012	3.125	Compliant
1000BASE-X	IEEE 802.3-2012	1.25	Compliant
5.0G Ethernet	IEEE 802.3bx (PAR)	5	Compliant
2.5G Ethernet	IEEE 802.3bx (PAR)	2.5	Compliant
HiGig, HiGig+, HiGig2	IEEE 802.3-2012	3.74, 6.6	Compliant
QSGMII	QSGMII v1.2 (Cisco System, ENG-46158)	5	Compliant
OTU2	ITU G.8251	10.709225	Compliant
OTU4 (OTL4.10)	OIF-CEI-11G-SR	11.180997	Compliant
OC-3/12/48/192	GR-253-CORE	0.1555–9.956	Compliant
PCIe Gen1, 2, 3	PCI Express base 3.0	2.5, 5.0, and 8.0	Compliant
SDI ⁽³⁾	SMPTE 424M-2006	0.27–2.97	Compliant
UHD-SDI ⁽³⁾	SMPTE ST-2081 6G, SMPTE ST-2082 12G	6 and 12	Compliant
Hybrid memory cube (HMC)	HMC-15G-SR	10, 12.5, and 15.0	Compliant
MoSys bandwidth engine	CEI-11-SR and CEI-11-SR (overclocked)	10.3125, 15.5	Compliant
CPRI	CPRI_v_6_1_2014-07-01	0.6144–12.165	Compliant
Passive optical network (PON)	10G-EPON, 1G-EPON, NG-PON2, XG-PON, and 2.5G-PON	0.155–10.3125	Compliant
JESD204a/b	OIF-CEI-6G, OIF-CEI-11G	3.125–12.5	Compliant

Table 52: GTY Transceiver Protocol List (Cont'd)

Protocol	Specification	Serial Rate (Gb/s)	Electrical Compliance
Serial RapidIO	RapidIO specification 3.1	1.25–10.3125	Compliant
DisplayPort (source only)	DP 1.2B CTS	1.62–5.4	Compliant ⁽³⁾
Fibre channel	FC-PI-4	1.0625–14.025	Compliant
SATA Gen1, 2, 3	Serial ATA revision 3.0 specification	1.5, 3.0, and 6.0	Compliant
SAS Gen1, 2, 3	T10/BSR INCITS 519	3.0, 6.0, and 12.0	Compliant
SFI-5	OIF-SFI5-01.0	0.625 - 12.5	Compliant
Aurora	CEI-6G, CEI-11G-LR	All rates	Compliant

Notes:

1. 25 dB loss at Nyquist without FEC.
2. The transition time of the transmitter is faster than the IEEE Std 802.3-2012 specification.
3. This protocol requires external circuitry to achieve compliance.

Integrated Interface Block for Interlaken

More information and documentation on solutions using the integrated interface block for Interlaken can be found at [UltraScale Interlaken](#). The *UltraScale Architecture and Product Overview (DS890)* lists how many blocks are in each Virtex UltraScale+ FPGA. This section describes the following Interlaken configurations.

- 12 x 12.5 Gb/s protocol and lane logic mode ([Table 53](#)).
- 6 x 25.78125 Gb/s and 6 x 28.21 Gb/s protocol and lane logic mode ([Table 54](#)).
- 12 x 25.78125 Gb/s lane logic only mode ([Table 55](#)).

XCVU11P devices in the FLVF1924 package are only supported using the 12 x 12.5 Gb/s Interlaken configuration. See [Table 44](#) for the F_{GTYMAX} description.

Table 53: Maximum Performance for Interlaken 12 x 12.5 Gb/s Protocol and Lane Logic Mode Designs

Symbol	Description	Speed Grade and V_{CCINT} Operating Voltages										Units
		0.90V		0.85V				0.72V				
		-3	-2	-2	-1	-1	-2	-1	-2	-1		
$F_{RX_SERDES_CLK}$	Receive serializer/deserializer clock	195.32		195.32				195.32				MHz
$F_{TX_SERDES_CLK}$	Transmit serializer/deserializer clock	195.32		195.32				195.32				MHz
F_{DRP_CLK}	Dynamic reconfiguration port clock	250.00		250.00				250.00				MHz
		Min ⁽¹⁾	Max	Min ⁽¹⁾	Max	Min ⁽¹⁾	Max	Min ⁽¹⁾	Max	Min ⁽¹⁾	Max	
F_{CORE_CLK}	Interlaken core clock	300.00	322.27	300.00	322.27	300.00	322.27	300.00	322.27	300.00	322.27	MHz
F_{LBUS_CLK}	Interlaken local bus clock	300.00	322.27	300.00	322.27	300.00	322.27	300.00	322.27	300.00	322.27	MHz

Notes:

1. These are the minimum clock frequencies at the maximum lane performance.

Table 54: Maximum Performance for Interlaken 6 x 25.78125 Gb/s and 6 x 28.21 Gb/s Protocol and Lane Logic Mode Designs

Symbol	Description	Speed Grade and V _{CCINT} Operating Voltages										Units		
		0.90V		0.85V			0.72V							
		-3 ⁽¹⁾		-2 ⁽¹⁾		-1		-2		-1				
F _{RX_SERDES_CLK}	Receive serializer/deserializer clock	440.79		440.79			N/A		402.84		N/A			MHz
F _{TX_SERDES_CLK}	Transmit serializer/deserializer clock	440.79		440.79			N/A		402.84		N/A			MHz
F _{DRP_CLK}	Dynamic reconfiguration port clock	250.00		250.00			N/A		250.00		N/A			MHz
		Min ⁽²⁾	Max	Min ⁽²⁾	Max	Min	Max	Min ⁽²⁾	Max	Min	Max			
F _{CORE_CLK}	Interlaken core clock	412.50 ⁽³⁾	479.20	412.50 ⁽³⁾	479.20	N/A		412.50	429.69	N/A		MHz		
F _{LBUS_CLK}	Interlaken local bus clock	300.00 ⁽⁴⁾	349.52	300.00 ⁽⁴⁾	349.52	N/A		300.00	349.52	N/A		MHz		

Notes:

1. 6 x 28.21 mode is only supported in the -2 (V_{CCINT}=0.85V) and -3 (V_{CCINT}=0.90V) speed grades.
2. These are the minimum clock frequencies at the maximum lane performance.
3. The minimum value for CORE_CLK is 451.36 MHz for the 6 x 28.21 Gb/s protocol.
4. The minimum value for LBUS_CLK is 330.00 MHz for the 6 x 28.21 Gb/s protocol.

Table 55: Maximum Performance for Interlaken 12 x 25.78125 Gb/s Lane Logic Only Mode Designs

Symbol	Description	Speed Grade and V _{CCINT} Operating Voltages						Units				
		0.90V		0.85V		0.72V						
		-3		-2		-1						
F _{RX_SERDES_CLK}	Receive serializer/deserializer clock	402.84		402.84		N/A		N/A		N/A		MHz
F _{TX_SERDES_CLK}	Transmit serializer/deserializer clock	402.84		402.84		N/A		N/A		N/A		MHz
F _{DRP_CLK}	Dynamic reconfiguration port clock	250.00		250.00		N/A		N/A		N/A		MHz
F _{CORE_CLK}	Interlaken core clock	412.50		412.50		N/A		N/A		N/A		MHz
F _{LBUS_CLK}	Interlaken local bus clock	349.52		349.52		N/A		N/A		N/A		MHz

Integrated Interface Block for 100G Ethernet MAC and PCS

More information and documentation on solutions using the integrated 100 Gb/s Ethernet block can be found at [UltraScale Integrated 100G Ethernet MAC/PCS](#). The *UltraScale Architecture and Product Overview (DS890)* lists how many blocks are in each Virtex UltraScale+ FPGA.

Table 56: Maximum Performance for 100G Ethernet Designs

Symbol	Description	Speed Grade and V _{CCINT} Operating Voltages				Units
		0.90V	0.85V		0.72V	
		-3	-2 ⁽¹⁾	-1	-2	
F _{TX_CLK}	Transmit clock	390.625	390.625	322.223	322.223	MHz
F _{RX_CLK}	Receive clock	390.625	390.625	322.223	322.223	MHz
F _{RX_SERDES_CLK}	Receive serializer/deserializer clock	390.625	390.625	322.223	322.223	MHz
F _{DRP_CLK}	Dynamic reconfiguration port clock	250.00	250.00	250.00	250.00	MHz

Notes:

1. The maximum clock frequency of 390.625 MHz only applies to the CAUI-10 interface. The maximum clock frequency for the CAUI-4 interface is 322.223 MHz.

Integrated Interface Block for PCI Express Designs

More information and documentation on solutions for PCI Express designs can be found at [PCI Express](#). The *UltraScale Architecture and Product Overview (DS890)* lists how many blocks are in each Virtex UltraScale+ FPGA.

Table 57: Maximum Performance for PCI Express Designs⁽¹⁾⁽²⁾

Symbol	Description	Speed Grade and V _{CCINT} Operating Voltages				Units
		0.90V	0.85V		0.72V	
		-3	-2	-1	-2	
F _{PIPECLK}	Pipe clock maximum frequency.	250.00	250.00	250.00	250.00	MHz
F _{CORECLK}	Core clock maximum frequency.	500.00	500.00	500.00	250.00	MHz
F _{DRPCLK}	DRP clock maximum frequency.	250.00	250.00	250.00	250.00	MHz
F _{MCAPCLK}	MCAP clock maximum frequency.	125.00	125.00	125.00	125.00	MHz

Notes:

1. PCI Express Gen4 operation is supported for x1, x2, x4, and x8 widths.
2. PCI Express Gen4 operation is supported in -3E, -2E, and -2I speed grades.

System Monitor Specifications

Table 58: System Monitor Specifications

Parameter	Symbol	Comments/Conditions	Min	Typ	Max	Units
$V_{CCADC} = 1.8V \pm 3\%$, $V_{REFP} = 1.25V$, $V_{REFN} = 0V$, $ADCCLK = 5.2\text{ MHz}$, $T_j = -40^\circ\text{C}$ to 100°C , typical values at $T_j = 40^\circ\text{C}$						
ADC Accuracy⁽¹⁾						
Resolution			10	–	–	Bits
Integral nonlinearity ⁽²⁾	INL		–	–	± 1.5	LSBs
Differential nonlinearity	DNL	No missing codes, guaranteed monotonic	–	–	± 1	LSBs
Offset error		Offset calibration enabled	–	–	± 2	LSBs
Gain error			–	–	± 0.4	%
Sample rate			–	–	0.2	MS/s
RMS code noise		External 1.25V reference	–	–	1	LSBs
		On-chip reference	–	1	–	LSBs
ADC Accuracy at Extended Temperatures						
Resolution		$T_j = -55^\circ\text{C}$ to 125°C	10	–	–	Bits
Integral nonlinearity	INL	$T_j = -55^\circ\text{C}$ to 125°C	–	–	± 1.5	LSBs
Differential nonlinearity	DNL	No missing codes, guaranteed monotonic $T_j = -55^\circ\text{C}$ to 125°C	–	–	± 1	
Analog Inputs⁽²⁾						
ADC input ranges		Unipolar operation	0	–	1	V
		Bipolar operation	–0.5	–	+0.5	V
		Unipolar common mode range (FS input)	0	–	+0.5	V
		Bipolar common mode range (FS input)	+0.5	–	+0.6	V
Maximum external channel input ranges		Adjacent channels set within these ranges should not corrupt measurements on adjacent channels	–0.1	–	V_{CCADC}	V
On-Chip Sensor Accuracy						
Temperature sensor error ⁽¹⁾⁽³⁾		$T_j = -55^\circ\text{C}$ to 125°C (with external REF)	–	–	± 3	$^\circ\text{C}$
		$T_j = -55^\circ\text{C}$ to 110°C (with internal REF)	–	–	± 3.5	$^\circ\text{C}$
		$T_j = 110^\circ\text{C}$ to 125°C (with internal REF)	–	–	± 5	$^\circ\text{C}$

Table 58: System Monitor Specifications (Cont'd)

Parameter	Symbol	Comments/Conditions	Min	Typ	Max	Units
Supply sensor error ⁽⁴⁾		Supply voltages 0.72V to 1.2V, $T_j = -40^\circ\text{C}$ to 100°C (with external REF)	–	–	± 0.5	%
		Supply voltages 0.72V to 1.2V, $T_j = -55^\circ\text{C}$ to 125°C (with external REF)	–	–	± 1.0	%
		All other supply voltages, $T_j = -40^\circ\text{C}$ to 100°C (with external REF)	–	–	± 1.0	%
		All other supply voltages, $T_j = -55^\circ\text{C}$ to 125°C (with external REF)	–	–	± 2.0	%
		Supply voltages 0.72V to 1.2V, $T_j = -40^\circ\text{C}$ to 100°C (with internal REF)	–	–	± 1.0	%
		Supply voltages 0.72V to 1.2V, $T_j = -55^\circ\text{C}$ to 125°C (with internal REF)	–	–	± 2.0	%
		All other supply voltages, $T_j = -40^\circ\text{C}$ to 100°C (with internal REF)	–	–	± 1.5	%
		All other supply voltages, $T_j = -55^\circ\text{C}$ to 125°C (with internal REF)	–	–	± 2.5	%
Conversion Rate⁽⁵⁾						
Conversion time—continuous	t_{CONV}	Number of ADCCLK cycles	26	–	32	Cycles
Conversion time—event	t_{CONV}	Number of ADCCLK cycles	–	–	21	Cycles
DRP clock frequency	DCLK	DRP clock frequency	8	–	250	MHz
ADC clock frequency	ADCCLK	Derived from DCLK	1	–	5.2	MHz
DCLK duty cycle			40	–	60	%
SYSMON Reference⁽⁶⁾						
External reference	V_{REFP}	Externally supplied reference voltage	1.20	1.25	1.30	V
On-chip reference		Ground V_{REFP} pin to AGND, $T_j = -40^\circ\text{C}$ to 100°C	1.2375	1.25	1.2625	V
		Ground V_{REFP} pin to AGND, $T_j = -55^\circ\text{C}$ to 125°C	1.225	1.25	1.275	V

Notes:

1. ADC offset errors are removed by enabling the ADC automatic offset calibration feature. The values are specified for when this feature is enabled.
2. See the *Analog Input* section in the *UltraScale Architecture System Monitor User Guide* (UG580).
3. When reading temperature values directly from the PMBus interface, the SYSMON has a $+4^\circ\text{C}$ offset due to the transfer function used by the PMBus application. For example, the external REF temperature sensor error's range of $\pm 3^\circ\text{C}$ becomes $+1^\circ\text{C}$ to $+7^\circ\text{C}$ when the temperature is read through the PMBus interface.
4. Supply sensor offset and gain errors are removed by enabling the automatic offset and gain calibration feature. The values are specified for when this feature is enabled.
5. See the *Adjusting the Acquisition Settling Time* section in the *UltraScale Architecture System Monitor User Guide* (UG580).
6. Any variation in the reference voltage from the nominal $V_{\text{REFP}} = 1.25\text{V}$ and $V_{\text{REFN}} = 0\text{V}$ will result in a deviation from the ideal transfer function. This also impacts the accuracy of the internal sensor measurements (i.e., temperature and power supply). However, for external ratiometric type applications allowing reference to vary by $\pm 4\%$ is permitted.

SYSMON I2C/PMBus Interfaces

Table 59: SYSMON I2C Fast Mode Interface Switching Characteristics⁽¹⁾

Symbol	Description	Min	Max	Units
T_{SMFCKL}	SCL Low time	1.3	–	μ s
T_{SMFCKH}	SCL High time	0.6	–	μ s
T_{SMFCKO}	SDAO clock-to-out delay	–	900	ns
T_{SMFDCK}	SDAI setup time	100	–	ns
F_{SMFCLK}	SCL clock frequency	–	400	kHz

Notes:

1. The test conditions are configured to the LVCMOS 1.8V I/O standard.

Table 60: SYSMON I2C Standard Mode Interface Switching Characteristics⁽¹⁾

Symbol	Description	Min	Max	Units
T_{SMSCKL}	SCL Low time	4.7	–	μ s
T_{SMSCKH}	SCL High time	4.0	–	μ s
T_{SMSCKO}	SDAO clock-to-out delay	–	3450	ns
T_{SMSDCK}	SDAI setup time	250	–	ns
F_{SMSCLK}	SCL clock frequency	–	100	kHz

Notes:

1. The test conditions are configured to the LVCMOS 1.8V I/O standard.

Configuration Switching Characteristics

Table 61: Configuration Switching Characteristics

Symbol	Description	Speed Grade and V _{CCINT} Operating Voltages				Units	
		0.90V	0.85V		0.72V		
		-3	-2	-1	-2		
Power-up Timing Characteristics							
T _{PL}	Program latency.	8.5	8.5	8.5	8.5	ms, Max	
T _{POR}	Power-on reset (40 ms maximum ramp rate).	65	65	65	65	ms, Max	
		0	0	0	0	ms, Min	
	Power-on reset with POR override (2 ms maximum ramp rate).	15	15	15	15	ms, Max	
		5	5	5	5	ms, Min	
T _{PROGRAM}	Program pulse width.	250	250	250	250	ns, Min	
CCLK Output (Master Mode)							
T _{ICCK}	Master CCLK output delay from INIT_B.	150	150	150	150	ns, Min	
T _{MCCKL} ⁽¹⁾	Master CCLK clock Low time duty cycle.	40/60	40/60	40/60	40/60	%, Min/Max	
T _{MCCKH}	Master CCLK clock High time duty cycle.	40/60	40/60	40/60	40/60	%, Min/Max	
F _{MCCK}	Master SPI/BPI CCLK frequency.	125	125	125	100	MHz, Max	
F _{MCCK_START}	Master CCLK frequency at start of configuration.	2.70	2.70	2.70	2.70	MHz, Typ	
F _{MCCKTOL}	Frequency tolerance, master mode with respect to nominal CCLK.	±15	±15	±15	±15	%, Max	
CCLK Input (Slave Mode)							
T _{SCCKL}	Slave CCLK clock minimum Low time.	2.5	2.5	2.5	2.5	ns, Min	
T _{SCCKH}	Slave CCLK clock minimum High time.	2.5	2.5	2.5	2.5	ns, Min	
F _{SCCK}	Slave serial SelectMap CCLK frequency.	XCVU3P, XCVU5P, XCVU7P, XCVU9P	125	125	125	100	MHz, Max
		XCVU11P, XCVU13P	125	125	125	66	MHz, Max
EMCCLK Input (Master Mode)							
T _{EMCCKL}	External master CCLK Low time.	2.5	2.5	2.5	2.5	ns, Min	
T _{EMCCKH}	External master CCLK High time.	2.5	2.5	2.5	2.5	ns, Min	
F _{EMCCK}	External master CCLK frequency.	125	125	125	100	MHz, Max	
Internal Configuration Access Port							
F _{ICAPCK}	Internal configuration access port (ICAPE3).	XCVU3P	200	200	200	150	MHz, Max
	Master SLR ICAPE3 accessing entire device.	XCVU5P, XCVU7P, XCVU9P, XCVU11P, XCVU13P	125	125	125	100	MHz, Max
	SLR ICAPE3 accessing local SLR.	XCVU5P, XCVU7P, XCVU9P, XCVU11P, XCVU13P	200	200	200	150	MHz, Max
Slave Serial Mode Programming Switching							
T _{DCCK} /T _{CCKD}	D _{IN} setup/hold.	3.0/0	3.0/0	3.0/0	4.0/0	ns, Min	
T _{CCO}	D _{OUT} clock to out.	8.0	8.0	8.0	9.0	ns, Max	

Table 61: Configuration Switching Characteristics (Cont'd)

Symbol	Description	Speed Grade and V _{CCINT} Operating Voltages				Units	
		0.90V	0.85V		0.72V		
		-3	-2	-1	-2		
SelectMAP Mode Programming Switching							
T _{SMDCCK} /T _{SMCCKD}	D[31:00] setup/hold.	XCVU3P, XCVU5P, XCVU7P, XCVU9P	4.0/0	4.0/0	4.0/0	5.0/0	ns, Min
		XCVU11P, XCVU13P	4.5/0	4.5/0	4.5/0	7.5/0	ns, Min
T _{SMCSCCK} /T _{SMCCKCS}	CSI_B setup/hold.	XCVU3P, XCVU5P, XCVU7P, XCVU9P	4.0/0	4.0/0	4.0/0	5.0/0	ns, Min
		XCVU11P, XCVU13P	4.5/0	4.5/0	4.5/0	7.5/0	ns, Min
T _{SMWCCK} /T _{SMCCKW}	RDWR_B setup/hold.	XCVU3P, XCVU5P, XCVU7P, XCVU9P	10.0/0	10.0/0	10.0/0	11.0/0	ns, Min
		XCVU11P, XCVU13P	11.0/0	11.0/0	11.0/0	17.0/0	ns, Min
T _{SMCKCSO}	CSO_B clock to out (330Ω pull-up resistor required).		7.0	7.0	7.0	7.0	ns, Max
T _{SMCO}	D[31:00] clock to out in readback.		8.0	8.0	8.0	8.0	ns, Max
F _{RBCK}	Readback frequency.	XCVU3P, XCVU5P, XCVU7P, XCVU9P	125	125	125	100	MHz, Max
		XCVU11P, XCVU13P	125	125	125	66	MHz, Max
Boundary-Scan Port Timing Specifications							
T _{TAPTCK} /T _{TCKTAP}	TMS and TDI setup/hold.	XCVU3P	3.0/2.0	3.0/2.0	3.0/2.0	3.0/2.0	ns, Min
		XCVU5P, XCVU7P, XCVU9P, XCVU11P, XCVU13P	8.5/2.0	8.5/2.0	8.5/2.0	8.5/2.0	ns, Min
T _{TCKTDO}	TCK falling edge to TDO output.	XCVU3P	7.0	7.0	7.0	7.0	ns, Max
		XCVU5P, XCVU7P, XCVU9P, XCVU11P, XCVU13P	15.0	15.0	15.0	15.0	ns, Max
F _{TCK}	TCK frequency.	XCVU3P	66	66	66	66	MHz, Max
		XCVU5P, XCVU7P, XCVU9P, XCVU11P, XCVU13P	20	20	20	20	MHz, Max
BPI Master Flash Mode Programming Switching							
T _{BPICCO}	A[28:00], RS[1:0], FCS_B, FOE_B, FWE_B, ADV_B clock to out.		10	10	10	10	ns, Max
T _{BPIDCC} /T _{BPICCD}	D[15:00] setup/hold.	XCVU3P, XCVU5P, XCVU7P, XCVU9P	4.0/0	4.0/0	4.0/0	5.0/0	ns, Min
		XCVU11P, XCVU13P	4.5/0	4.5/0	4.5/0	7.5/0	ns, Min
SPI Master Flash Mode Programming Switching							
T _{SPIDCC} /T _{SPICCD}	D[03:00] setup/hold.		3.0/0	3.0/0	3.0/0	4.0/0	ns, Min
T _{SPIDCC} /T _{SPICCD}	D[07:04] setup/hold.	XCVU3P, XCVU5P, XCVU7P, XCVU9P	4.0/0	4.0/0	4.0/0	5.0/0	ns, Min
		XCVU11P, XCVU13P	4.5/0	4.5/0	4.5/0	7.5/0	ns, Min
T _{SPICCM}	MOSI clock to out.		8.0	8.0	8.0	8.0	ns, Max
T _{SPICFC}	FCS_B clock to out.		8.0	8.0	8.0	8.0	ns, Max

Table 61: Configuration Switching Characteristics (Cont'd)

Symbol	Description	Speed Grade and V _{CCINT} Operating Voltages				Units
		0.90V	0.85V		0.72V	
		-3	-2	-1	-2	
DNA Port Switching						
F _{DNACK}	DNA port frequency.	200	200	200	175	MHz, Max
STARTUPE3 Ports						
T _{USRCCLKO}	STARTUPE3 USRCCLKO input port to CCLK pin output delay.	0.25/ 6.00	0.25/ 6.50	0.25/ 7.50	0.25/ 9.00	ns, Min/Max
T _{DO}	DO[3:0] ports to D03-D00 pins output delay.	0.25/ 6.70	0.25/ 7.70	0.25/ 8.40	0.25/ 10.00	ns, Min/Max
T _{DTS}	DTS[3:0] ports to D03-D00 pins 3-state delays.	0.25/ 6.70	0.25/ 7.70	0.25/ 8.40	0.25/ 10.00	ns, Min/Max
T _{FCSBO}	FCSBO port to FCS_B pin output delay.	0.25/ 6.90	0.25/ 7.50	0.25/ 8.40	0.25/ 9.80	ns, Min/Max
T _{FCSBTS}	FCSBTS port to FCS_B pin 3-state delay.	0.25/ 6.90	0.25/ 7.50	0.25/ 8.40	0.25/ 9.80	ns, Min/Max
T _{USRDONEO}	USRDONEO port to DONE pin output delay.	0.25/ 8.60	0.25/ 9.40	0.25/ 10.50	0.25/ 12.10	ns, Min/Max
T _{USRDONETS}	USRDONETS port to DONE pin 3-state delay.	0.25/ 8.60	0.25/ 9.40	0.25/ 10.50	0.25/ 12.10	ns, Min/Max
T _{DI}	D03-D00 pins to DI[3:0] ports input delay.	0.5/ 2.6	0.5/ 3.1	0.5/ 3.5	0.5/ 4.0	ns, Min/Max
F _{CFGMCLK}	STARTUPE3 CFGMCLK output frequency.	50	50	50	50	MHz, Typ
F _{CFGMCLKTOL}	STARTUPE3 CFGMCLK output frequency tolerance.	±15	±15	±15	±15	%, Max
T _{DCI_MATCH}	Specifies a stall in the startup cycle until the digitally controlled impedance (DCI) match signals are asserted.	4	4	4	4	ms, Max

Notes:

1. When the CCLK is sourced from the EMCCLK pin with a divide-by-one setting, the external EMCCLK must meet this duty-cycle requirement.

Revision History

The following table shows the revision history for this document.

Date	Version	Description of Revisions
04/19/2017	1.1	<p>Updated the Summary description. In Table 1, updated Note 6, added data, and added Note 7, Note 8, and Note 9. Updated and added data to Table 2 through Table 6.</p> <p>Removed the -1LI speed grade.</p> <p>Updated Table 16, Table 17, and Table 18 to production release in Vivado Design Suite 2017.1 for the XCVU3P: -2E, -2I, -1E, -1I.</p> <p>Updated Table 15. Added Note 1 to Table 17. Updated Table 19, Table 20, Table 24, Table 25, Table 26, Table 28, Table 29, and Table 30. Added Table 21. Added MMCM_FDPRCLK_MAX to Table 33 and PLL_FDPRCLK_MAX to Table 34. Updated to Vivado Design Suite 2017.1 Table 35, Table 36, Table 37, and Table 38. Added data to Table 39 and Table 40. Updated the GTY Transceiver Specifications section. Revised the Integrated Interface Block for Interlaken section. Updated the System Monitor Specifications section adding notes to the tables. Updated the Configuration Switching Characteristics section. Removed the <i>eFUSE Programming Conditions</i> table and added the specifications to Table 2 and Table 3. Updated the Automotive Applications Disclaimer.</p>
04/20/2016	1.0	Initial Xilinx release.

Notice of Disclaimer

The information disclosed to you hereunder (the "Materials") is provided solely for the selection and use of Xilinx products. To the maximum extent permitted by applicable law: (1) Materials are made available "AS IS" and with all faults, Xilinx hereby DISCLAIMS ALL WARRANTIES AND CONDITIONS, EXPRESS, IMPLIED, OR STATUTORY, INCLUDING BUT NOT LIMITED TO WARRANTIES OF MERCHANTABILITY, NON-INFRINGEMENT, OR FITNESS FOR ANY PARTICULAR PURPOSE; and (2) Xilinx shall not be liable (whether in contract or tort, including negligence, or under any other theory of liability) for any loss or damage of any kind or nature related to, arising under, or in connection with, the Materials (including your use of the Materials), including for any direct, indirect, special, incidental, or consequential loss or damage (including loss of data, profits, goodwill, or any type of loss or damage suffered as a result of any action brought by a third party) even if such damage or loss was reasonably foreseeable or Xilinx had been advised of the possibility of the same. Xilinx assumes no obligation to correct any errors contained in the Materials or to notify you of updates to the Materials or to product specifications. You may not reproduce, modify, distribute, or publicly display the Materials without prior written consent. Certain products are subject to the terms and conditions of Xilinx's limited warranty, please refer to Xilinx's Terms of Sale which can be viewed at www.xilinx.com/legal.htm#tos; IP cores may be subject to warranty and support terms contained in a license issued to you by Xilinx. Xilinx products are not designed or intended to be fail-safe or for use in any application requiring fail-safe performance; you assume sole risk and liability for use of Xilinx products in such critical applications, please refer to Xilinx's Terms of Sale which can be viewed at www.xilinx.com/legal.htm#tos.

Automotive Applications Disclaimer

AUTOMOTIVE PRODUCTS (IDENTIFIED AS "XA" IN THE PART NUMBER) ARE NOT WARRANTED FOR USE IN THE DEPLOYMENT OF AIRBAGS OR FOR USE IN APPLICATIONS THAT AFFECT CONTROL OF A VEHICLE ("SAFETY APPLICATION") UNLESS THERE IS A SAFETY CONCEPT OR REDUNDANCY FEATURE CONSISTENT WITH THE ISO 26262 AUTOMOTIVE SAFETY STANDARD ("SAFETY DESIGN"). CUSTOMER SHALL, PRIOR TO USING OR DISTRIBUTING ANY SYSTEMS THAT INCORPORATE PRODUCTS, THOROUGHLY TEST SUCH SYSTEMS FOR SAFETY PURPOSES. USE OF PRODUCTS IN A SAFETY APPLICATION WITHOUT A SAFETY DESIGN IS FULLY AT THE RISK OF CUSTOMER, SUBJECT ONLY TO APPLICABLE LAWS AND REGULATIONS GOVERNING LIMITATIONS ON PRODUCT LIABILITY.