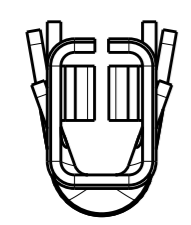
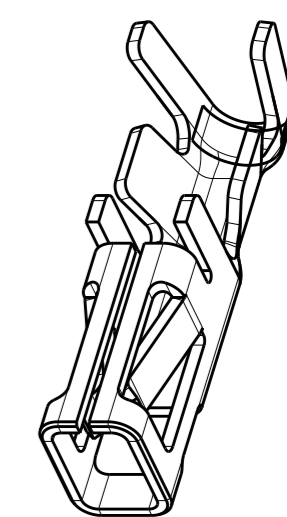
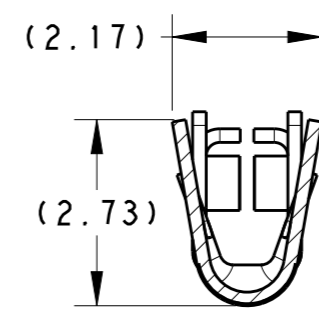
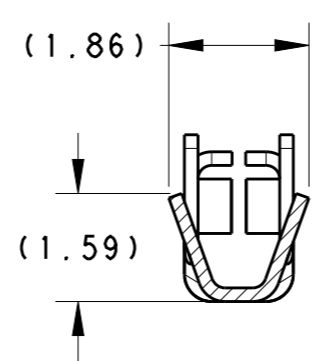
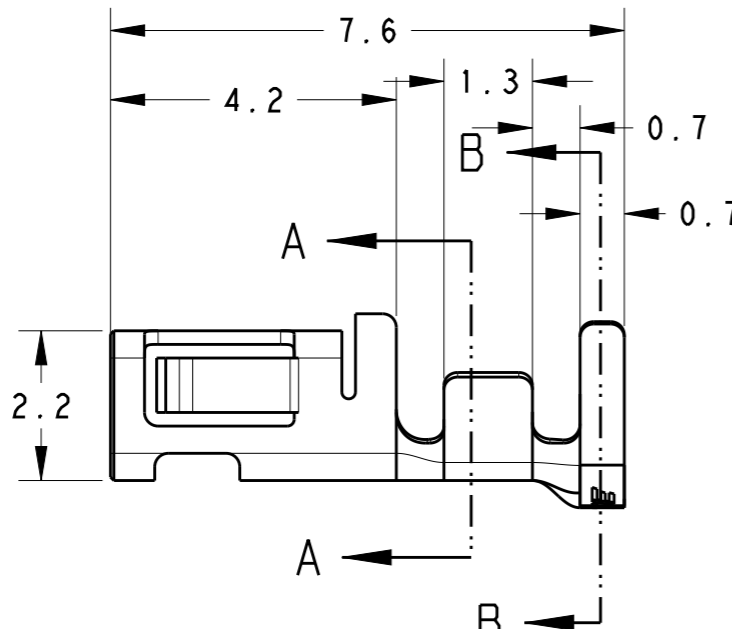
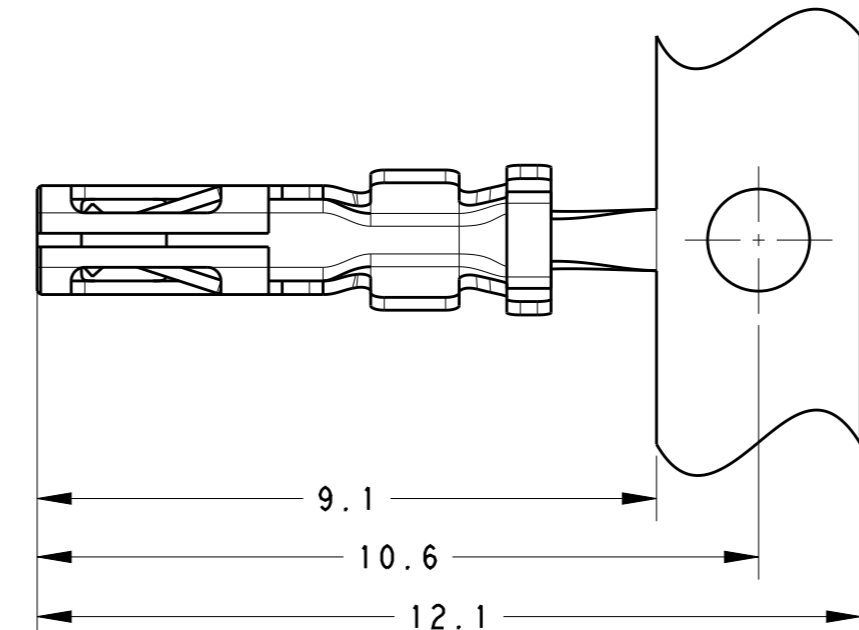
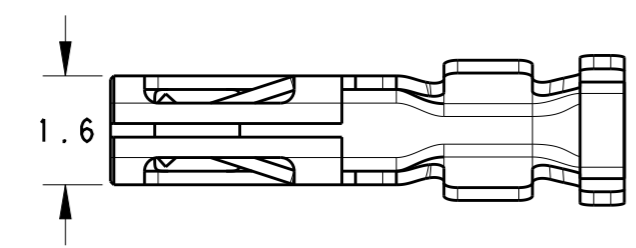


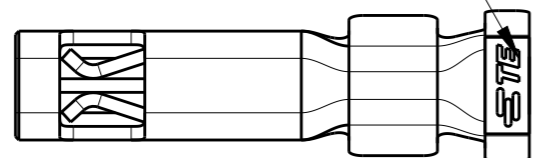
THIS DRAWING IS UNPUBLISHED. RELEASED FOR PUBLICATION  
 © COPYRIGHT BY - TE CONNECTIVITY ALL RIGHTS RESERVED.

| LOC | DIST | REVISIONS   |                           |           |         |
|-----|------|-------------|---------------------------|-----------|---------|
| P   | LTR  | DESCRIPTION | DATE                      | DWN       | APVD    |
| -   | -    | A3          | REVISED PER ECR-16-012640 | 28SEP2016 | O.C D.Z |



1. APPLICABLE PLUG HOUSING P/N: X-1971793-X

TRADE MARK



|                              |                |                      |           |           |
|------------------------------|----------------|----------------------|-----------|-----------|
| AWG#22~#28<br>0.079~0.38MM^2 | 1.08~1.50      | PRE-TIN COPPER ALLOY | 7         | 1971795-1 |
| WIRE RANGE                   | INSULATION DIA | MATERIAL             | APPL FEED | PART NO.  |

|   |                                |                                   |            |                |  |                    |
|---|--------------------------------|-----------------------------------|------------|----------------|--|--------------------|
| THIS DRAWING IS A CONTROLLED DOCUMENT.  |                                | DWN FEB 21, 2012<br>HAI JUN ZHANG |            |                |  |                    |
| DIMENSIONS: mm  |                                | CHK FEB 21, 2012<br>HAI JUN ZHANG |            |                | NAME<br><b>RECEPTACLE CONTACT, 2.5 PITCH<br/>         NEXT GENERATION GI CONNECTOR</b> |                    |
| TOLERANCES UNLESS OTHERWISE SPECIFIED:  |                                | APVD FEB 23, 2012<br>ERIC KONG    |            |                |  |                    |
| 0 PLC ±-<br>1 PLC ±0.3<br>2 PLC ±0.1<br>3 PLC ±-<br>4 PLC ±-<br>ANGLES ±-<br>FINISH - |                                | PRODUCT SPEC<br>108-106077        |            |                |  |                    |
| MATERIAL SEE TABLE  | APPLICATION SPEC<br>114-106077 | WEIGHT<br>0.056g                  | SIZE<br>A3 | CAGE CODE<br>- | DRAWING NO<br>C-1971795  | RESTRICTED TO<br>- |
| CUSTOMER DRAWING  |                                |                                   | SCALE /    | SHEET 1 OF 1   | REV A3   |                    |