

IF detector IC for 900MHz spread spectrum cordless phones

BH4127FV

The BH4127FV is a mixer, IF amplifier, and FM detector IC developed for use with 900MHz spread spectrum cordless phones

●Applications

900MHz spread spectrum cordless phones

●Features

- 1) Built-in mixer circuit, IF circuit, RSSI circuit, and FM detector circuit.
- 2) Operates at mixer input frequencies ranging from 20 to 300 MHz.
- 3) Equipped with a battery save function.
- 4) FM detector circuit demodulates up to $\pm 750\text{kHzdev}$.
- 5) FM detector circuit demodulates up to 2.6Mbps.

●Absolute maximum ratings (Ta = 25°C, with the measurement circuit)

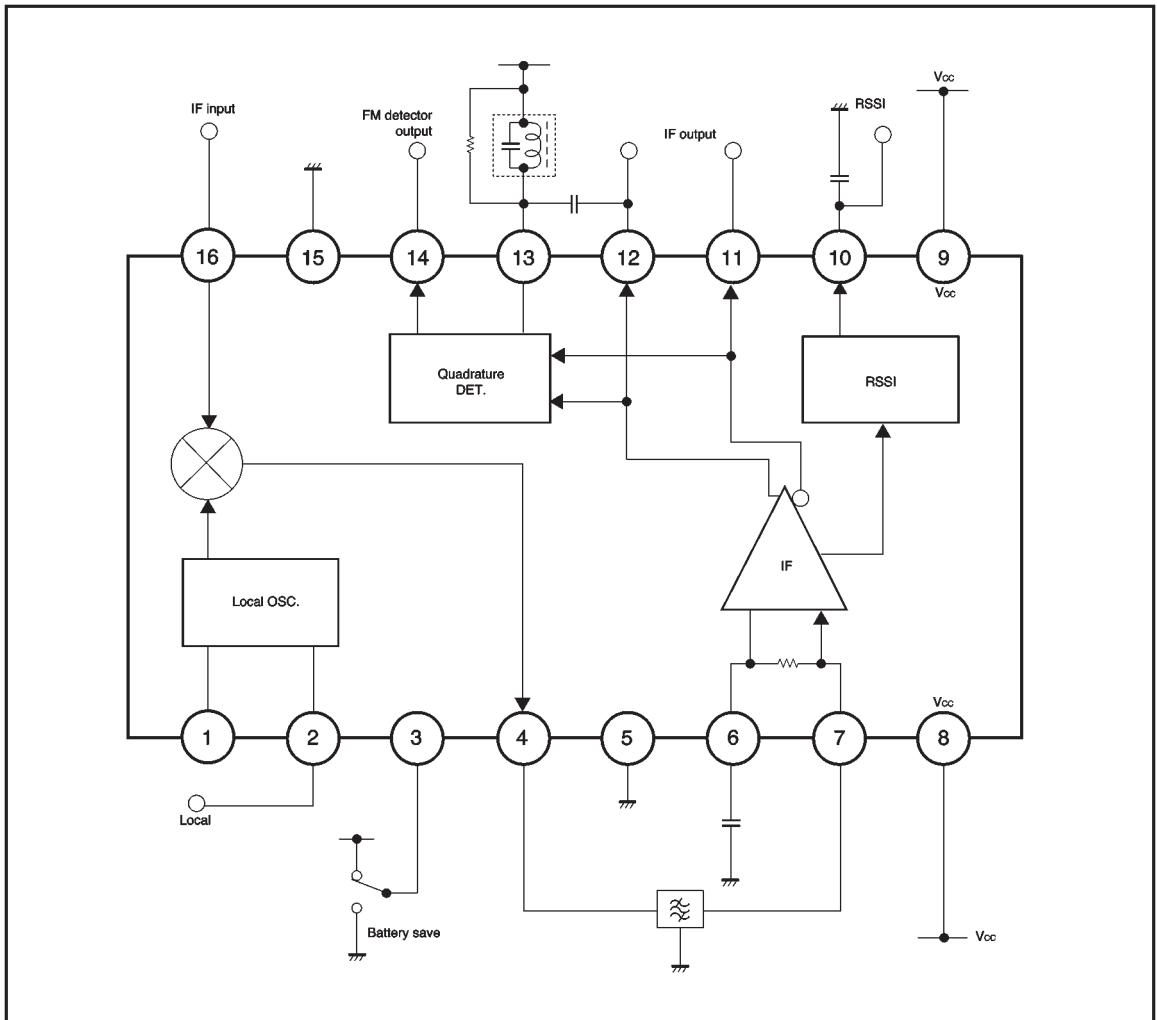
Parameter	Symbol	Limits	Unit
Power supply voltage	V _{CC}	7.0	V
Power dissipation	P _D	350*	mW
Storage temperature	T _{stg}	-55~+125	°C

* Reduced by 3.5mW for each increase in Ta of 1°C over 25°C.

●Recommended operating conditions

Parameter	Symbol	Limits	Unit
Power supply voltage	V _{CC}	2.3~5.5	V
Operating temperature	T _{opr}	-40~+85	°C

● Block diagram



● Pin descriptions

Pin No.	Function	Internal peripheral circuit	DC voltage (V)
1	Local oscillator pin (base) Connect crystal resonator and capacitor		$V_{CC}-0.6$
2	Local oscillator pin (emitter) Connect crystal resonator or inject from external capacitor		V_{CC}
3	Battery save pin Pin 3 voltage $\leq 0.2V$: Battery save $2V \leq$ pin 3 voltage $\leq V_{CC}$: Active		—
4	Mixer output pin Connect ceramic filter Output impedance: $330\ \Omega$		$V_{CC}-1.5$
5	Ground pin	GND for IF stage and FM detection stage	GND
6	IF amplifier bypass pin Connect capacitor		V_{CC}
7	IF amplifier input pin Connect ceramic filter Input impedance: $330\ \Omega$		V_{CC}
8	V_{CC} pin 1	V_{CC} for MIX stage and IF early stage	V_{CC}
9	V_{CC} pin 2	V_{CC} for IF later stage and FM detection stage	V_{CC}

Pin No.	Function	Internal peripheral circuit	DC voltage (V)
10	RSSI output pin Connect capacitor		0.1
11 12	IF amplifier output pin Pins 11 and 12 are opposite-phase output		Vcc-1
13	Discriminator pin Connect phase shift coil or ceramic discriminator		Vcc
14	FM demodulated signal output pin Output impedance is 360 Ω		0.9
15	Ground pin	GND for MIX stage	GND
16	Mixer pin Connect first IF signal from DC cutoff		1.0

●Electrical characteristics (unless otherwise noted, Ta = 25°C, Vcc = 3.0V)

Signal source: f_{IN(MIX)} = 254.4MHz, f_{IN(LO)} = 243.2MHz, 100dBμV, f_{IN(IF)} = 11.2MHz

AC level to be indicated by termination

Parameter	Symbol	Min.	Typ.	Max.	Unit	Conditions
Quiescent current	I _Q	4.4	5.5	6.6	mA	With local oscillation OFF
Current during battery save	I _{Q(BS)}	—	0	5	μA	—
Battery save function input voltage	V _{TH-H}	2	—	V _{CC}	V	Active
	V _{TH-L}	GND	—	0.2	V	Battery save
〈MIX—oscillator〉						
Mixer operating frequency	f _{MIX}	20	—	300	MHz	—
Mixer conversion gain	G _{VC}	16	20	24	dB	V _{IN(MIX)} = 60dB μV
—1dB compression output level	V _{OM}	—	103	—	dB μV	—
3rd order intercept point	IP ₃	—	110	—	dB μV	f ₁ = 248.75MHz, f ₂ = 249.05MHz
Noise index	NF	—	9.7	—	dB	LC matching input
Mixer input admittance	Y _{IN(MIX)}	—	1.25+j7.47	—	ms	f = 250MHz
Mixer output resistance	R _{O(MIX)}	—	330	—	Ω	—
Local oscillator operating frequency	f _{LO}	20	—	120	MHz	—
Local input level	V _{IN(LO)}	95	100	105	dB μV	—
Local input admittance	Y _{IN(LO)}	—	1.36+j9.72	—	ms	f = 250MHz
〈IF section〉						
IF operating frequency	f _{IF}	4	—	15	MHz	—
IF amplifier gain	G _V	—	75	—	dB	—
IF input resistance	R _{IN(IF)}	—	330	—	Ω	—
IF output level	V _{OIF}	0.4	0.5	0.6	V _{P-P}	V _{IN(IF)} = 80dB μV
IF output duty ratio	D _R	40	50	60	%	V _{IN(IF)} = 80dB μV, C _L = 10pF
〈RSSI section〉						
Output voltage 1	V _{RSSI1}	—	0.15	0.4	V	No input
Output voltage 2	V _{RSSI2}	1.0	1.2	1.4	V	V _{IN(IF)} = 70dB μV
Output voltage 3	V _{RSSI3}	1.8	2.0	2.2	V	V _{IN(IF)} = 100dB μV
Dynamic range	D _R	—	70	—	dB	—
Output resistance	R _{O(RSSI)}	12	15	18	kΩ	—
Rise time at power on	T _{ON}	—	20	—	μs	C _L = 100pF, V _{IN(MIX)} = 60dB μV
Fall time at power off	T _{OFF}	—	5	—	μs	C _L = 100pF, V _{IN(MIX)} = 60dB μV
RSSI rise time	T _R	—	9	—	μs	C _L = 100pF, V _{IN(MIX)} = 60dB μV
RSSI fall time	T _F	—	11	—	μs	C _L = 100pF, V _{IN(MIX)} = 60dB μV

Signal source: $f_{IN(IF)} = 11.2\text{MHz}$, $\Delta f = \pm 100\text{kHz dev}$, $f_m = 1\text{kHz}$

AC level to be indicated by termination

Parameter	Symbol	Min.	Typ.	Max.	Unit	Conditions
<Detector section>						
Detection sensitivity	S_{DET}	—	1.243	—	mV / kHz	$V_{IN(IF)} = 80\text{dB } \mu\text{V}$
Detection output level	V_O	63	87	120	mV _{rms}	$V_{IN(IF)} = 80\text{dB } \mu\text{V}$
Detection frequency	f_{DET}	—	1.3	—	MHz	$V_{IN(IF)} = 80\text{dB } \mu\text{V}$
12dB SINAD sensitivity	$S_{(12dB)}$	12	16	20	dB μV	
S / N ratio	S / N	—	70	—	dB	$V_{IN(IF)} = 80\text{dB } \mu\text{V}$
AM rejection ratio	AMR	—	60	—	dB	$V_{IN(IF)} = 80\text{dB } \mu\text{V}$, AM=30%

● Measurement circuit

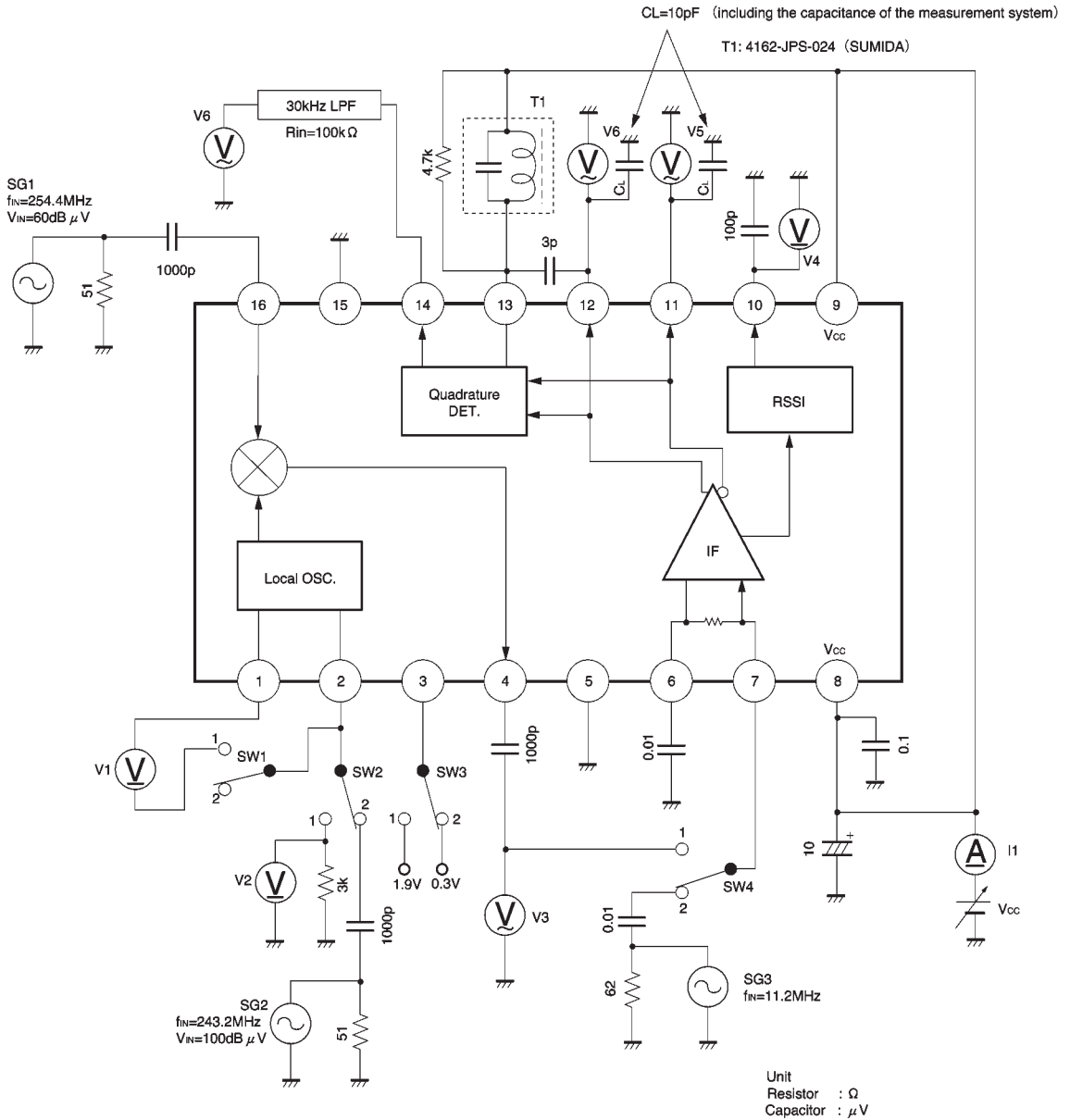


Fig.1

●Application example

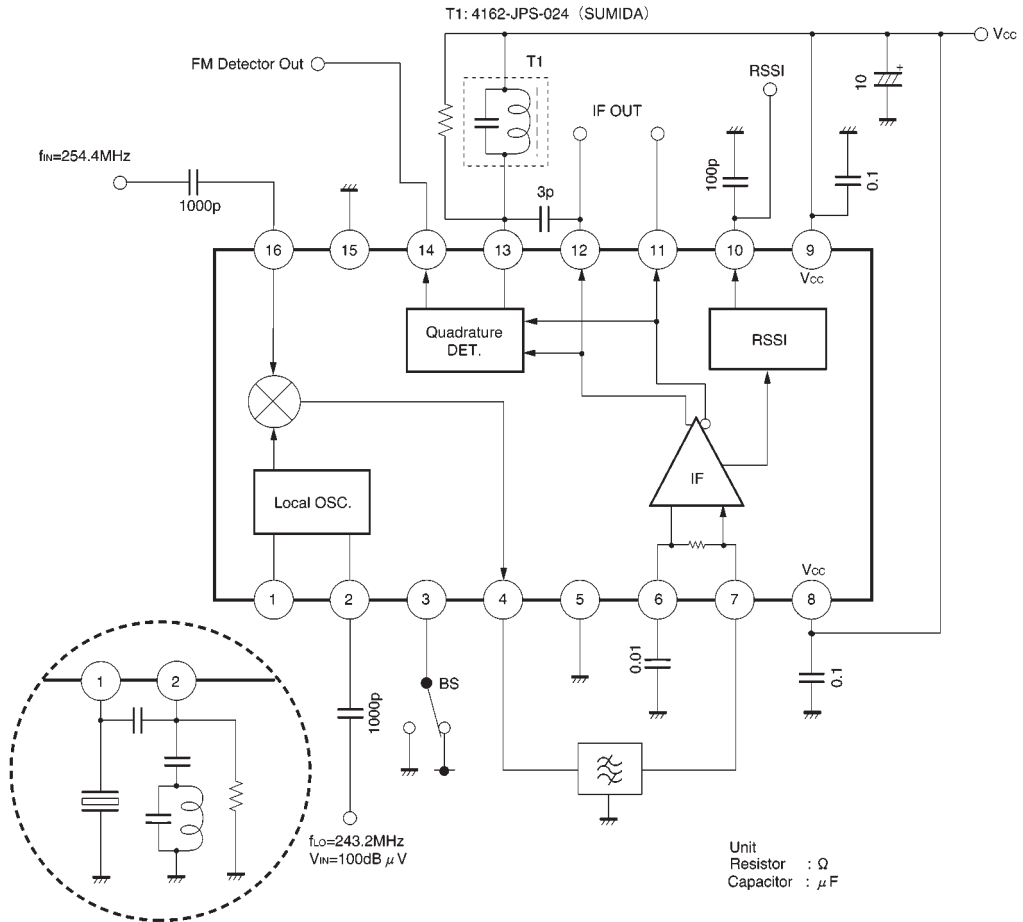
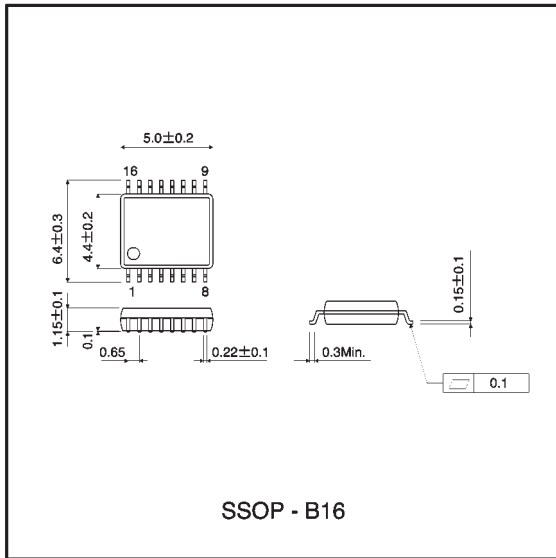


Fig.2

● External dimensions (Units: mm)



Notes

- No technical content pages of this document may be reproduced in any form or transmitted by any means without prior permission of ROHM CO.,LTD.
- The contents described herein are subject to change without notice. The specifications for the product described in this document are for reference only. Upon actual use, therefore, please request that specifications to be separately delivered.
- Application circuit diagrams and circuit constants contained herein are shown as examples of standard use and operation. Please pay careful attention to the peripheral conditions when designing circuits and deciding upon circuit constants in the set.
- Any data, including, but not limited to application circuit diagrams information, described herein are intended only as illustrations of such devices and not as the specifications for such devices. ROHM CO.,LTD. disclaims any warranty that any use of such devices shall be free from infringement of any third party's intellectual property rights or other proprietary rights, and further, assumes no liability of whatsoever nature in the event of any such infringement, or arising from or connected with or related to the use of such devices.
- Upon the sale of any such devices, other than for buyer's right to use such devices itself, resell or otherwise dispose of the same, no express or implied right or license to practice or commercially exploit any intellectual property rights or other proprietary rights owned or controlled by
- ROHM CO., LTD. is granted to any such buyer.
- Products listed in this document use silicon as a basic material.
Products listed in this document are no antiradiation design.

The products listed in this document are designed to be used with ordinary electronic equipment or devices (such as audio visual equipment, office-automation equipment, communications devices, electrical appliances and electronic toys).

Should you intend to use these products with equipment or devices which require an extremely high level of reliability and the malfunction of which would directly endanger human life (such as medical instruments, transportation equipment, aerospace machinery, nuclear-reactor controllers, fuel controllers and other safety devices), please be sure to consult with our sales representative in advance.

About Export Control Order in Japan

Products described herein are the objects of controlled goods in Annex 1 (Item 16) of Export Trade Control Order in Japan.

In case of export from Japan, please confirm if it applies to "objective" criteria or an "informed" (by MITI clause) on the basis of "catch all controls for Non-Proliferation of Weapons of Mass Destruction.