

CGA5L3X5R1V225K160AB

TDK Item Description : CGA5L3X5R1V225KT****



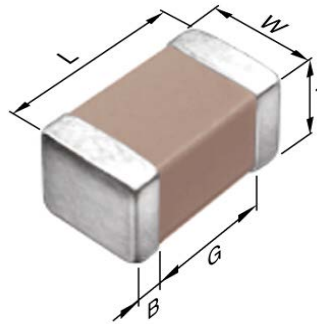
Equivalent C3216X5R1V225K for Automotive

Application & Main Feature

Automotive Grade (General (Up to 50V))

Series

CGA5(3216) [EIA 1206]



Dimensions

L	3.20mm +0.3,-0.1mm
W	1.60mm +0.3,-0.1mm
T	1.60mm +0.3,-0.1mm
B	0.20mm Min.
G	1.00mm Min.

Temperature Characteristic

X5R (-55 to 85 degC +/-15%)

Rated Voltage

1V (35Vdc)

Capacitance

2.2uF

Capacitance Tolerance

K (+/-10%)

Dissipation Factor

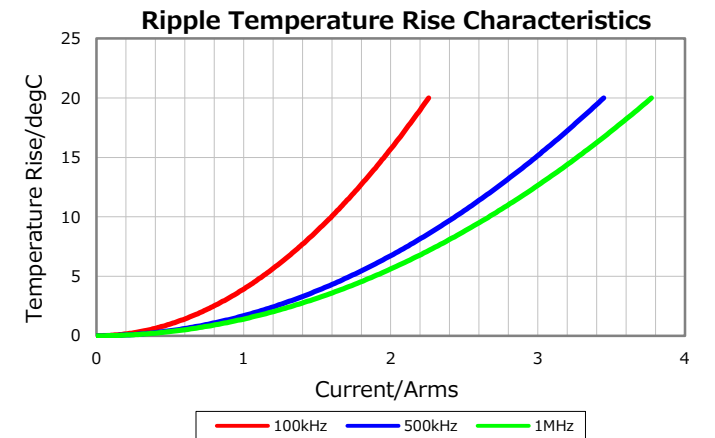
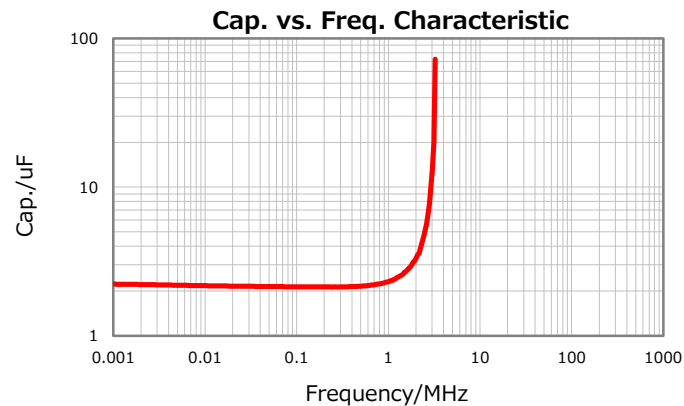
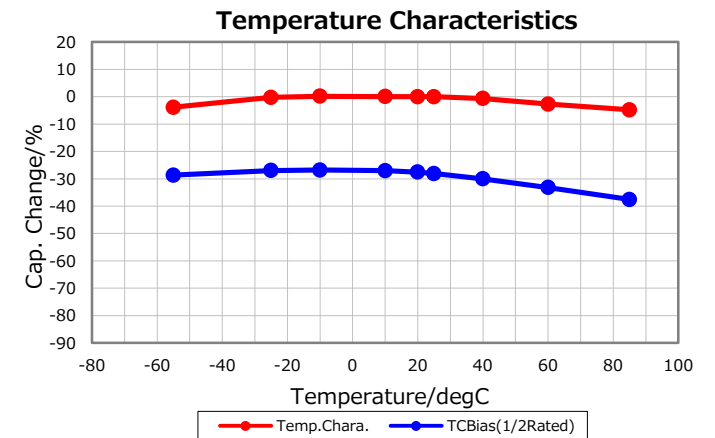
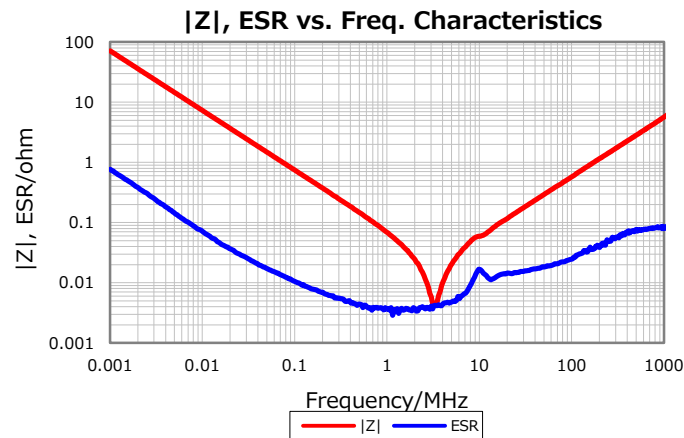
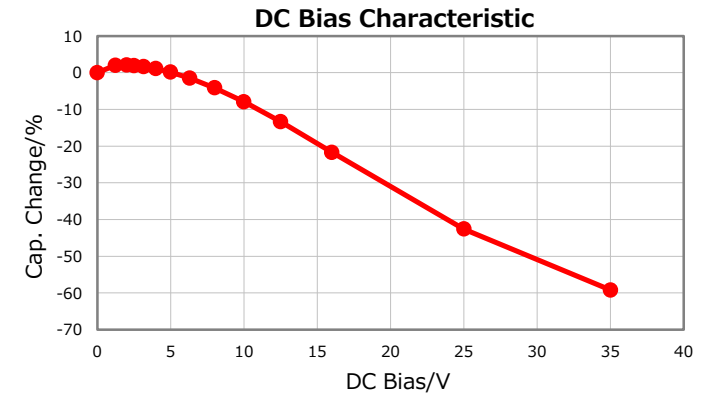
5% Max.

Insulation Resistance

227Mohm Min.

AEC-Q200

Yes



Characterization Sheet (Multilayer Ceramic Chip Capacitors)



All specifications are subject to change without notice.

June 29, 2017