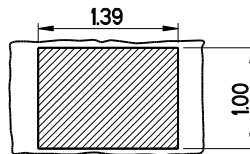


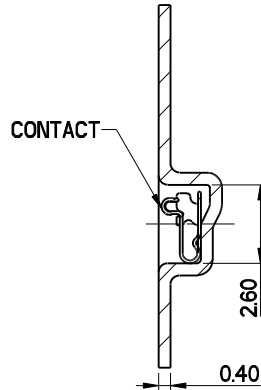
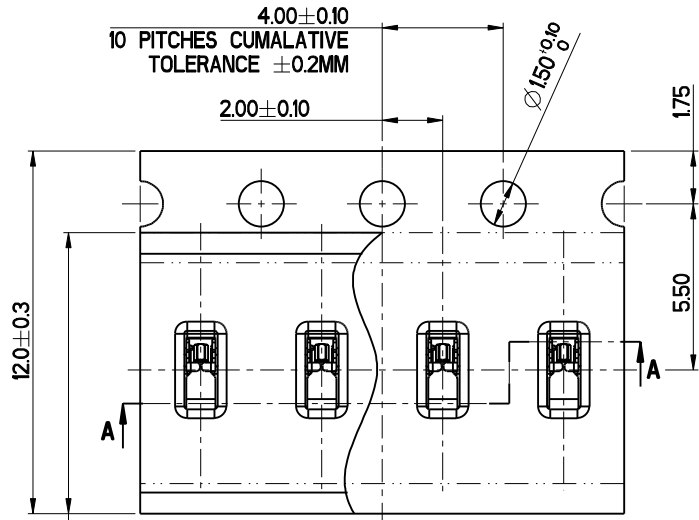
RECOMMENDED P.C.B



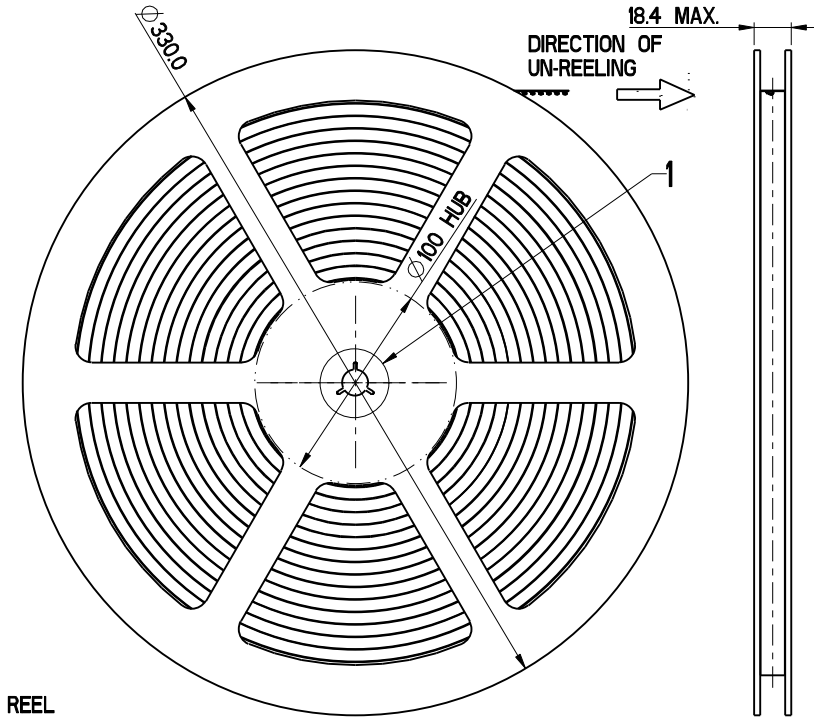
- NOTE:**
1. MATERIAL: TITANIUM COPPER 0.10 THICK
 2. FINISH: NICKEL UNDERPLATE 1.0/3.0 MICRONS
 3. PRE-LOAD FORCE: 0.35 N * CONTACT POINT
 4. FORCE * MAXIMUM DEFLECTION: 0.68 N * CONTACT POINT
 5. RINGED DIMENSIONS AND GEOMETRIC TOLERANCE ARE CRITICAL.

DO NOT SCALE						A3/B	
Drawn	BILLS	12-JUL-11	Material:	 ITT Industries Cannon Electronics (SZ) Co. Ltd. Toupandun Industrial Area, Jinda Cheng, Xiner Village, Shajing Town, Baoan District, Shenzhen City PRC 518125	Pro/E Generic Model		
Checked	PL	12-JUL-11	SEE NOTES 1		Title		
Engineer	BILLS	12-JUL-11			MICRO UNIVERSAL CONTACT Z 1.3mm		
Manufact.	-	-					
Assembly	-	-	Treatment:				
Quality	-	-		Ref: ""	Scale 20:1	Sheet 1 of 2	
Approvals	Sign	Date	Dimensions in: mm	Cust Spec No:	Drwg. No. CU-120220-0310	iss/rev	B

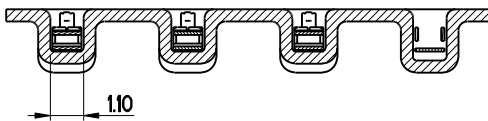
This is issued in strict confidence on condition that it is not used as a basis for manufacture or sale and that it is not copied, reprinted or disclosed to a third party either wholly or in part without the prior written consent of ITT Industries © 24-May-05



SECTION B-B



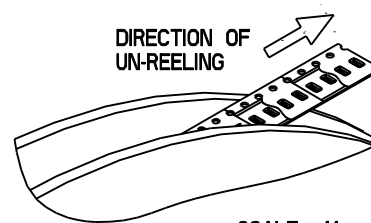
9.3 ANTI-STATIC COVER TAPE
POLYESTER - 0.025 THICK
PRESSURE SEAL



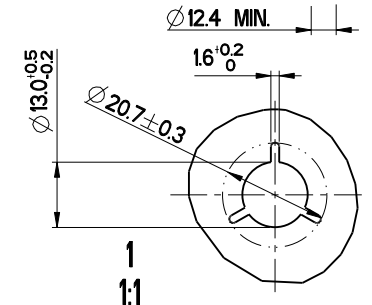
SECTION A-A

PACKAGING DETAILS

- 1) 9500 PCS TO BE PACKED PER REEL
- 2) LEADER : 400 MM
- 3) TRAILER : 160 MM
- 4) REEL MATERIAL - BLACK ANTI-STATIC POLYSTYRENE



SCALE 1:1



1:1

NOTES:

- 1, UNSPECIFIED INTERNAL RADII R0.2 MM MAX.
- 2, CARRIER TAPE MATERIAL - BLACK CONDUCTIVE POLYSTYRENE.

DO NOT SCALE							A3/B	
Drawn	BILLS	10-May-11	Material:	 3rd ANGLE PROJECTION Surface Roughness Unless Specified	 ITT Industries Cannon Electronics (SZ) Co. Ltd.	Toupandun Industrial Area, Jinda Cheng, Xiner Village, Shajing Town, Baoan District, Shenzhen City PRC 518125		Pro/E Generic Model
Checked	PL	10-May-11	SEE NOTES 1			Title		MICRO UNIVERSAL CONTACT Z 1.3mm
Engineer	BILLS	10-May-11	Treatment:	Scale 1:1		Sheet 2 of 2		Drwg. No. 120220-0310
Manufact.	-	-	Dimensions in: mm	Cust Spec No:		1:1		iss/rev B
Assembly	-	-	This is issued in strict confidence on condition that it is not used as a basis for manufacture or sale and that it is not copied, reprinted or disclosed to a third party either wholly or in part without the prior written consent of ITT Industries © 24-May-05					
Quality	-	-						
Approvals	Sign	Date						