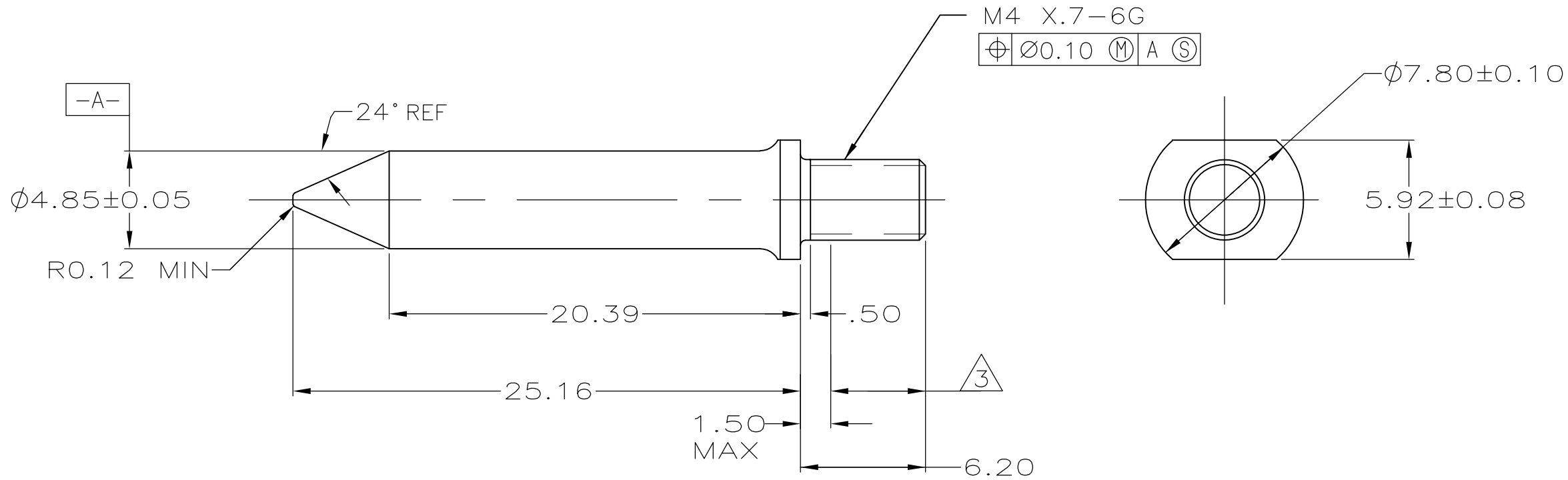


THIS DRAWING IS UNPUBLISHED. RELEASED FOR PUBLICATION
 © COPYRIGHT - By - ALL RIGHTS RESERVED.

LOC	DIST	REVISIONS					
AD	47	P	LTR	DESCRIPTION	DATE	DWN	APVD
		E3		REVISED PER ECR-15-012700	28AUG2015	ML	SZ

- 1 MATERIAL: STAINLESS STEEL.
- 2 FINISH: PASSIVATE.
- 3 LOCTITE DRI-LOC 204 APPLIED IN THIS AREA.
- 4. RECOMMENDED P.C. BOARD DRILLED HOLE DIAMETER IS $4.10 \pm 0.08 \text{mm}$ IF APPLYING A NUT FROM THE REAR OF THE BOARD. IF USING WITH PEM NUT P/N KFS2-M4, DRILLED HOLE DIAMETER SHOULD BE $6.4 \pm 0.08 \text{mm}$.



223956-1
PART NUMBER

THIS DRAWING IS A CONTROLLED DOCUMENT.		DWN	25/JAN/95		TE Connectivity	
		CHK	25/JAN/95			
		APVD	25/JAN/95			
		NAME	D.SINISI			
DIMENSIONS:	TOLERANCES UNLESS OTHERWISE SPECIFIED:	PRODUCT SPEC	GUIDE PIN, UNIVERSAL POWER MODULE			
mm		APPLICATION SPEC	SIZE	CAGE CODE	DRAWING NO	RESTRICTED TO
0 PLC ± - 1 PLC ± - 2 PLC ± 0.13 3 PLC ± - 4 PLC ± - ANGLES ± 0' 30'		WEIGHT	A3	00779	C-223956	-
MATERIAL	FINISH	CUSTOMER DRAWING		SCALE	SHEET	REV
1	2 3			4:1	1 OF 1	E3