

FEATURES

- Transceiver for Memory Card Interface [MultiMediaCard (MMC), Secure Digital (SD), Memory Stick™ Compliant Products, SmartMedia Card, and xD-Picture Card™]
- Configurable I/O Switching Levels With Dual-Supply Pins Operating Over Full 1.4-V to 3.6-V Power-Supply Range
- For Low-Power Operation, A Ports Are Placed in High-Impedance State When Card-Side Supply Voltage Is Switched Off
- Latch-Up Performance Exceeds 100 mA Per JESD 78, Class II
- ESD Protection for Card-Side Pins (B Port)
 - ±15 kV (±12 kV on Pin 14B) – IEC 61000-4-2 ESD, Air-Gap Discharge
 - ±8 kV – IEC 61000-4-2 ESD, Contact Discharge
- ESD Protection for A-Port Pins (Tested Per JESD 22) Exceeds
 - 2000-V Human-Body Model (A114-B)
 - 1000-V Charged-Device Model (C101)

DESCRIPTION/ORDERING INFORMATION

The SN74AVCA406 is a transceiver for interfacing microprocessors with MultiMediaCards (MMCs), secure digital (SD) cards, Memory Stick™ compliant products, SmartMedia cards, or xD-Picture Cards™. It integrates high ESD protection, which eliminates the need for external ESD diodes. Two supply-voltage pins allow the A-port and B-port input switching thresholds to be configured separately. The A port is designed to track V_{CCA} , while the B port is designed to track V_{CCB0} and V_{CCB1} . V_{CCA} , V_{CCB0} and V_{CCB1} can accept any supply voltage from 1.4 V to 3.6 V.

Memory card standards recommend high ESD protection for devices that connect directly to the external memory card. To meet this need, the SN74AVCA406 incorporates ±15-kV air-gap discharge and ±8-kV contact discharge protection on the card side. If V_{CCB0} and V_{CCB1} are switched off (no card inserted), the A-port outputs are placed in the high-impedance state to conserve power.

The SN74AVCA406 enables system designers to easily interface low-voltage microprocessors to different memory cards operating at higher voltages. The mode (MODE0 and MODE1) pins are used to configure the device to interface with different types of cards.

The SN74AVCA406 is offered in the 48-ball MicroStar Jr.™ ball grid array (BGA) package. This package has dimensions of 4 × 4 mm, with a 0.5-mm ball pitch for effective board-space savings. Memory cards are widely used in mobile phones, PDAs, digital cameras, personal media players, camcorders, set-top boxes, etc. Low static power consumption and small package size make the SN74AVCA406 an ideal choice for these applications.

ORDERING INFORMATION

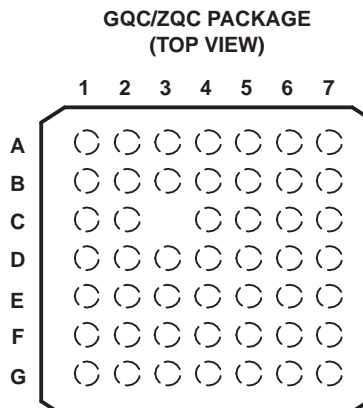
T _A	PACKAGE ⁽¹⁾		ORDERABLE PART NUMBER	TOP-SIDE MARKING
–40°C to 85°C	TSSOP – DGGR	Tape and reel	SN74AVCA406DGGR	AVCA406
	VFBGA – GQC	Tape and reel	SN74AVCA406GQCR	WM406
	VFBGA – ZQC (Pb-free)	Tape and reel	SN74AVCA406ZQCR	

(1) Package drawings, standard packing quantities, thermal data, symbolization, and PCB design guidelines are available at www.ti.com/sc/package.



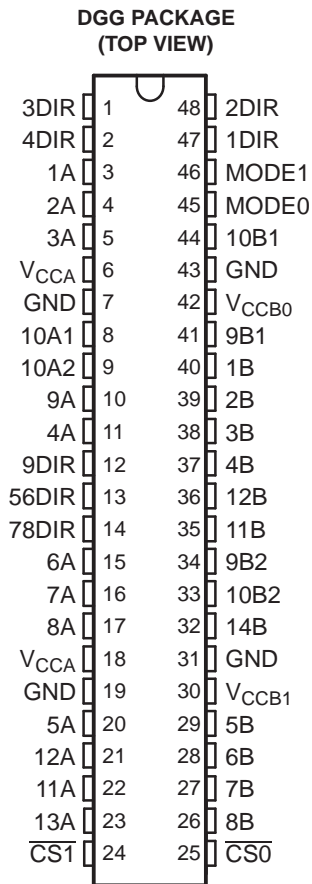
Please be aware that an important notice concerning availability, standard warranty, and use in critical applications of Texas Instruments semiconductor products and disclaimers thereto appears at the end of this data sheet.

All trademarks are the property of their respective owners.

**TERMINAL ASSIGNMENTS⁽¹⁾**

	1	2	3	4	5	6	7
A	V _{CCA}	2A	4DIR	2DIR	MODE1	10B1	V _{CCB0}
B	10A1	3A	1A	1DIR	MODE0	9B1	1B
C	9A	10A2		3DIR	GND	2B	3B
D	9DIR	4A	56DIR	GND	4B	11B	12B
E	78DIR	6A	GND	$\overline{CS0}$	GND	10B2	9B2
F	7A	8A	12A	13A	7B	5B	14B
G	V _{CCA}	5A	11A	$\overline{CS1}$	8B	6B	V _{CCB1}

- (1) V_{CCA} powers all A-port I/Os and control inputs.
 V_{CCB0} powers 1B, 2B, 3B, 4B, 9B1, and 10B1.
 V_{CCB1} powers 5B, 6B, 7B, 8B, 9B2, 10B2, 11B, 12B, and 14B.



Device Operation

The A port is designed to track V_{CCA} . V_{CCA} accepts any supply voltage from 1.4 V to 3.6 V. The B port is designed to track V_{CCB0} and V_{CCB1} . V_{CCB0} and V_{CCB1} can accept any supply voltage from 1.4 V to 3.6 V; however, V_{CCB0} , V_{CCB1} , or both must be greater than or equal to V_{CCA} during normal operation. If V_{CCB0} and V_{CCB1} are both at GND, the A port is in the high-impedance state. The control pins are supplied by V_{CCA} . The microprocessor is connected to the A port, and the memory card(s) are connected to the B port. The device can be configured using MODE0, MODE1, $\overline{CS0}$, and $\overline{CS1}$ pins to interface with 1-bit, 4-bit, or 8-bit memory cards. Outputs 12A and 14B are push-pull and open drain (OD), respectively, except for NAND flash (XD) mode, where they are open drain and push-pull, respectively.

Table 1. Interface With Different Memory Cards

MODE0	MODE1	MEMORY-CARD INTERFACE
0	X	SD/SDIO/MMC/Memory Stick/Memory Stick PRO
1	0	8-bit MMC/4-bit + GPIO translation
1	1	SmartMedia/xD-Picture Card

**Configuration 1a – Interfacing With SD or SDIO Card
(SD Mode or SD 4-Bit Mode)**

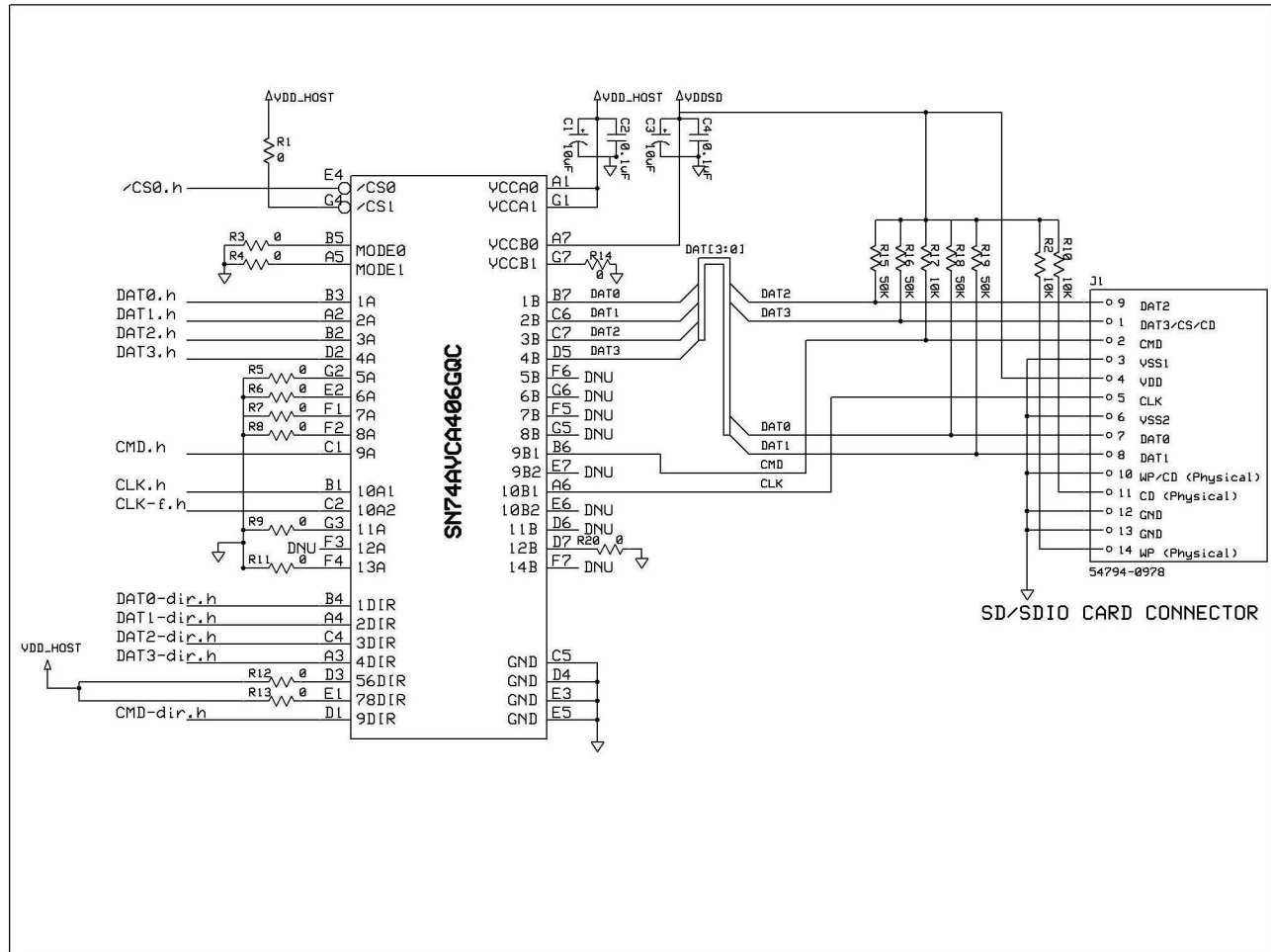


Table 2. SD or SDIO Card

PIN NO.	PIN NAME	SIGNAL NAME OR (CONNECTION)	PIN FUNCTION	PIN TYPE
A1	V _{CCA}	V _{CCA}	A-port supply voltage. V _{CCA} powers all A-port I/Os and control inputs.	Power
B1	10A1	CLK.h	Clock signal from host	Input
C1	9A	CMD.h	Command signal connected to host	I/O
D1	9DIR	CMD-dir.h	Direction control for 9A/9B connected to host	Input
E1	78DIR	(tie-high)	Direction control for 7A/7B and 8A/8B. Not used in this mode. Tie to V _{CCA} .	Input
F1	7A	(tie-low)	I/O pin not used in this mode. Tie to GND.	I/O
G1	V _{CCA}	V _{CCA}	A-port supply voltage. V _{CCA} powers all A-port I/Os and control inputs.	Power
A2	2A	DAT1.h	Data bit 2 connected to host. Referenced to V _{CCA} .	I/O
B2	3A	DAT2.h	Data bit 3 connected to host. Referenced to V _{CCA} .	I/O
C2	10A2	CLK-f.h	Clock feedback to host for resynchronizing data. Used in OMAP processors. Optional on other processors. Leave unconnected if not used.	Output
D2	4A	DAT3.h	Data bit 4 connected to host. Referenced to V _{CCA} .	I/O
E2	6A	(tie-low)	I/O pin not used in this mode. Tie to GND.	I/O
F2	8A	(tie-low)	I/O pin not used in this mode. Tie to GND.	I/O
G2	5A	(tie-low)	I/O pin not used in this mode. Tie to GND.	I/O

Table 2. SD or SDIO Card (continued)

PIN NO.	PIN NAME	SIGNAL NAME OR (CONNECTION)	PIN FUNCTION	PIN TYPE
A3	4DIR	DAT3-dir.h	Direction control for 4A/4B	Input
B3	1A	DAT0.h	Data bit 1 connected to host. Referenced to V_{CCA} .	I/O
C3			Depopulated ball	
D3	56DIR	(tie-high)	Direction control for 5A/5B and 6A/6B. Not used in this mode. Tie to V_{CCA} .	Input
E3	GND	GND	Ground	
F3	12A	DNU	Output pin not used in this mode. Do not use. Leave unconnected.	Output
G3	11A	(tie-low)	Input pin not used in this mode. Tie to GND.	Input
A4	2DIR	DAT1-dir.h	Direction control for 2A/2B connected to host	Input
B4	1DIR	DAT0-dir.h	Direction control for 1A/1B connected to host	Input
C4	3DIR	DAT2-dir.h	Direction control for 3A/3B connected to host	Input
D4	GND	GND	Ground	
E4	$\overline{CS0}$	$\overline{CS0}$.h	Card select from host. Active low. When $\overline{CS0}$ = high, 1A, 2A, 3A, 4A, 1B, 2B, 3B, 4B, 9A, 9B1, and 10A2 are placed in Hi Z, and 10B1 is low.	Input
F4	13A	(tie-low)	Input pin not used in this mode. Tie to GND.	Input
G4	$\overline{CS1}$	(tie-high)	Card select. Not used in this mode. Tie to V_{CCA} for proper operation.	Input
A5	MODE1	(tie-low)	MODE1, MODE0 determine mode of operation (see Table 1). Tie to GND in this mode.	Input
B5	MODE0	(tie-low)		Input
C5	GND	GND	Ground	
D5	4B	DAT3	Data bit 4 connected to card. Referenced to V_{CCB0} .	I/O
E5	GND	GND	Ground	
F5	7B	DNU	I/O pin not used in this mode. Leave unconnected.	I/O
G5	8B	DNU	I/O pin not used in this mode. Leave unconnected.	I/O
A6	10B1	CLK	Clock signal connected to card	Output
B6	9B1	CMD	Command signal connected to card	Output
C6	2B	DAT1	Data bit 2 connected to card. Referenced to V_{CCB0} .	I/O
D6	11B	DNU	Output pin not used in this mode. Do not use. Leave unconnected.	Output
E6	10B2	DNU	Output pin not used in this mode. Do not use. Leave unconnected.	Output
F6	5B	DNU	I/O pin not used in this mode. Leave unconnected.	I/O
G6	6B	DNU	I/O pin not used in this mode. Leave unconnected.	I/O
A7	V_{CCB0}	V_{CCB0}	B-port supply voltage. V_{CCB0} powers 1B, 2B, 3B, 4B, 9B1, and 10B1.	Power
B7	1B	DAT0	Data bit 1 connected to card. Referenced to V_{CCB0} .	I/O
C7	3B	DAT3	Data bit 3 connected to card. Referenced to V_{CCB0} .	I/O
D7	12B	(tie-low)	Input pin not used in this mode. Tie to GND.	Input
E7	9B2	DNU	I/O pin not used in this mode. Leave unconnected.	I/O
F7	14B	DNU	Open-drain output not used in this mode. Leave unconnected.	Output
G7	V_{CCB1}	(tie-low)	B-port supply voltage. V_{CCB1} powers 5B, 6B, 7B, 8B, 9B2, 10B2, 11B, 12B, and 14B. Not used in this mode. Tie to GND.	Power

Configuration 1b - Interfacing With SD Card or MMC
(SD 1-Bit Mode or MMC Mode)

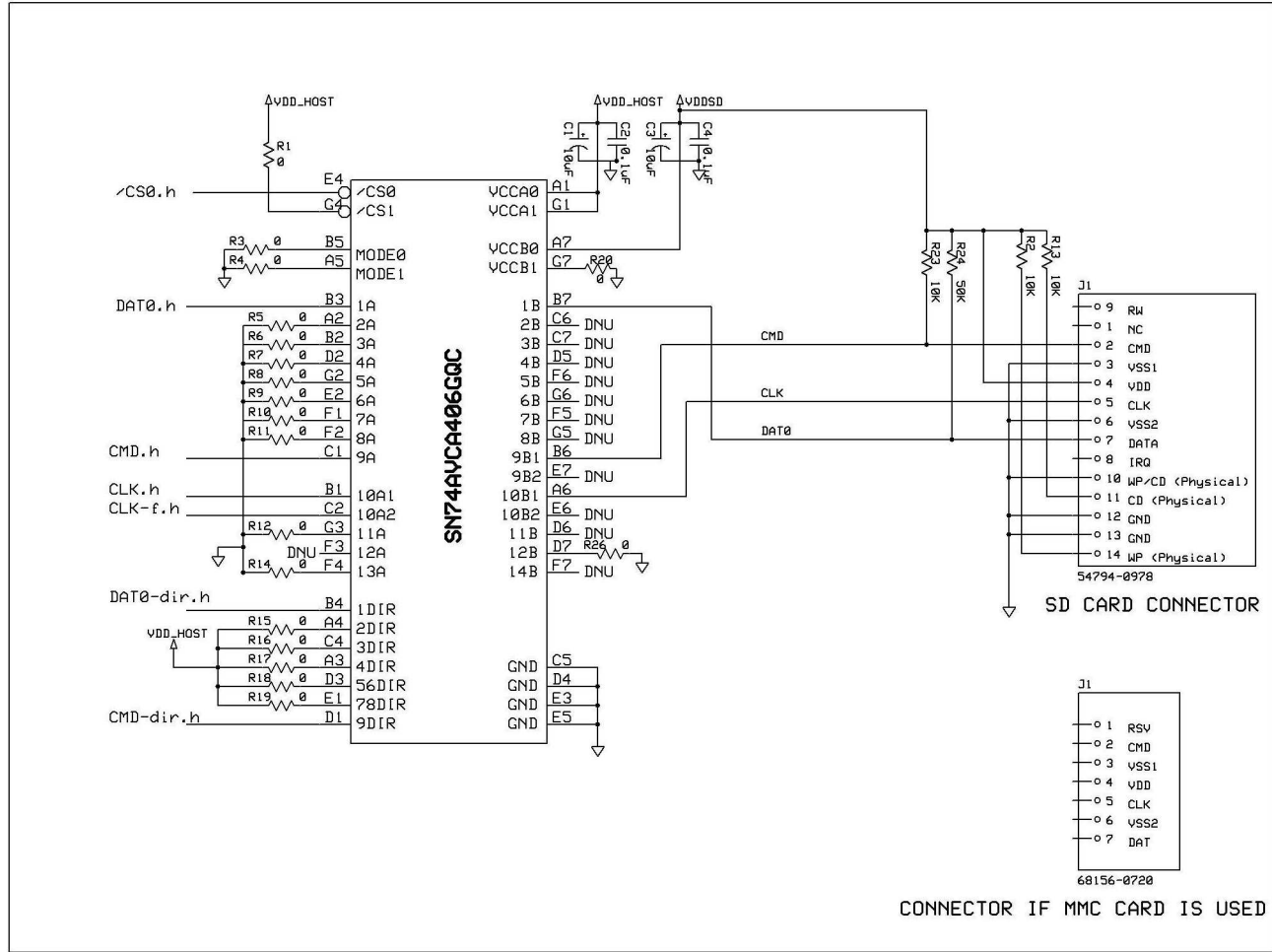


Table 3. SD Card or MMC

PIN NO.	PIN NAME	SIGNAL NAME OR (CONNECTION)	PIN FUNCTION	PIN TYPE
A1	V _{CCA}	V _{CCA}	A-port supply voltage. V _{CCA} powers all A-port I/Os and control inputs.	Power
B1	10A1	CLK.h	Clock signal from host	Input
C1	9A	CMD.h	Command signal connected to host	I/O
D1	9DIR	CMD-dir.h	Direction control for 9A/9B	Input
E1	78DIR	(tie-high)	Direction control for 7A/7B and 8A/8B. Not used in this mode. Tie to V _{CCA} .	Input
F1	7A	(tie-low)	I/O pin not used in this mode. Tie to GND.	I/O
G1	V _{CCA}	V _{CCA}	A-port supply voltage. V _{CCA} powers all A-port I/Os and control inputs.	Power
A2	2A	(tie-low)	I/O pin not used in this mode. Tie to GND.	I/O
B2	3A	(tie-low)	I/O pin not used in this mode. Tie to GND.	I/O
C2	10A2	CLK-f.h	Clock feedback to host for resynchronizing data. Used in OMAP processors. Optional on other processors. Leave unconnected if not used.	Output
D2	4A	(tie-low)	I/O pin not used in this mode. Tie to GND.	I/O
E2	6A	(tie-low)	I/O pin not used in this mode. Tie to GND.	I/O
F2	8A	(tie-low)	I/O pin not used in this mode. Tie to GND.	I/O
G2	5A	(tie-low)	I/O pin not used in this mode. Tie to GND.	I/O

Table 3. SD Card or MMC (continued)

PIN NO.	PIN NAME	SIGNAL NAME OR (CONNECTION)	PIN FUNCTION	PIN TYPE
A3	4DIR	(tie-high)	Direction control for 4A/4B. Not used in this mode. Tie to V_{CCA} .	Input
B3	1A	DAT0.h	Data bit 1 connected to host. Referenced to V_{CCA} .	I/O
C3			Depopulated ball	
D3	56DIR	(tie-high)	Direction control for 5A/5B and 6A/6B. Not used in this mode. Tie to V_{CCA} .	Input
E3	GND	GND	Ground	
F3	12A	DNU	Output pin not used in this mode. Do not use. Leave unconnected.	Output
G3	11A	(tie-low)	Input pin not used in this mode. Tie to GND.	Input
A4	2DIR	(tie-high)	Direction control for 2A/2B connected to host. Not used in this mode. Tie to V_{CCA} .	Input
B4	1DIR	DAT0-dir.h	Direction control for 1A/1B connected to host	Input
C4	3DIR	(tie-high)	Direction control for 3A/3B connected to host. Not used in this mode. Tie to V_{CCA} .	Input
D4	GND	GND	Ground	
E4	$\overline{CS0}$	$\overline{CS0}$.h	Card select from host. Active low. When $\overline{CS0}$ = high, 1A, 2A, 3A, 4A, 1B, 2B, 3B, 4B, and 9B1 are placed in Hi Z.	Input
F4	13A	(tie-low)	Input pin not used in this mode. Tie to GND.	Input
G4	$\overline{CS1}$	(tie-high)	Card select. Not used in this mode. Tie to V_{CCA} for proper operation.	Input
A5	MODE1	(tie-low)	MODE1, MODE0 determine mode of operation (see Table 1). Tie to GND in this mode.	Input
B5	MODE0	(tie-low)		Input
C5	GND	GND	Ground	
D5	4B	DNU	I/O pin not used in this mode. Leave unconnected.	I/O
E5	GND	GND	Ground	
F5	7B	DNU	I/O pin not used in this mode. Leave unconnected.	I/O
G5	8B	DNU	I/O pin not used in this mode. Leave unconnected.	I/O
A6	10B1	CLK	Clock signal connected to card	Output
B6	9B1	CMD	Command signal connected to card	Output
C6	2B	DNU	I/O pin not used in this mode. Leave unconnected.	I/O
D6	11B	DNU	Output pin not used in this mode. Do not use. Leave unconnected.	Output
E6	10B2	DNU	Output pin not used in this mode. Do not use. Leave unconnected.	Output
F6	5B	DNU	I/O pin not used in this mode. Leave unconnected.	I/O
G6	6B	DNU	I/O pin not used in this mode. Leave unconnected.	I/O
A7	V_{CCB0}	V_{CCB0}	B-port supply voltage. V_{CCB0} powers 1B, 2B, 3B, 4B, 9B1, and 10B1.	Power
B7	1B	DAT0	Data bit 1 connected to card. Referenced to V_{CCB0} .	I/O
C7	3B	DNU	I/O pin not used in this mode. Leave unconnected.	I/O
D7	12B	(tie-low)	Input pin not used in this mode. Tie to GND.	Input
E7	9B2	DNU	I/O pin not used in this mode. Leave unconnected.	I/O
F7	14B	DNU	Open-drain output not used in this mode. Leave unconnected.	Output
G7	V_{CCB1}	(tie-low)	B-port supply voltage. V_{CCB1} powers 5B, 6B, 7B, 8B, 9B2, 10B2, 11B, 12B, and 14B. Not used in this mode. Tie to GND.	Power

Configuration 1c - Interfacing With SD/SDIO Card or MMC
(SPI Mode)

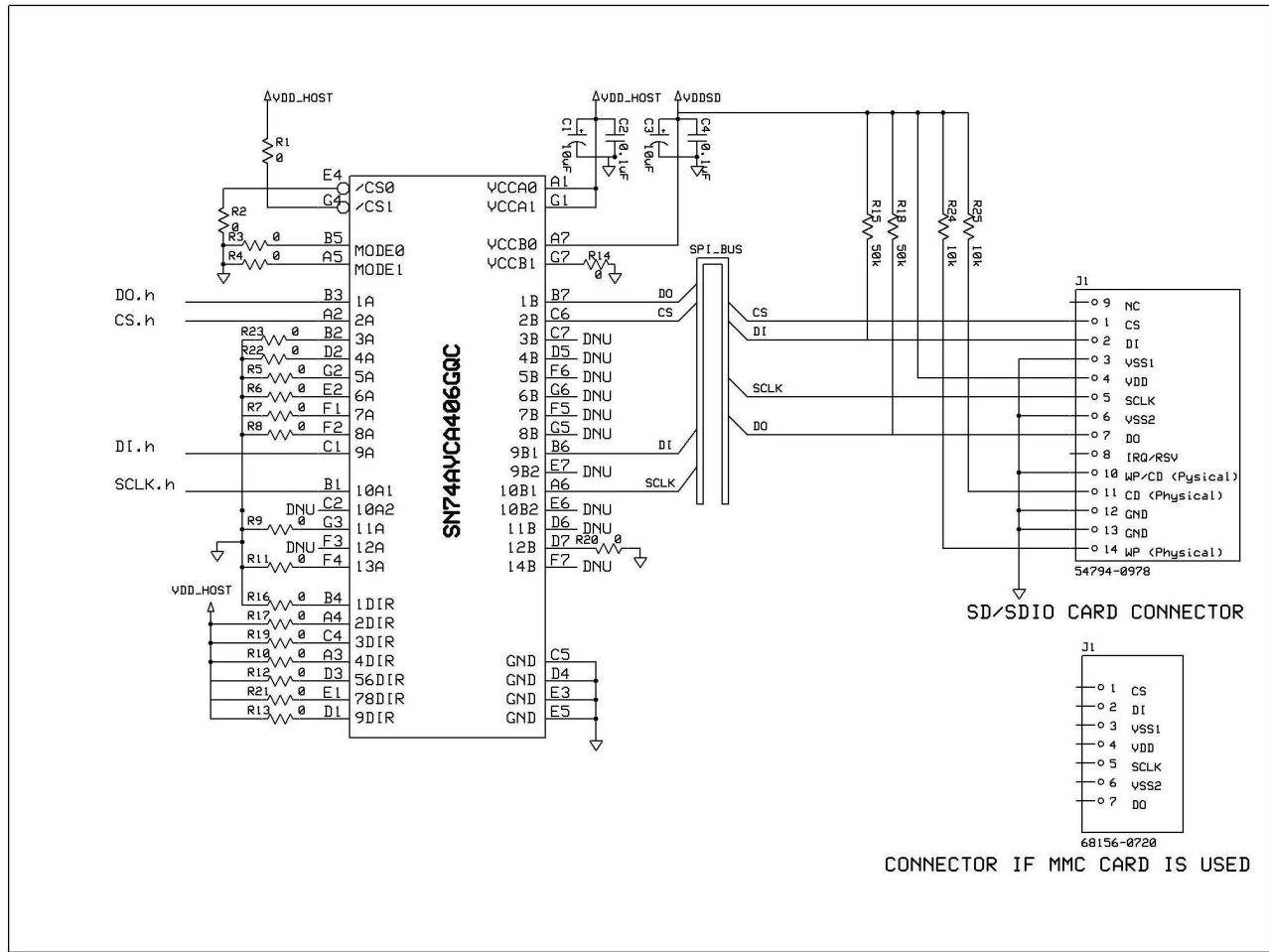


Table 4. SD/SDIO Card or MMC

PIN NO.	PIN NAME	SIGNAL NAME OR (CONNECTION)	PIN FUNCTION	PIN TYPE
A1	V _{CCA}	V _{CCA}	A-port supply voltage. V _{CCA} powers all A-port I/Os and control inputs.	Power
B1	10A1	SCLK.h	Serial clock signal from host	Input
C1	9A	DI.h	Serial data in (master out slave in) connected to host. Connect 9DIR to V _{CCA} to make 9A an input.	I/O
D1	9DIR	(tie-high)	Direction control for 9A/9B. Tie high to make 9A an input and 9B an output.	Input
E1	78DIR	(tie-high)	Direction control for 7A/7B and 8A/8B. Not used in this mode. Tie to V _{CCA} .	Input
F1	7A	(tie-low)	I/O pin not used in this mode. Tie to GND.	I/O
G1	V _{CCA}	V _{CCA}	A-port supply voltage. V _{CCA} powers all A-port I/Os and control inputs.	Power
A2	2A	CS.h	Card select connected to host. Connect 2DIR to V _{CCA} to make 2A an input.	I/O
B2	3A	(tie-low)	I/O pin not used in this mode. Tie to GND.	I/O
C2	10A2	DNU	Clock feedback to host. Not used in this mode. Leave unconnected.	Output
D2	4A	(tie-low)	I/O pin not used in this mode. Tie to GND.	I/O
E2	6A	(tie-low)	I/O pin not used in this mode. Tie to GND.	I/O
F2	8A	(tie-low)	I/O pin not used in this mode. Tie to GND.	I/O
G2	5A	(tie-low)	I/O pin not used in this mode. Tie to GND.	I/O

Table 4. SD/SDIO Card or MMC (continued)

PIN NO.	PIN NAME	SIGNAL NAME OR (CONNECTION)	PIN FUNCTION	PIN TYPE
A3	4DIR	(tie-high)	Direction control for 4A/4B. Not used in this mode. Tie to V_{CCA} .	Input
B3	1A	DO.h	Serial data out (master in slave out) connected to host. Connect 1DIR to GND to make 1A an output.	I/O
C3	Depopulated ball			
D3	56DIR	(tie-high)	Direction control for 5A/5B and 6A/6B. Not used in this mode. Tie to V_{CCA} .	Input
E3	GND	GND	Ground	
F3	12A	DNU	Output pin not used in this mode. Do not use. Leave unconnected.	Output
G3	11A	(tie-low)	Input pin not used in this mode. Tie to GND.	Input
A4	2DIR	(tie-high)	Direction control for 2A/2B. Tie to V_{CCA} to make 2A an input and 2B an output.	Input
B4	1DIR	(tie-low)	Direction control for 1A/1B. Tie to GND to make 1B an input and 1A an output.	Input
C4	3DIR	(tie-high)	Direction control for 3A/3B. Not used in this mode. Tie to V_{CCA} .	Input
D4	GND	GND	Ground	
E4	$\overline{CS0}$	(tie-low)	Card select signal. Not used in this mode. For proper operation, tie to GND.	Input
F4	13A	(tie-low)	Input pin not used in this mode. Tie to GND.	Input
G4	$\overline{CS1}$	(tie-HIGH)	Card select. Not used in this mode. For proper operation, tie to V_{CCA} .	Input
A5	MODE1	(tie-low)	MODE1, MODE0 determine mode of operation (see Table 1). Tie to GND in this mode.	Input
B5	MODE0	(tie-low)		Input
C5	GND	GND	Ground	
D5	4B	DNU	Card select connected to card. Connect 2DIR to V_{CCA} to make 2B an output.	I/O
E5	GND	GND	Ground	
F5	7B	DNU	I/O pin not used in this mode. Leave unconnected.	I/O
G5	8B	DNU	I/O pin not used in this mode. Leave unconnected.	I/O
A6	10B1	SCLK	Serial clock signal connected to card	Output
B6	9B1	DI	Serial data in (master out slave in) connected to card	Output
C6	2B	CS	I/O pin not used in this mode. Leave unconnected.	I/O
D6	11B	DNU	Output pin not used in this mode. Leave unconnected.	Output
E6	10B2	DNU	Output pin not used in this mode. Leave unconnected.	Output
F6	5B	DNU	I/O pin not used in this mode. Leave unconnected.	I/O
G6	6B	DNU	I/O pin not used in this mode. Leave unconnected.	I/O
A7	V_{CCB0}	V_{CCB0}	B-port supply voltage. V_{CCB0} powers 1B, 2B, 3B, 4B, 9B1, and 10B1.	Power
B7	1B	DO	Serial data out (master in slave out) connected to host. Connect 1DIR to GND to make 1B an input.	I/O
C7	3B	DNU	I/O pin not used in this mode. Leave unconnected.	I/O
D7	12B	(tie-low)	Input pin not used in this mode. Tie to GND.	Input
E7	9B2	DNU	I/O pin not used in this mode. Leave unconnected.	I/O
F7	14B	DNU	Open-drain output not used in this mode. Leave unconnected.	Output
G7	V_{CCB1}	(tie-low)	B-port supply voltage. V_{CCB1} powers 5B, 6B, 7B, 8B, 9B2, 10B2, 11B, 12B, and 14B. Not used in this mode. Tie to GND.	Power

Configuration 1d - Interfacing With SDIO Card in Slot 0 and SD Card (4-bit Mode) in Slot 1

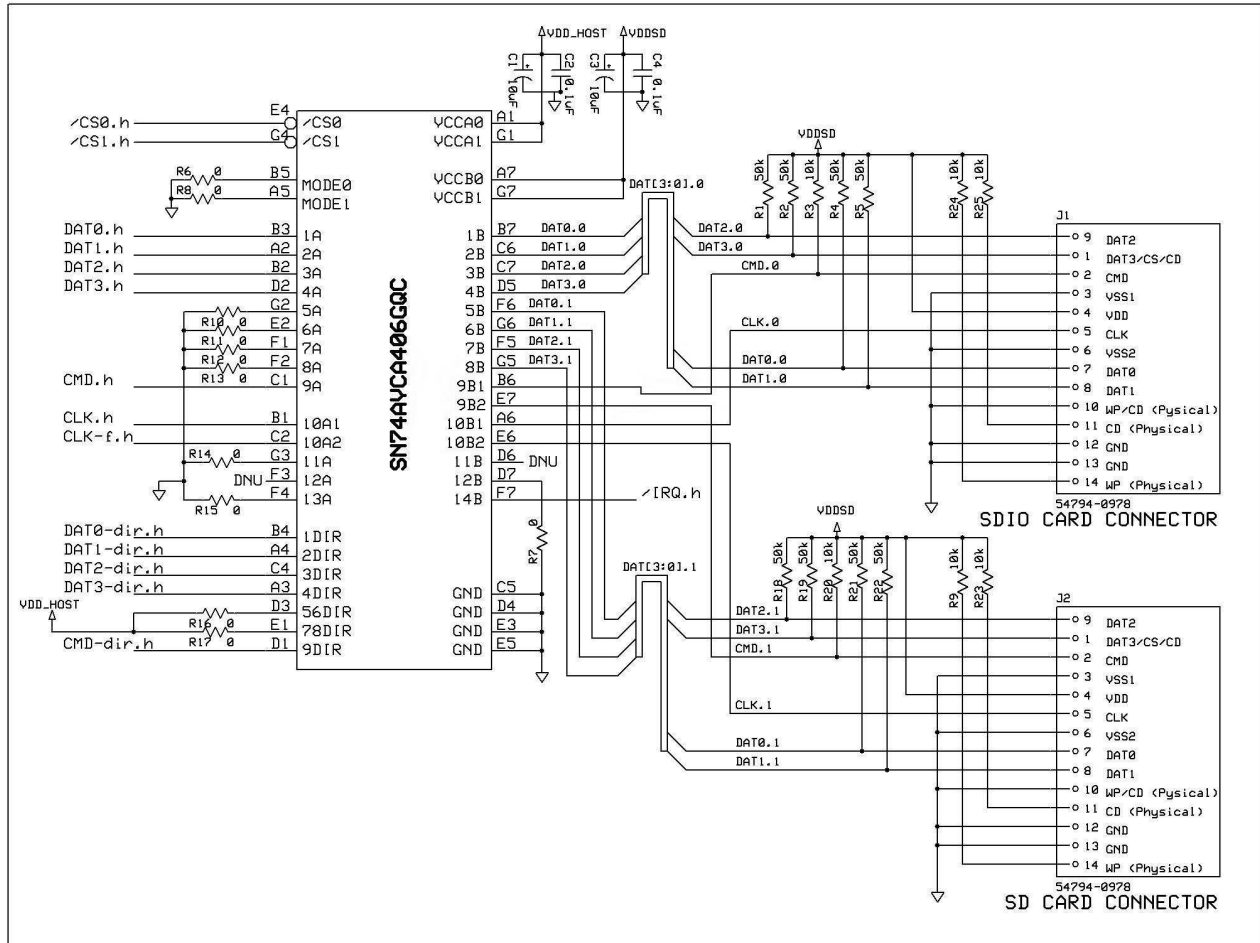


Table 5. SDIO Card (Slot 0) and SD Card (Slot 1)

PIN NO.	PIN NAME	SIGNAL NAME OR (CONNECTION)	PIN FUNCTION	PIN TYPE
A1	V _{CCA}	V _{CCA}	A-port supply voltage. V _{CCA} powers all A-port I/Os and control inputs.	Power
B1	10A1	CLK.h	Clock signal from host	Input
C1	9A	CMD.h	Command signal connected to host	I/O
D1	9DIR	CMD-dir.h	Direction control for 9A/9B connected to host	Input
E1	78DIR	(tie-high)	Direction control for 7A/7B and 8A/8B. Not used in this mode. Tie to V _{CCA} .	Input
F1	7A	(tie-low)	I/O pin not used in this mode. Tie to GND.	I/O
G1	V _{CCA}	V _{CCA}	A-port supply voltage. V _{CCA} powers all A-port I/Os and control inputs.	Power
A2	2A	DAT1.h	Data bit 2 connected to host. Referenced to V _{CCA} .	I/O
B2	3A	DAT2.h	Data bit 3 connected to host. Referenced to V _{CCA} .	I/O
C2	10A2	CLK-f.h	Clock feedback to host for resynchronizing data. Used in OMAP processors. Optional on other processors. Leave unconnected if not used.	Output
D2	4A	DAT3.h	Data bit 4 connected to host. Referenced to V _{CCA} .	I/O
E2	6A	(tie-low)	I/O pin not used in this mode. Tie to GND.	I/O
F2	8A	(tie-low)	I/O pin not used in this mode. Tie to GND.	I/O
G2	5A	(tie-low)	I/O pin not used in this mode. Tie to GND.	I/O
A3	4DIR	DAT3-dir.h	Direction control for 4A/4B	Input

Table 5. SDIO Card (Slot 0) and SD Card (Slot 1) (continued)

PIN NO.	PIN NAME	SIGNAL NAME OR (CONNECTION)	PIN FUNCTION	PIN TYPE
B3	1A	DAT0.h	Data bit 1 connected to host. Referenced to V_{CCA} .	I/O
C3			Depopulated ball	
D3	56DIR	(tie-high)	Direction control for 5A/5B and 6A/6B. Not used in this mode. Tie to V_{CCA} .	Input
E3	GND	GND	Ground	
F3	12A	DNU	Output pin not used in this mode. Do not use. Leave unconnected.	Output
G3	11A	(tie-low)	Input pin not used in this mode. Tie to GND	Input
A4	2DIR	DAT1-dir.h	Direction control for 2A/2B connected to host	Input
B4	1DIR	DAT0-dir.h	Direction control for 1A/1B connected to host	Input
C4	3DIR	DAT2-dir.h	Direction control for 3A/3B connected to host	Input
D4	GND	GND	Ground	
E4	$\overline{CS0}$	$\overline{CS0}$.h	Card select from host. Active low. When $\overline{CS0}$ = high, 1A, 2A, 3A, 4A, 1B, 2B, 3B, 4B, and 9B1 are placed in Hi Z, and 10B1 is low.	Input
F4	13A	(tie-low)	Input pin not used in this mode. Tie to GND.	Input
G4	$\overline{CS1}$	$\overline{CS1}$.h	Card select from host. Active low. When $\overline{CS1}$ = high, 5A, 6A, 7A, 8A, 5B, 6B, 7B, 8B, 7B, and 9B2 are placed in Hi Z, and 10B2 is low.	Input
A5	MODE1	(tie-low)	MODE1, MODE0 determine mode of operation (see Table 1). Tie to GND in this mode.	Input
B5	MODE0	(tie-low)		Input
C5	GND	GND	Ground	
D5	4B	DAT3.0	Data bit 4 connected to card in slot 0. Referenced to V_{CCB0} .	I/O
E5	GND	GND	Ground	
F5	7B	DAT2.1	Data bit 3 connected to card in slot 1. Referenced to V_{CCB1} .	I/O
G5	8B	DAT3.1	Data bit 4 connected to card in slot 1. Referenced to V_{CCB1} .	I/O
A6	10B1	CLK.0	Clock signal connected to card in slot 0	Output
B6	9B1	CMD.0	Command signal connected to card in slot 0	Output
C6	2B	DAT1.0	Data bit 2 connected to card in slot 0. Referenced to V_{CCB0} .	I/O
D6	11B	DNU	Output pin not used in this mode. Leave unconnected.	Output
E6	10B2	CLK.1	Clock signal connected to card in slot 1	Output
F6	5B	DAT0.1	Data bit 1 connected to card in slot 1. Referenced to V_{CCB1} .	I/O
G6	6B	DAT1.1	Data bit 2 connected to card in slot 1. Referenced to V_{CCB1} .	I/O
A7	V_{CCB0}	V_{CCB0}	B-port supply voltage. V_{CCB0} powers 1B, 2B, 3B, 4B, 9B1, and 10B1.	Power
B7	1B	DAT0.0	Data bit 1 connected to card in slot 0. Referenced to V_{CCB0} .	I/O
C7	3B	DAT2.0	Data bit 3 connected to card in slot 0. Referenced to V_{CCB0} .	I/O
D7	12B	(tie-low)	Input pin not used in this mode. Tie to GND.	Input
E7	9B2	CMD.1	Command signal connected to card in slot 1	I/O
F7	14B	\overline{IRQ} .h	Open-drain interrupt output for dual SDIO cards configuration. DAT1 is the input for interrupt.	Output
G7	V_{CCB1}	V_{CCB1}	B-port supply voltage. V_{CCB1} powers 5B, 6B, 7B, 8B, 9B2, 10B2, 11B, 12B, and 14B.	Power

**Configuration 1e - Alternate Method of Interfacing With SD/SDIO Card
 (SD Mode or SD 4-bit Mode)**

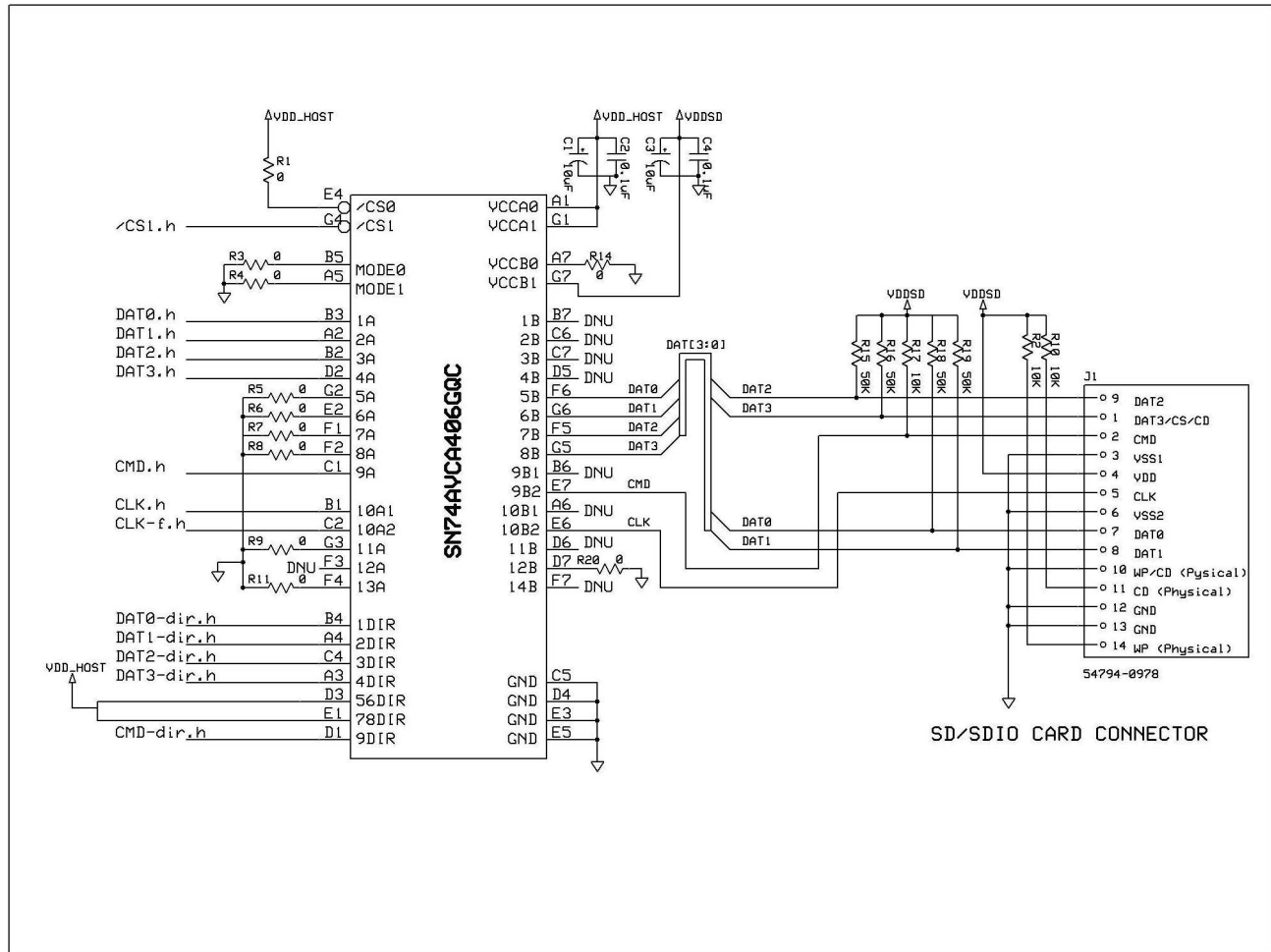


Table 6. Alternate SD/SDIO Card

PIN NO.	PIN NAME	SIGNAL NAME OR (CONNECTION)	PIN FUNCTION	PIN TYPE
A1	V _{CCA}	V _{CCA}	A-port supply voltage. V _{CCA} powers all A-port I/Os and control inputs.	Power
B1	10A1	CLK.h	Clock signal from host	Input
C1	9A	CMD.h	Command signal connected to host	I/O
D1	9DIR	CMD-dir.h	Direction control for 9A/9B connected to host	Input
E1	78DIR	(tie-high)	Direction control for 7A/7B and 8A/8B. Not used in this mode. Tie to V _{CCA} .	Input
F1	7A	(tie-low)	I/O pin not used in this mode. Tie to GND.	I/O
G1	V _{CCA}	V _{CCA}	A-port supply voltage. V _{CCA} powers all A-port I/Os and control inputs.	Power
A2	2A	DAT1.h	Data bit 2 connected to host. Referenced to V _{CCA} .	I/O
B2	3A	DAT2.h	Data bit 3 connected to host. Referenced to V _{CCA} .	I/O
C2	10A2	CLK-f.h	Clock feedback to host for resynchronizing data. Used in OMAP processors. Optional on other processors. Leave unconnected if not used.	Output
D2	4A	DAT3.h	Data bit 4 connected to host. Referenced to V _{CCA} .	I/O
E2	6A	(tie-low)	I/O pin not used in this mode. Tie to GND.	I/O
F2	8A	(tie-low)	I/O pin not used in this mode. Tie to GND.	I/O
G2	5A	(tie-low)	I/O pin not used in this mode. Tie to GND.	I/O

Table 6. Alternate SD/SDIO Card (continued)

PIN NO.	PIN NAME	SIGNAL NAME OR (CONNECTION)	PIN FUNCTION	PIN TYPE
A3	4DIR	DAT3-dir.h	Direction control for 4A/4B	Input
B3	1A	DAT0.h	Data bit 1 connected to host. Referenced to V_{CCA} .	I/O
C3			Depopulated ball	
D3	56DIR	(tie-high)	Direction control for 5A/5B and 6A/6B. Not used in this mode. Tie to V_{CCA} .	Input
E3	GND	GND	Ground	
F3	12A	DNU	Output pin not used in this mode. Do not use. Leave unconnected.	Output
G3	11A	(tie-low)	Input pin not used in this mode. Tie to GND.	Input
A4	2DIR	DAT1-dir.h	Direction control for 2A/2B connected to host	Input
B4	1DIR	DAT0-dir.h	Direction control for 1A/1B connected to host	Input
C4	3DIR	DAT2-dir.h	Direction control for 3A/3B connected to host	Input
D4	GND	GND	Ground	
E4	$\overline{CS0}$	(tie-high)	Card select signal. Not used in this mode. Tie to V_{CCA} for proper operation.	Input
F4	13A	(tie-low)	Input pin not used in this mode. Tie to GND.	Input
G4	$\overline{CS1}$	$\overline{CS1}$	Card select from host. Active low. When $\overline{CS1}$ = high, 1A, 2A, 3A, 4A, 5B, 6B, 7B, 8B, 9A, 9B2, and 10A2 are placed in Hi Z, and 10B1 is low.	Input
A5	MODE1	(tie-low)	MODE1, MODE0 determine mode of operation (see Table 1). Tie to GND in this mode.	Input
B5	MODE0	(tie-low)		Input
C5	GND	GND	Ground	
D5	4B	DNU	I/O pin not used in this mode. Leave unconnected.	I/O
E5	GND	GND	Ground	
F5	7B	DAT2	Data bit 3 connected to card. Referenced to V_{CCB1} .	I/O
G5	8B	DAT3	Data bit 4 connected to card. Referenced to V_{CCB1} .	I/O
A6	10B1	DNU	Output pin not used in this mode. Leave unconnected.	Output
B6	9B1	DNU	Output pin not used in this mode. Leave unconnected.	Output
C6	2B	DNU	I/O pin not used in this mode. Leave unconnected.	I/O
D6	11B	DNU	Output pin not used in this mode. Leave unconnected.	Output
E6	10B2	CLK	Clock signal connected to card	Output
F6	5B	DAT0	Data bit 1 connected to card. Referenced to V_{CCB1} .	I/O
G6	6B	DAT1	Data bit 2 connected to card. Referenced to V_{CCB1} .	I/O
A7	V_{CCB0}	(tie-low)	B-port supply voltage. V_{CCB0} powers 1B, 2B, 3B, 4B, 9B1, and 10B1. Not used in this mode. Tie to GND.	Power
B7	1B	DNU	I/O pin not used in this mode. Leave unconnected.	I/O
C7	3B	DNU	I/O pin not used in this mode. Leave unconnected.	I/O
D7	12B	(tie-low)	Input pin not used in this mode. Tie to GND.	Input
E7	9B2	CMD	Command signal connected to card	I/O
F7	14B	DNU	Open-drain output not used in this mode. Leave unconnected.	Output
G7	V_{CCB1}	V_{CCB1}	B-port supply voltage. V_{CCB1} powers 5B, 6B, 7B, 8B, 9B2, 10B2, 11B, 12B, and 14B.	Power

Configuration 1f - Interfacing With Memory Stick

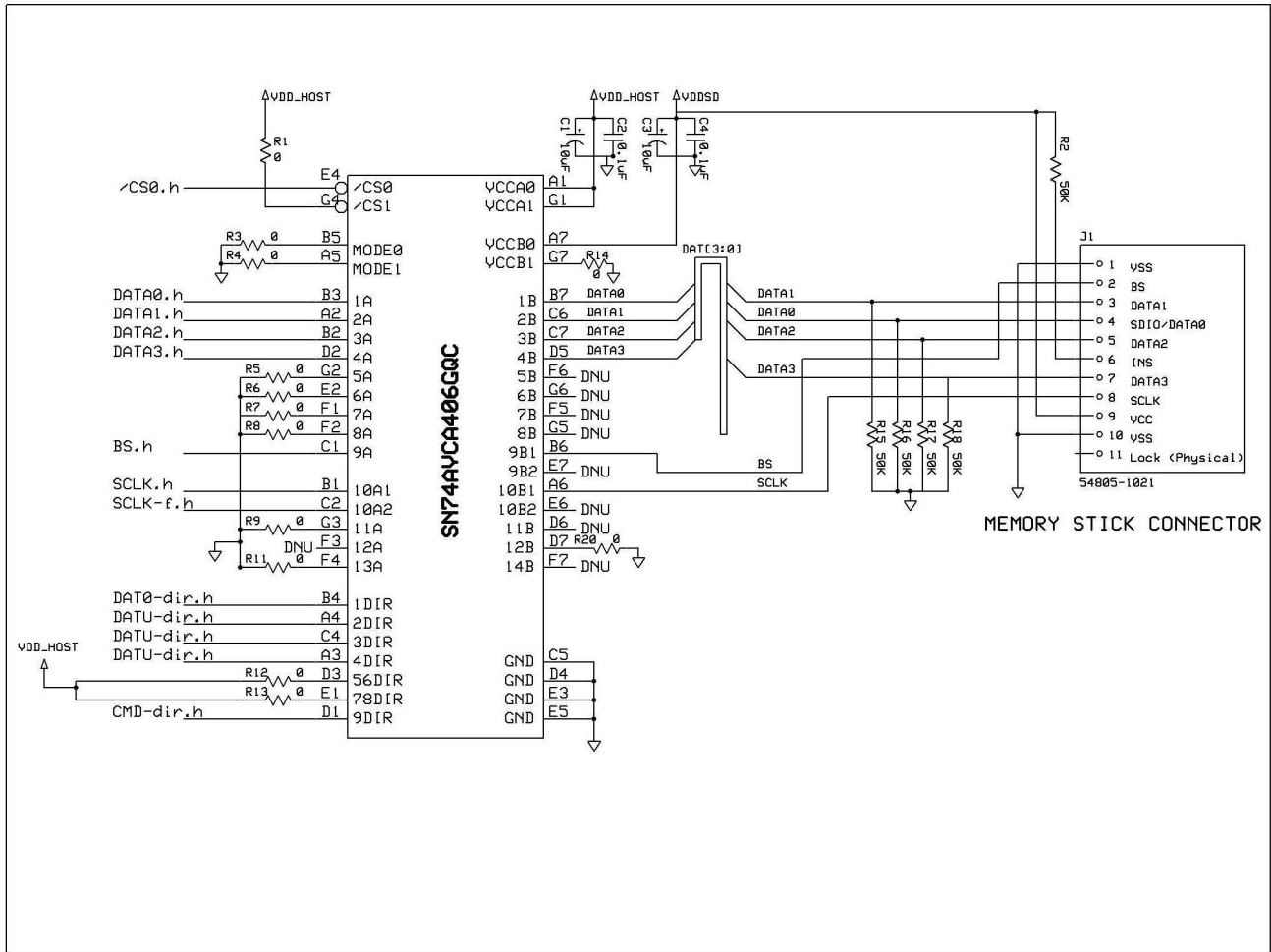


Table 7. Memory Stick

PIN NO.	PIN NAME	SIGNAL NAME OR (CONNECTION)	PIN FUNCTION	PIN TYPE
A1	V _{CCA}	V _{CCA}	A-port supply voltage. V _{CCA} powers all A-port I/Os and control inputs.	Power
B1	10A1	SCLK.h	Clock signal from host	Input
C1	9A	BS.h	Bus state connected to host	I/O
D1	9DIR	(tie-high)	Direction control for 9A/9B connected to host. Tie high to make 9A an input, 9B an output.	Input
E1	78DIR	(tie-high)	Direction control for 7A/7B and 8A/8B. Not used in this mode. Tie to V _{CCA} .	Input
F1	7A	(tie-low)	I/O pin not used in this mode. Tie to GND.	I/O
G1	V _{CCA}	V _{CCA}	A-port supply voltage. V _{CCA} powers all A-port I/Os and control inputs.	Power
A2	2A	DATA1.h	Data bit 2 connected to host. Referenced to V _{CCA} .	I/O
B2	3A	DATA2.h	Data bit 3 connected to host. Referenced to V _{CCA} .	I/O
C2	10A2	SCLK-f.h	Clock feedback to host for resynchronizing data. Used in OMAP processors. Optional on other processors. Leave unconnected if not used.	Output
D2	4A	DATA3.h	Data bit 4 connected to host. Referenced to V _{CCA} .	I/O
E2	6A	(tie-low)	I/O pin not used in this mode. Tie to GND.	I/O
F2	8A	(tie-low)	I/O pin not used in this mode. Tie to GND.	I/O
G2	5A	(tie-low)	I/O pin not used in this mode. Tie to GND.	I/O

Table 7. Memory Stick (continued)

PIN NO.	PIN NAME	SIGNAL NAME OR (CONNECTION)	PIN FUNCTION	PIN TYPE
A3	4DIR	DATU-dir.h	Direction control for 4A/4B	Input
B3	1A	DATA0.h	Data bit 1 connected to host. Referenced to V_{CCA} .	I/O
C3			Depopulated ball	
D3	56DIR	(tie-high)	Direction control for 5A/5B and 6A/6B. Not used in this mode. Tie to V_{CCA} .	Input
E3	GND	GND	Ground	
F3	12A	DNU	Output pin not used in this mode. Do not use. Leave unconnected.	Output
G3	11A	(tie-low)	Input pin not used in this mode. Tie to GND.	Input
A4	2DIR	DATU-dir.h	Direction control for 2A/2B connected to host	Input
B4	1DIR	DAT0-dir.h	Direction control for 1A/1B connected to host	Input
C4	3DIR	DATU-dir.h	Direction control for 3A/3B connected to host	Input
D4	GND	GND	Ground	
E4	$\overline{CS0}$	$\overline{CS0}$.h	Card select from host. Active low. When $\overline{CS0}$ = high, 1A, 2A, 3A, 4A, 1B, 2B, 3B, 4B, 9A, 9B1, and 10A2 are placed in Hi Z, and 10B1 is low.	Input
F4	13A	(tie-low)	Input pin not used in this mode. Tie to GND.	Input
G4	$\overline{CS1}$	(tie-high)	Card select signal. Not used in this mode. Tie to V_{CCA} for proper operation.	Input
A5	MODE1	(tie-low)	MODE1, MODE0 determine mode of operation (see Table 1). Tie to GND in this mode.	Input
B5	MODE0	(tie-low)		Input
C5	GND	GND	Ground	
D5	4B	DATA3	Data bit 4 connected to card. Referenced to V_{CCB0} .	I/O
E5	GND	GND	Ground	
F5	7B	DNU	I/O pin not used in this mode. Leave unconnected.	I/O
G5	8B	DNU	I/O pin not used in this mode. Leave unconnected.	I/O
A6	10B1	SCLK	Clock signal connected to card	Output
B6	9B1	BS	Bus state signal connected to card	Output
C6	2B	DATA1	Data bit 2 connected to card. Referenced to V_{CCB0} .	I/O
D6	11B	DNU	Output pin not used in this mode. Leave unconnected.	Output
E6	10B2	DNU	Output pin not used in this mode. Leave unconnected.	Output
F6	5B	DNU	I/O pin not used in this mode. Leave unconnected.	I/O
G6	6B	DNU	I/O pin not used in this mode. Leave unconnected.	I/O
A7	V_{CCB0}	V_{CCB0}	B-port supply voltage. V_{CCB0} powers 1B, 2B, 3B, 4B, 9B1, and 10B1.	Power
B7	1B	DATA0	Data bit 1 connected to card. Referenced to V_{CCB0} .	I/O
C7	3B	DATA2	Data bit 3 connected to card. Referenced to V_{CCB0} .	I/O
D7	12B	(tie-low)	Input pin not used in this mode. Tie to GND.	Input
E7	9B2	DNU	I/O pin not used in this mode. Leave unconnected.	I/O
F7	14B	DNU	Open-drain output not used in this mode. Leave unconnected.	Output
G7	V_{CCB1}	(tie-low)	B-port supply voltage. V_{CCB1} powers 5B, 6B, 7B, 8B, 9B2, 10B2, 11B, 12B, and 14B. Not used in this mode. Tie to GND.	Power

CONFIGURATION 1 FUNCTION TABLE
(MODE0 = L, MODE1 = L)

SIGNAL	INPUTS				OPERATION	
	CS0	CS1	9DIR	(1-4)DIR	MMC/SD	Memory Stick/Memory Stick PRO
Clock	H	H	X	X	CLK.0 and CLK.1 forced low, CLK-f.h forced Hi Z	SCLK.0 and SCLK.1 forced low, SCLK-f.h forced Hi Z
	L	L	X	X	CLK.h to CLK.0 and CLK.1, CLK.0 to CLK-f.h	SCLK.h to SCLK.0 and SCLK.1, SCLK.0 to SCLK-f.h
	L	H	X	X	CLK.h to CLK.0, CLK.0 to CLK-f.h, CLK.1 forced low	SCLK.h to SCLK.0, SCLK.0 to SCLK-f.h, SCLK.1 forced low
	H	L	X	X	CLK.h to CLK.1, CLK.1 to CLK-f.h, CLK.0 forced low	SCLK.h to SCLK.1, SCLK.1 to SCLK-f.h, SCLK.0 forced low
Data	H	H	X	X	All data I/Os are Hi Z (isolation mode).	All data I/Os are Hi Z (isolation mode).
	L ⁽¹⁾	L ⁽¹⁾	X	L	DAT0.0 and DAT0.1 to DAT0.h, DAT1.0 and DAT1.1 to DAT1.h, DAT2.0 and DAT2.1 to DAT2.h, DAT3.0 and DAT3.1 to DAT3.h	DATA0.0 and DATA0.1 to DATA0.h, DATA1.0 and DATA1.1 to DATA1.h, DATA2.0 and DATA2.1 to DATA2.h, DATA3.0 and DATA3.1 to DATA3.h
	L ⁽¹⁾	L ⁽¹⁾	X	H	DAT0.h to DAT0.0 and to DAT0.1, DAT1.h to DAT1.0 and to DAT1.1, DAT2.h to DAT2.0 and to DAT2.1, DAT3.h to DAT3.0 and to DAT3.1	DATA0.h to DATA0.0 and to DATA0.1, DATA1.h to DATA1.0 and to DATA1.1, DATA2.h to DATA2.0 and to DATA2.1, DATA3.h to DATA3.0 and to DATA3.1
	L	H	X	L	DAT0.0 to DAT0.h, DAT1.0 to DAT1.h, DAT2.0 to DAT2.h, DAT3.0 to DAT3.h	DATA0.0 to DATA0.h, DATA1.0 to DATA1.h, DATA2.0 to DATA2.h, DATA3.0 to DATA3.h
	L	H	X	H	DAT0.h to DAT0.0, DAT1.h to DAT1.0, DAT2.h to DAT2.0, DAT3.h to DAT3.0	DATA0.h to DATA0.0, DATA1.h to DATA1.0, DATA2.h to DATA2.0, DATA3.h to DATA3.0
	H	L	X	L	DAT0.1 to DAT0.h, DAT1.1 to DAT1.h, DAT2.1 to DAT2.h, DAT3.1 to DAT3.h	DATA0.1 to DATA0.h, DATA1.1 to DATA1.h, DATA2.1 to DATA2.h, DATA3.1 to DATA3.h
	H	L	X	H	DAT0.h to DAT0.1, DAT1.h to DAT1.1, DAT2.h to DAT2.1, DAT3.h to DAT3.1	DATA0.h to DATA0.1, DATA1.h to DATA1.1, DATA2.h to DATA2.1, DATA3.h to DATA3.1
Command	H	H	X	X	CMD.h, CMD.0, and CMD.1 are Hi Z (isolation mode).	BS.h, BS.0, and BS.1 are Hi Z (isolation mode).
	L	L	H	X	CMD.h to CMD.0 and CMD.1	BS.h to BS.0 and BS.1
	L	L	L	X	CMD.0 and CMD.1 to CMD.h	BS.0 and BS.1 to BS.h
	L	H	H	X	CMD.h to CMD.0	BS.h to BS.0
	L	H	L	X	CMD.0 to CMD.h	BS.0 to BS.h
	H	L	H	X	CMD.h to CMD.1	BS.h to BS.1
	H	L	L	X	CMD.1 to CMD.h	BS.1 to BS.h
Interrupt request	H	H	X	X	DAT1.0 and DAT1.1 to $\overline{\text{IRQ}}$. $\overline{\text{IRQ}}$ is an open-drain output.	DATA1.0 and DATA1.1 to $\overline{\text{IRQ}}$. $\overline{\text{IRQ}}$ is an open-drain output.
	L	H	X	X	DAT1.1 to $\overline{\text{IRQ}}$. $\overline{\text{IRQ}}$ is an open-drain output.	DATA1.1 to $\overline{\text{IRQ}}$. $\overline{\text{IRQ}}$ is an open-drain output.
	H	L	X	X	DAT1.0 to $\overline{\text{IRQ}}$. $\overline{\text{IRQ}}$ is an open-drain output.	DATA1.0 to $\overline{\text{IRQ}}$. $\overline{\text{IRQ}}$ is an open-drain output.
	L	L	X	X	$\overline{\text{IRQ}}$ is Hi Z.	$\overline{\text{IRQ}}$ is Hi Z.

(1) Broadcast mode in which the host writes to or reads from both cards in parallel

Configuration 2 - Interfacing With SD/SDIO Card and Using GPIOs for Level Shifting

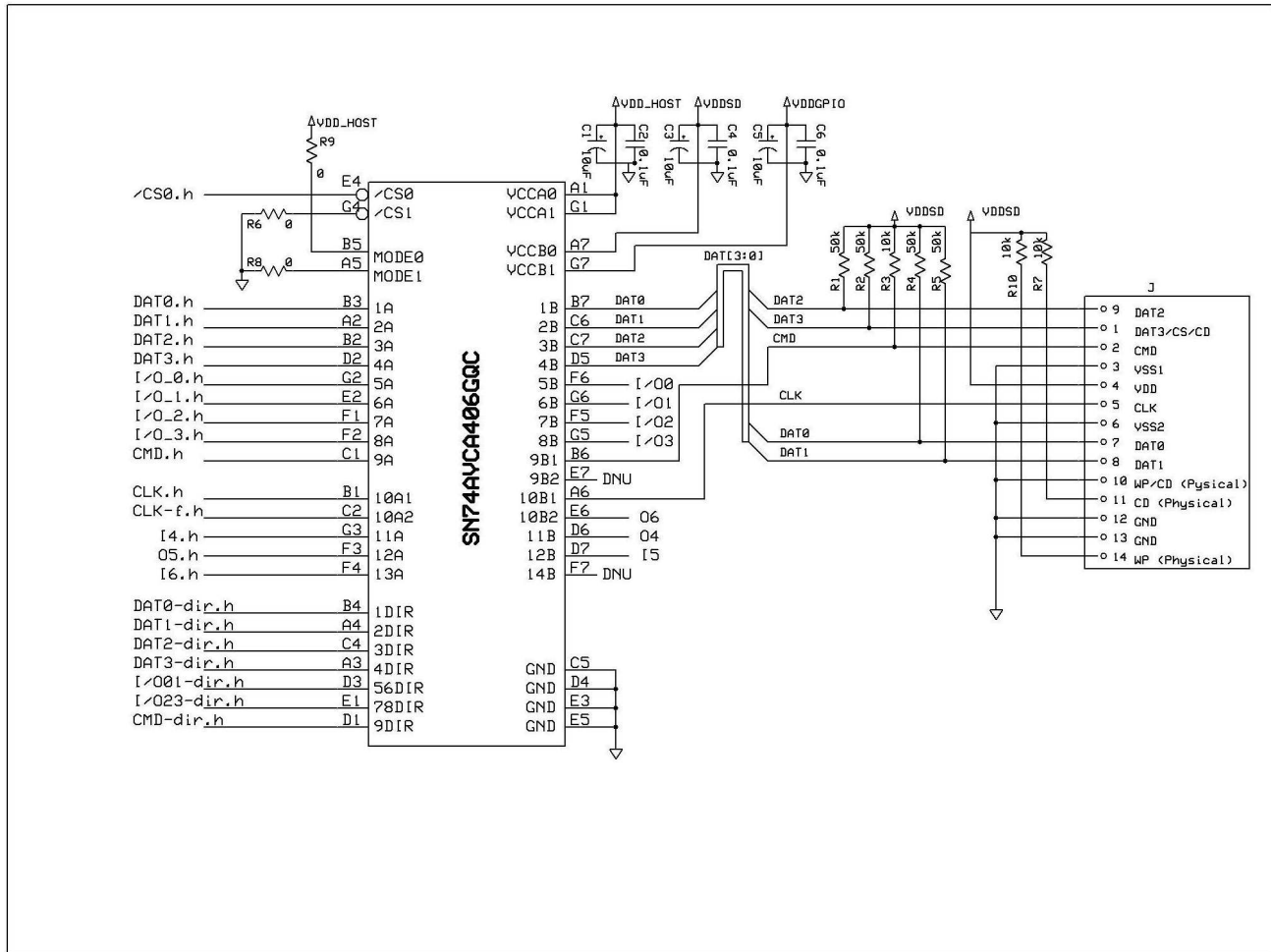


Table 8. SD/SDIO Card Using GPIOs for Level Shifting

PIN NO.	PIN NAME	SIGNAL NAME OR (CONNECTION)	PIN FUNCTION	PIN TYPE
A1	V _{CCA}	V _{CCA}	A-port supply voltage. V _{CCA} powers all A-port I/Os and control inputs.	Power
B1	10A1	CLK.h	Clock signal from host	Input
C1	9A	CMD.h	Command signal connected to host	I/O
D1	9DIR	CMD-dir.h	Direction control for 9A/9B connected to host	Input
E1	78DIR	I/O23-dir.h	Direction control for 7A/7B and 8A/8B. Connected to host. Tie to V _{CCA} if unused.	Input
F1	7A	I/O2.h	General-purpose I/O. Referenced to V _{CCA} . Tie to V _{CCA} or GND if unused.	I/O
G1	V _{CCA}	V _{CCA}	A-port supply voltage. V _{CCA} powers all A-port I/Os and control inputs.	Power
A2	2A	DAT1.h	Data bit 2 connected to host. Referenced to V _{CCA} .	I/O
B2	3A	DAT2.h	Data bit 3 connected to host. Referenced to V _{CCA} .	I/O
C2	10A2	CLK-f.h	Clock feedback to host for resynchronizing data. Used in OMAP processors. Optional on other processors. Leave unconnected if not used.	Output
D2	4A	DAT3.h	Data bit 4 connected to host. Referenced to V _{CCA} .	I/O
E2	6A	I/O1.h	General-purpose I/O. Referenced to V _{CCA} . Tie to V _{CCA} or GND if unused.	I/O
F2	8A	I/O3.h	General-purpose I/O. Referenced to V _{CCA} . Tie to V _{CCA} or GND if unused.	I/O
G2	5A	I/O0.h	General-purpose I/O. Referenced to V _{CCA} . Tie to V _{CCA} or GND if unused.	I/O

Table 8. SD/SDIO Card Using GPIOs for Level Shifting (continued)

PIN NO.	PIN NAME	SIGNAL NAME OR (CONNECTION)	PIN FUNCTION	PIN TYPE
A3	4DIR	DAT3-dir.h	Direction control for 4A/4B	Input
B3	1A	DAT0.h	Data bit 1 connected to host. Referenced to V_{CCA} .	I/O
C3			Depopulated ball	
D3	56DIR	I/O01-dir.h	Direction control for 5A/5B and 6A/6B. Referenced to V_{CCA} . Tie to V_{CCA} if unused.	Input
E3	GND	GND	Ground	
F3	12A	O5.h	General-purpose output connected to host. Referenced to V_{CCA} .	Output
G3	11A	I4.h	General-purpose input connected to host. Referenced to V_{CCA} .	Input
A4	2DIR	DAT1-dir.h	Direction control for 2A/2B connected to host	Input
B4	1DIR	DAT0-dir.h	Direction control for 1A/1B connected to host	Input
C4	3DIR	DAT2-dir.h	Direction control for 3A/3B connected to host	Input
D4	GND	GND	Ground	
E4	$\overline{CS0}$	$\overline{CS0}$.h	Card select from host. Active low. When $\overline{CS0}$ = high, 1A, 2A, 3A, 4A, 1B, 2B, 3B, 4B, 9A, 9B, and 10A2 are placed in Hi Z, and 10B1 is low.	Input
F4	13A	I6.h	General-purpose input connected to host. Referenced to V_{CCA} .	Input
G4	$\overline{CS1}$	(tie-low)	Card select. Tie to GND for proper operation.	Input
A5	MODE1	(tie-low)	MODE1, MODE0 determine mode of operation (see Table 1).	Input
B5	MODE0	(tie-high)	Tie MODE0 to V_{CCA} . Tie MODE1 to GND.	Input
C5	GND	GND	Ground	
D5	4B	DAT3	Data bit 4 connected to card. Referenced to V_{CCB0} .	I/O
E5	GND	GND	Ground	
F5	7B	I/O2	General-purpose I/O. Referenced to V_{CCB1} .	I/O
G5	8B	I/O3	General-purpose I/O. Referenced to V_{CCB1} .	I/O
A6	10B1	CLK	Clock signal connected to card	Output
B6	9B1	CMD	Command signal connected to card	Output
C6	2B	DAT1	Data bit 2 connected to card. Referenced to V_{CCB0} .	I/O
D6	11B	O4	General-purpose output. Referenced to V_{CCB1} .	Output
E6	10B2	O6	General-purpose output. Referenced to V_{CCB1} .	Output
F6	5B	I/O0	General-purpose I/O. Referenced to V_{CCB1} .	I/O
G6	6B	I/O1	General-purpose I/O. Referenced to V_{CCB1} .	I/O
A7	V_{CCB0}	V_{CCB0}	B-port supply voltage. V_{CCB0} powers 1B, 2B, 3B, 4B, 9B1, and 10B1.	Power
B7	1B	DAT0	Data bit 1 connected to card. Referenced to V_{CCB0} .	I/O
C7	3B	DAT2	Data bit 3 connected to card. Referenced to V_{CCB0} .	I/O
D7	12B	I5	General-purpose input. Referenced to V_{CCB1} .	Input
E7	9B2	DNU	I/O pin not used in this mode. Leave unconnected.	I/O
F7	14B	DNU	Open-drain output not used in this mode. Leave unconnected.	Output
G7	V_{CCB1}	V_{CCB1}	B-port supply voltage. V_{CCB1} powers 5B, 6B, 7B, 8B, 9B2, 10B2, 11B, 12B, and 14B.	Power

CONFIGURATION 2 FUNCTION TABLE
(MODE0 = H, MODE1 = L)

SIGNAL	INPUTS						OPERATION	
	$\overline{CS0}$	$\overline{CS1}$	9DIR	(1-4)DIR	56DIR	78DIR	MMC/SD	Memory Stick/ Memory Stick PRO
Clock	H	H	X	X	X	X	CLK forced low, CLK-f.h forced Hi Z	SCLK forced low, SCLK-f.h forced Hi Z
	L	L	X	X	X	X	CLK.h to CLK, CLK to CLK-f.h	SCLK.h to SCLK, SCLK to SCLK-f.h
Data	H	H	X	X	X	X	All data I/Os are Hi Z (isolation mode).	All data I/Os are Hi Z (isolation mode).
	L	L	X	L	X	X	DAT0 to DAT0.h, DAT1 to DAT1.h, DAT2 to DAT2.h, DAT3 to DAT3.h	DATA0 to DATA0.h, DATA1 to DATA1.h, DATA2 to DATA2.h, DATA3 to DATA3.h
	L	L	X	H	X	X	DAT0.h to DAT0, DAT1.h to DAT1, DAT2.h to DAT2, DAT3.h to DAT3	DATA0.h to DATA0, DATA1.h to DATA1, DATA2.h to DATA2, DATA3.h to DATA3
Command	H	H	X	X	X	X	CMD.h and CMD are Hi Z (isolation mode).	BS.h and BS are Hi Z (isolation mode).
	L	L	L	X	X	X	CMD to CMD.h	BS to BS.h
	L	L	H	X	X	X	CMD.h to CMD	BS.h to BS
GPIO	H	H	X	X	X	X	All GPIOs are Hi Z.	All GPIOs are Hi Z.
	L	L	X	X	X	X	I4 to O4, I5 to O5, I6 to O6	I4 to O4, I5 to O5, I6 to O6
	L	L	X	X	L	X	I/O0 to I/O0.h, I/O1 to I/O1.h	I/O0 to I/O0.h, I/O1 to I/O1.h
	L	L	X	X	H	X	I/O0.h to I/O0, I/O1.h to I/O1	I/O0.h to I/O0, I/O1.h to I/O1
	L	L	X	X	X	L	I/O2 to I/O2.h, I/O3 to I/O3.h	I/O2 to I/O2.h, I/O3 to I/O3.h
	L	L	X	X	X	H	I/O2.h to I/O2, I/O3.h to I/O3	I/O2.h to I/O2, I/O3.h to I/O3

SN74AVCA406
MMC, SD CARD, Memory Stick, SmartMedia, AND xD-Picture Card
±15-kV ESD-PROTECTED VOLTAGE-TRANSLATION TRANSCEIVER

SCES615H—OCTOBER 2004—REVISED JANUARY 2007

Configuration 3 - Interfacing With 8-Bit MMC

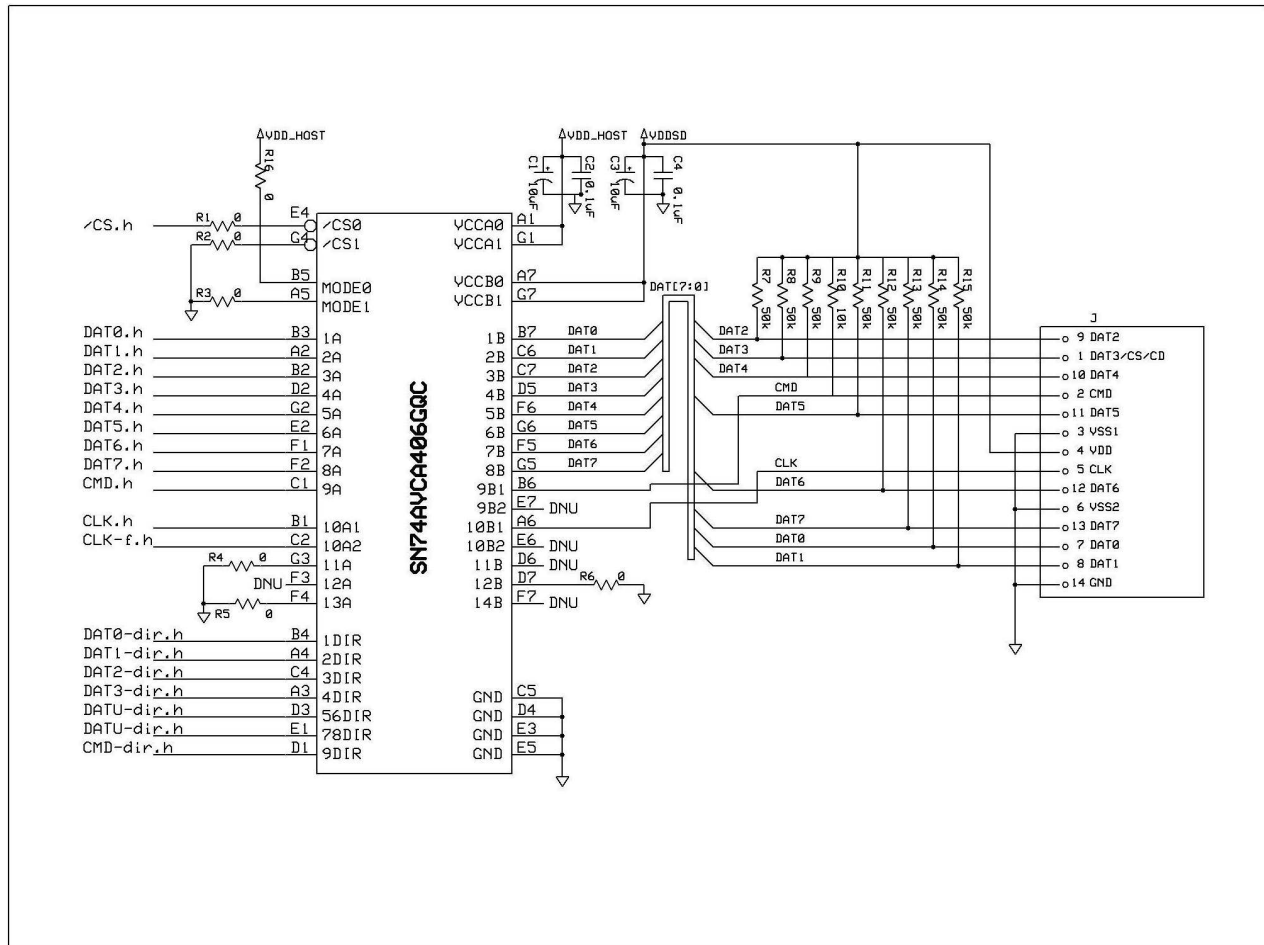


Table 9. 8-Bit MMC

PIN NO.	PIN NAME	SIGNAL NAME OR (CONNECTION)	PIN FUNCTION	PIN TYPE
A1	V _{CCA}	V _{CCA}	A-port supply voltage. V _{CCA} powers all A-port I/Os and control inputs.	Power
B1	10A1	CLK.h	Clock signal from host	Input
C1	9A	CMD.h	Command signal connected to host	I/O
D1	9DIR	CMD-dir.h	Direction control for 9A/9B connected to host	Input
E1	78DIR	DATU-dir.h	Direction control for 7A/7B and 8A/8B. Connected to host.	Input
F1	7A	DAT6.h	General-purpose I/O. Referenced to V _{CCA} .	I/O
G1	V _{CCA}	V _{CCA}	A-port supply voltage. V _{CCA} powers all A-port I/Os and control inputs.	Power
A2	2A	DAT1.h	Data bit 2 connected to host. Referenced to V _{CCA} .	I/O
B2	3A	DAT2.h	Data bit 3 connected to host. Referenced to V _{CCA} .	I/O
C2	10A2	CLK-f.h	Clock feedback to host for resynchronizing data. Used in OMAP processors. Optional on other processors. Leave unconnected if not used.	Output
D2	4A	DAT3.h	Data bit 4 connected to host. Referenced to V _{CCA} .	I/O
E2	6A	DAT5.h	General-purpose I/O. Referenced to V _{CCA} .	I/O
F2	8A	DAT7.h	General-purpose I/O. Referenced to V _{CCA} .	I/O
G2	5A	DAT4.h	General-purpose I/O. Referenced to V _{CCA} .	I/O
A3	4DIR	DAT3-dir.h	Direction control for 4A/4B	Input
B3	1A	DAT0.h	Data bit 1 connected to host. Referenced to V _{CCA} .	I/O
C3	Depopulated ball			
D3	56DIR	DATU-dir.h	Direction control for 5A/5B and 6A/6B. Referenced to V _{CCA} .	Input
E3	GND	GND	Ground	
F3	12A	DNU	Output pin not used in this mode. Do not use. Leave unconnected.	Output
G3	11A	(tie-low)	Input pin not used in this mode. Tie to GND.	Input
A4	2DIR	DAT1-dir.h	Direction control for 2A/2B connected to host	Input
B4	1DIR	DAT0-dir.h	Direction control for 1A/1B connected to host	Input
C4	3DIR	DAT2-dir.h	Direction control for 3A/3B connected to host	Input
D4	GND	GND	Ground	
E4	$\overline{CS0}$	$\overline{CS0}$.h	Card select from host. Active low. When $\overline{CS0}$ = high, 1A, 2A, 3A, 4A, 1B, 2B, 3B, 4B, and 9B1 are placed in Hi Z, and 10B1 is low.	Input
F4	13A	(tie-low)	Input pin not used in this mode. Tie to GND.	Input
G4	\overline{CST}	(tie-low)	Card select signal. For proper operation, tie to GND.	Input
A5	MODE1	(tie-low)	MODE1, MODE0 determine mode of operation (see Table 1).	Input
B5	MODE0	(tie-high)	Tie MODE0 to V _{CCA} . Tie MODE1 to GND.	Input
C5	GND	GND	Ground	
D5	4B	DAT3	Data bit 4 connected to card. Referenced to V _{CCB} .	I/O
E5	GND	GND	Ground	
F5	7B	DAT6	Data bit 6 connected to card. Referenced to V _{CCB} .	I/O
G5	8B	DAT7	Data bit 7 connected to card. Referenced to V _{CCB} .	I/O
A6	10B1	CLK	Clock signal connected to card	Output
B6	9B1	CMD	Command signal connected to card	Output
C6	2B	DAT1	Data bit 2 connected to card. Referenced to V _{CCB0} .	I/O
D6	11B	DNU	Output pin not used in this mode. Leave unconnected.	Output
E6	10B2	DNU	Output pin not used in this mode. Leave unconnected.	Output
F6	5B	DAT4	Data bit 4 connected to card. Referenced to V _{CCB} .	I/O
G6	6B	DAT5	Data bit 5 connected to card. Referenced to V _{CCB} .	I/O
A7	V _{CCB0}	V _{CCB0}	B-port supply voltage. V _{CCB0} powers 1B, 2B, 3B, 4B, 9B1, and 10B1.	Power
B7	1B	DAT0	Data bit 1 connected to card. Referenced to V _{CCB0} .	I/O

Table 9. 8-Bit MMC (continued)

PIN NO.	PIN NAME	SIGNAL NAME OR (CONNECTION)	PIN FUNCTION	PIN TYPE
C7	3B	DAT2	Data bit 3 connected to card. Referenced to V_{CCB0} .	I/O
D7	12B	(tie-low)	Input pin not used in this mode. Tie to GND.	Input
E7	9B2	DNU	I/O pin not used in this mode. Leave unconnected.	I/O
F7	14B	DNU	Open-drain output not used in this mode. Leave unconnected.	Output
G7	V_{CCB1}	V_{CCB1}	B-port supply voltage. V_{CCB1} powers 5B, 6B, 7B, 8B, 9B2, 10B2, 11B, 12B and 14B. Not used in this mode. Tie to GND.	Power

CONFIGURATION 3 FUNCTION TABLE
(MODE0 = H, MODE1 = L, 8-BIT MMC)

SIGNAL	INPUTS						OPERATION
	$\overline{CS0}$	$\overline{CS1}$	9DIR	(1-4)DIR	56DIR	78DIR	
Clock	L	X	X	X	X	X	CLK.h to CLK, CLK to CLK-f.h
Data	H	X	X	X	X	X	DAT0.h, DAT1.h, DAT2.h, DAT3.h, DAT0, DAT1, DAT2, and DAT3 are Hi Z.
	X	H	X	X	X	X	DAT4.h, DAT5.h, DAT6.h, DAT7.h, DAT4, DAT5, DAT6, and DAT7 are Hi Z.
	L	L	X	L	L	L	DAT0 to DAT0.h, DAT1 to DAT1.h, DAT2 to DAT2.h, DAT3 to DAT3.h, DAT4 to DAT4.h, DAT5 to DAT5.h, DAT6 to DAT6.h, DAT7 to DAT7.h
	L	L	X	H	H	H	DAT0.h to DAT0, DAT1.h to DAT1, DAT2.h to DAT2, DAT3.h to DAT3, DAT4.h to DAT4, DAT5.h to DAT5, DAT6.h to DAT6, DAT7.h to DAT7
Command	H	X	X	X	X	X	CMD.h and CMD are Hi Z (isolation mode).
	L	X	L	X	X	X	CMD to CMD.h
	L	X	H	X	X	X	CMD.h to CMD

Configuration 4 - Interfacing With SmartMedia or xD-Picture Card

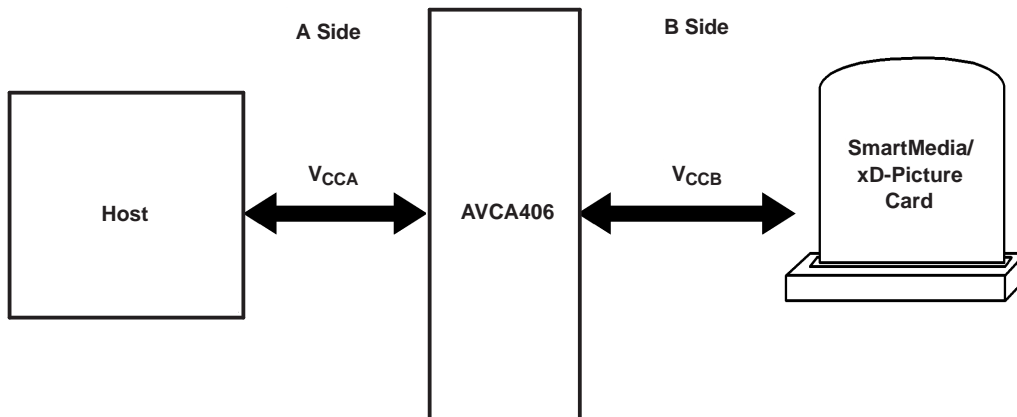


Table 10. SmartMedia or xD-Picture Card

PIN NO.	PIN NAME	SIGNAL NAME OR (CONNECTION)	PIN FUNCTION	PIN TYPE
A1	V _{CCA}	V _{CCA}	A-port supply voltage. V _{CCA} powers all A-port I/Os and control inputs.	Power
B1	10A1	$\overline{RE}.h$	Read enable connected to host	Input
C1	9A	CLE.h	Command latch enable connected to host	I/O
D1	9DIR	(tie-low)	Input pin not used in this mode. Tie to GND.	Input
E1	78DIR	I/O-dir.h	Data direction control from host	Input
F1	7A	I/O7.h	Data I/O 7 connected to host. Referenced to V _{CCA} .	I/O
G1	V _{CCA}	V _{CCA}	A-port supply voltage. V _{CCA} powers all A-port I/Os and control inputs.	Power
A2	2A	I/O2.h	Data I/O 2 connected to host. Referenced to V _{CCA} .	I/O
B2	3A	I/O3.h	Data I/O 3 connected to host. Referenced to V _{CCA} .	I/O
C2	10A2	$\overline{RE}.f.h$	Read enable feedback to host. Used with OMAP processors. Use with other processors is optional. Leave unconnected if not used.	Output
D2	4A	I/O4.h	Data I/O 4 connected to host. Referenced to V _{CCA} .	I/O
E2	6A	I/O6.h	Data I/O 6 connected to host. Referenced to V _{CCA} .	I/O
F2	8A	I/O8.h	Data I/O 8 connected to host. Referenced to V _{CCA} .	I/O
G2	5A	I/O5.h	Data I/O 5 connected to host. Referenced to V _{CCA} .	I/O
A3	4DIR	I/O-dir.h	Data direction control connected to host	Input
B3	1A	I/O1.h	Data I/O 1 connected to host. Referenced to V _{CCA} .	I/O
C3	Depopulated ball			
D3	56DIR	I/O-dir.h	Data direction control connected to host	Input
E3	GND	GND	Ground	
F3	12A	R/B.h	Read/busy connected to host. Open-drain output.	Output
G3	11A	$\overline{WP}.h$	Write protect connected to host	Input
A4	2DIR	I/O-dir.h	Data direction control connected to host	Input
B4	1DIR	I/O-dir.h	Data direction control connected to host	Input
C4	3DIR	I/O-dir.h	Data direction control connected to host	Input
D4	GND	GND	Ground	
E4	$\overline{CS0}$	$\overline{CE}.h$	Chip enable from host	Input
F4	13A	$\overline{WE}.h$	Write enable from host	Input
G4	$\overline{CS1}$	ALE.h	Address latch enable connected to host	Input
A5	MODE1	(tie-high)	MODE1, MODE0 determine mode of operation (see Table 1). Tie to V _{CCA} .	Input
B5	MODE0	(tie-high)		Input

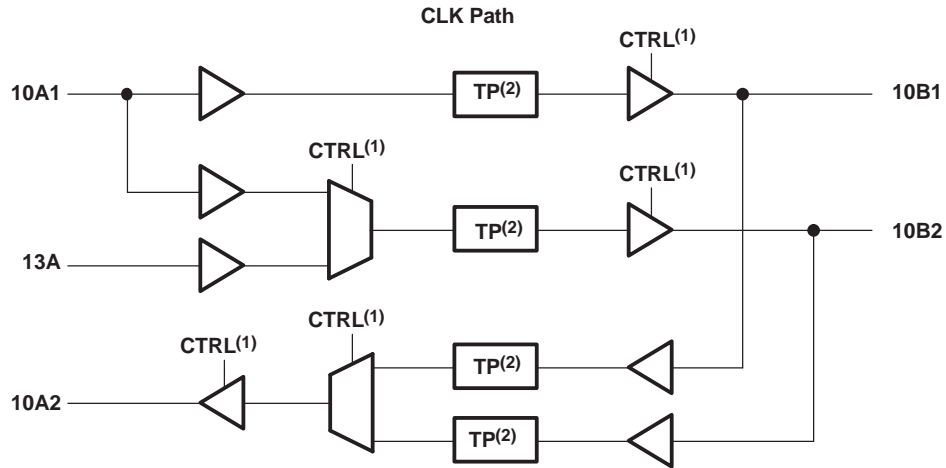
Table 10. SmartMedia or xD-Picture Card (continued)

PIN NO.	PIN NAME	SIGNAL NAME OR (CONNECTION)	PIN FUNCTION	PIN TYPE
C5	GND	GND	Ground	
D5	4B	I/O4	Data I/O 4 connected to card. Referenced to V_{CCB} .	I/O
E5	GND	GND	Ground	
F5	7B	I/O7	Data I/O 7 connected to card. Referenced to V_{CCB} .	I/O
G5	8B	I/O8	Data I/O 8 connected to card. Referenced to V_{CCB} .	I/O
A6	10B1	\overline{RE}	Read enable connected to card	Output
B6	9B1	CLE	Command latch enable connected to card	Output
C6	2B	I/O2	Data I/O 2 connected to card. Referenced to V_{CCB} .	I/O
D6	11B	\overline{WP}	Write protect connected to card	Output
E6	10B2	\overline{WE}	Write enable connected to card	Output
F6	5B	I/O5	Data I/O 5 connected to card. Referenced to V_{CCB} .	I/O
G6	6B	I/O6	Data I/O 6 connected to card. Referenced to V_{CCB} .	I/O
A7	V_{CCB0}	V_{CCB}	B-port supply voltage. V_{CCB0} powers 1B, 2B, 3B, 4B, 9B1, and 10B1.	Power
B7	1B	I/O1	Data I/O 1 connected to card. Referenced to V_{CCB} .	I/O
C7	3B	I/O3	Data I/O 3 connected to card. Referenced to V_{CCB} .	I/O
D7	12B	R/B	Read/busy connected to card	Input
E7	9B2	ALE	Address latch enable connected to host	I/O
F7	14B	\overline{CE}	Chip enable connected to card	Output
G7	V_{CCB1}	V_{CCB}	B-port supply voltage. V_{CCB1} powers 5B, 6B, 7B, 8B, 9B2, 10B2, 11B, 12B, and 14B.	Power

CONFIGURATION 4 FUNCTION TABLE
(MODE0 = H, MODE1 = H, 8-BIT SmartMedia/xD-Picture Card)

SIGNAL	INPUTS						OPERATION
	$\overline{CS0}$	$\overline{CS1}$	9DIR	(1-4)DIR	56DIR	78DIR	
Clock	X	X	X	X	X	X	$\overline{WE}.h$ to \overline{WE}
	L	X	X	X	X	X	$\overline{RE}.h$ to \overline{RE} , \overline{RE} to $\overline{RE}.f.h$
Data	H	X	X	X	X	X	All data I/Os are Hi Z (isolation mode).
	LX	X	X	L	L	L	I/O(1-8) to I/O(1-8).h
	L	X	X	H	H	H	I/O(1-8).h to I/O(1-8)
Command	X	X	X	X	X	X	CLE.h to CLE, ALE.h to ALE
Interrupt request	X	X	X	X	X	X	CE.h to CE
Others	X	X	X	X	X	X	$\overline{WP}.h$ to \overline{WP} , R/B to R/B.h (R/B.h is an open-drain output)

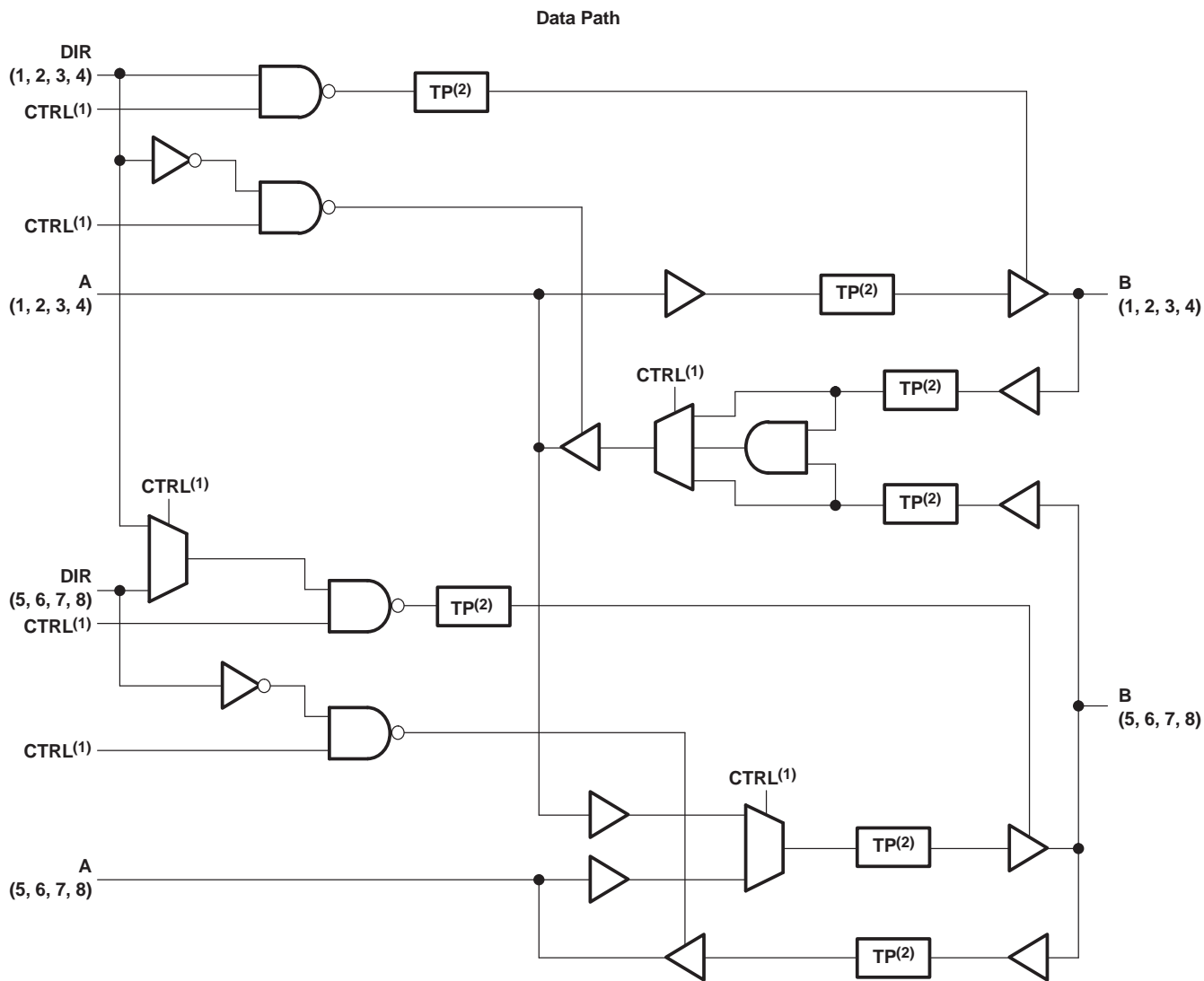
LOGIC DIAGRAMS (POSITIVE LOGIC)



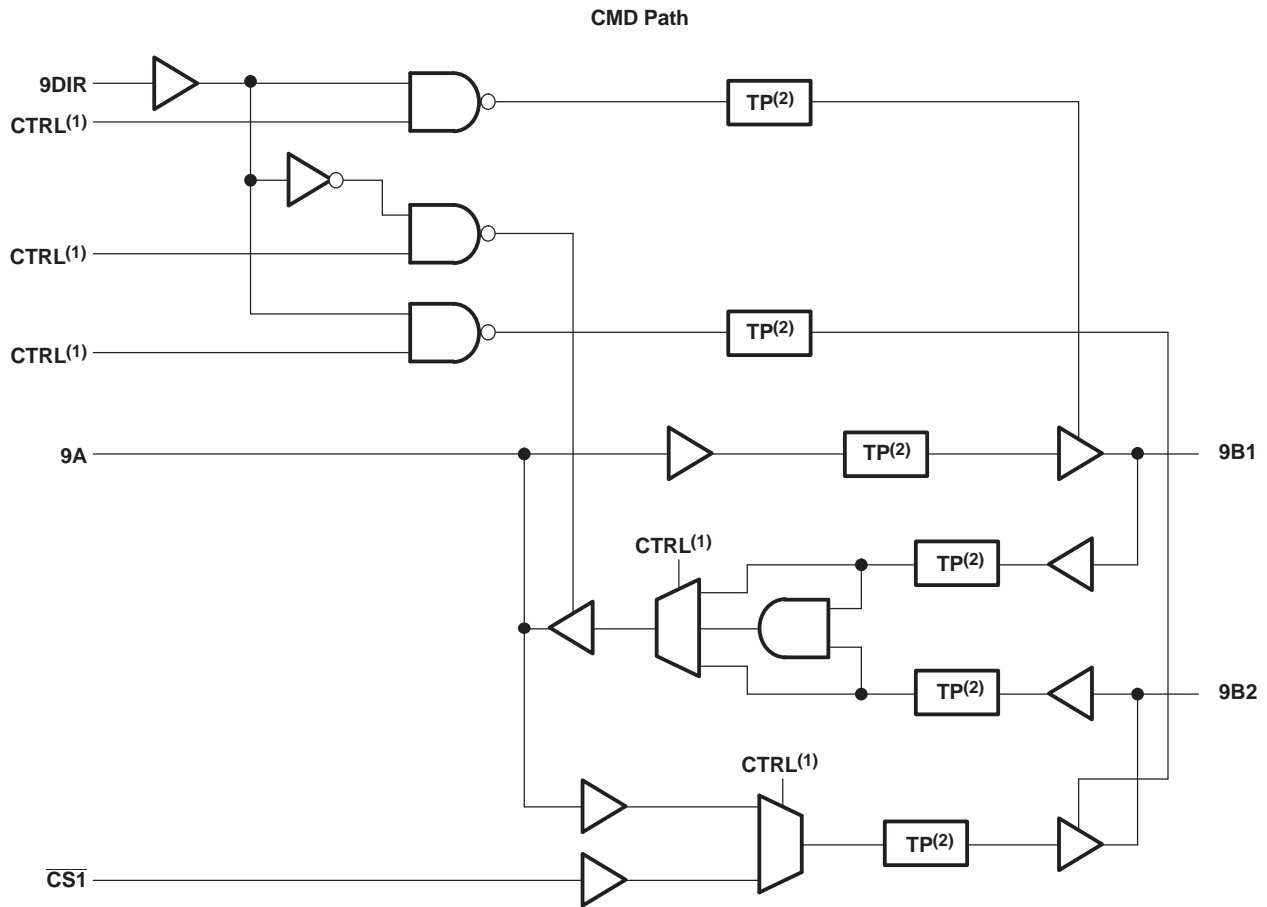
- (1) CTRL represents a decoded MODE0, MODE1, $\overline{CS0}$, and $\overline{CS1}$ state.
- (2) Translation point

SN74AVCA406
MMC, SD CARD, Memory Stick, SmartMedia, AND xD-Picture Card
±15-kV ESD-PROTECTED VOLTAGE-TRANSLATION TRANSCEIVER

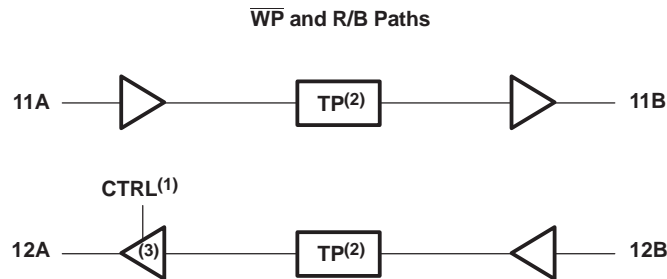
SCES615H—OCTOBER 2004—REVISED JANUARY 2007



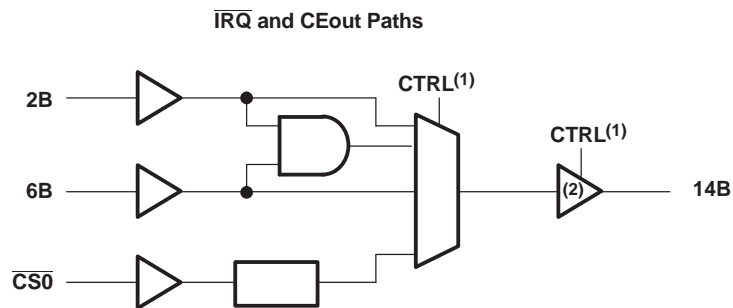
- (1) CTRL represents a decoded MODE0, MODE1, $\overline{CS0}$, and $\overline{CS1}$ state.
- (2) Translation point



- (1) CTRL represents a decoded MODE0, MODE1, $\overline{CS0}$, and $\overline{CS1}$ state.
(2) Translation point



- (1) CTRL represents a decoded MODE0, MODE1, $\overline{CS0}$, and $\overline{CS1}$ state.
(2) Translation point
(3) 12A is open drain in NAND (XD) mode and push-pull in other modes.



(1) CTRL represents a decoded MODE0, MODE1, $\overline{\text{CS0}}$, and $\overline{\text{CS1}}$ state.

(2) Push-pull in NAND flash (XD) mode and open drain in other modes

Absolute Maximum Ratings⁽¹⁾

over operating free-air temperature range (unless otherwise noted)

			MIN	MAX	UNIT
V _{CC}	Supply voltage range	V _{CCA} , V _{CCB}	-0.5	4.6	V
V _I	Input voltage range ⁽²⁾	I/O ports (A port)	-0.5	V _{CCA} + 0.5	V
		I/O ports (B port)	-0.5	V _{CCB} + 0.5	
		Control inputs	-0.5	4.6	
V _O	Voltage range applied to any output in the high-impedance or power-off state ⁽²⁾	A port	-0.5	V _{CCA} + 0.5	V
		B port	-0.5	V _{CCB} + 0.5	
V _O	Voltage range applied to any output in the high or low state ⁽²⁾⁽³⁾	A port	-0.5	V _{CCA} + 0.5	V
		B port	-0.5	V _{CCB} + 0.5	
I _{IK}	Input clamp current	V _I < 0		-50	mA
I _{OK}	Output clamp current	V _O < 0		-50	mA
I _O	Continuous output current			±50	mA
	Continuous current through V _{CCA} , V _{CCB} , or GND			±100	mA
θ _{JA}	Package thermal impedance ⁽⁴⁾	GQC/ZQC package		34	°C/W
T _{stg}	Storage temperature range		-65	150	°C

- (1) Stresses beyond those listed under "absolute maximum ratings" may cause permanent damage to the device. These are stress ratings only, and functional operation of the device at these or any other conditions beyond those indicated under "recommended operating conditions" is not implied. Exposure to absolute-maximum-rated conditions for extended periods may affect device reliability.
- (2) The input voltage and output negative-voltage ratings may be exceeded if the input and output current ratings are observed.
- (3) The output positive-voltage rating may be exceeded up to 4.6 V maximum if the output current rating is observed.
- (4) The package thermal impedance is calculated in accordance with JESD 51-7.

Recommended Operating Conditions⁽¹⁾⁽²⁾⁽³⁾⁽⁴⁾

		V_{CCI}	V_{CCO}	MIN	MAX	UNIT
V_{CCA}	Supply voltage			1.4	V_{CCB}	V
V_{CCB}	Supply voltage			1.4	3.6	V
V_{IH}	High-level input voltage	All inputs ⁽⁵⁾	1.4 V to 1.95 V		$V_{CCI} \times 0.65$	V
			1.95 V to 2.7 V		1.7	
			2.7 V to 3.6 V		2	
V_{IL}	Low-level input voltage	All inputs ⁽⁵⁾	1.4 V to 1.95 V		$V_{CCI} \times 0.35$	V
			1.95 V to 2.7 V		0.7	
			2.7 V to 3.6 V		0.8	
V_I	Input voltage			0	V_{CCI}	V
V_O	Output voltage	Active state		0	V_{CCO}	V
		3-state		0	V_{CCO}	
I_{OH}	High-level output current (A port)		1.4 V to 1.6 V		-1	mA
			1.65 V to 1.95 V		-2	
			2.3 V to 2.7 V		-4	
			3 V to 3.6 V		-8	
I_{OL}	Low-level output current (A port)		1.4 V to 1.6 V		1	mA
			1.65 V to 1.95 V		2	
			2.3 V to 2.7 V		4	
			3 V to 3.6 V		8	
I_{OH}	High-level output current (B port)		1.4 V to 1.6 V		-2	mA
			1.65 V to 1.95 V		-4	
			2.3 V to 2.7 V		-8	
			3 V to 3.6 V		-16	
I_{OL}	Low-level output current (B port)		1.4 V to 1.6 V		2	mA
			1.65 V to 1.95 V		4	
			2.3 V to 2.7 V		8	
			3 V to 3.6 V		16	
$\Delta t/\Delta t$	Input transition rise or fall rate				5	ns/V
T_A	Operating free-air temperature			-40	85	°C

(1) V_{CCI} is the V_{CC} associated with the data input port.

(2) V_{CCO} is the V_{CC} associated with the output port.

(3) V_{CCB} must be greater than or equal to V_{CCA} , except when $V_{CCB} = 0$ V.

(4) All unused data inputs of the device must be held at V_{CCI} or GND to ensure proper device operation. Refer to the TI application report, *Implications of Slow or Floating CMOS Inputs*, literature number SCBA004.

(5) All A-port I/Os and control inputs are powered by V_{CCA} .

1B, 2B, 3B, 4B, 9B1, and 10B1 are powered by V_{CCB0} .

5B, 6B, 7B, 8B, 9B2, 10B2, 11B, 12B, and 14B are powered by V_{CCB1} .

Electrical Characteristics⁽¹⁾⁽²⁾

over recommended operating free-air temperature range (unless otherwise noted)

PARAMETER		TEST CONDITIONS		V _{CCA}	V _{CCB}	MIN	TYP ⁽³⁾	MAX	UNIT
V _{OH} (A port)		V _I = V _{IH}	I _{OH} = -100 μA	1.4 V to 3.6 V	1.4 V to 3.6 V	V _{CCO} - 0.2		V	
			I _{OH} = -1 mA	1.4 V	1.4 V	1.05			
			I _{OH} = -2 mA	1.65 V	1.65 V	1.2			
			I _{OH} = -4 mA	2.3 V	2.3 V	1.75			
			I _{OH} = -8 mA	3 V	3 V	2.3			
V _{OL} (A port)		V _I = V _{IL}	I _{OL} = 100 μA	1.4 V to 3.6 V	1.4 V to 3.6 V	0.2		V	
			I _{OL} = 1 mA	1.4 V	1.4 V	0.35			
			I _{OL} = 2 mA	1.65 V	1.65 V	0.45			
			I _{OL} = 4 mA	2.3 V	2.3 V	0.55			
			I _{OL} = 8 mA	3 V	3 V	0.7			
		I _{OL} = 2 mA	Open-drain output (12A)	3 V	3 V	0.45			
V _{OH} (B port)		V _I = V _{IH}	I _{OH} = -100 μA	1.4 V to 3.6 V	1.4 V to 3.6 V	V _{CCO} - 0.2		V	
			I _{OH} = -2 mA	1.4 V	1.4 V	1.05			
			I _{OH} = -4 mA	1.65 V	1.65 V	1.2			
			I _{OH} = -8 mA	2.3 V	2.3 V	1.75			
			I _{OH} = -16 mA	3 V	3 V	2.3			
V _{OL} (B port)		V _I = V _{IL}	I _{OL} = 100 μA	1.4 V to 3.6 V	1.4 V to 3.6 V	0.2		V	
			I _{OL} = 2 mA	1.4 V	1.4 V	0.35			
			I _{OL} = 4 mA	1.65 V	1.65 V	0.45			
			I _{OL} = 8 mA	2.3 V	2.3 V	0.55			
			I _{OL} = 16 mA	3 V	3 V	0.7			
		I _{OL} = 2 mA	Open-drain output (14B)	3 V	3 V	0.45			
I _I	Control inputs	V _I = V _{CCA} or GND		1.4 V to 3.6 V	3.6 V	±2.5		μA	
I _{off}	14B	V _O = V _{CCA}		0 to 3.6 V	0 V	±10		μA	
I _{OZ} ⁽⁴⁾	A or B ports	V _O = V _{CCO} or GND, V _I = V _{IH} or V _{IL}	See function table for input states when outputs are Hi Z	3.6 V	3.6 V	±10		μA	
	A port			3.6 V	0 V	±10			
I _{CCA}		V _I = V _{CCI} or GND, I _O = 0		1.6 V	1.6 V	4.5		μA	
				1.95 V	1.95 V	5			
				1.95 V	0 V	5			
				2.7 V	2.7 V	5.5			
				3.6 V	0 V	10			
				3.6 V	3.6 V	10			
I _{CCB}		V _I = V _{CCI} or GND, I _O = 0		1.6 V	1.6 V	6.5		μA	
				1.95 V	1.95 V	7			
				1.95 V	0 V	0.5			
				2.7 V	2.7 V	7.5			
				3.6 V	0 V	1			
				3.6 V	3.6 V	10			

- (1) V_{CCO} is the V_{CC} associated with the output port.
(2) V_{CCI} is the V_{CC} associated with the data input port.
(3) All typical values are at T_A = 25°C.
(4) For I/O ports, the parameter I_{OZ} includes the input leakage current.

Electrical Characteristics (continued)

over recommended operating free-air temperature range (unless otherwise noted)

PARAMETER		TEST CONDITIONS	V _{CCA}	V _{CCB}	MIN	TYP ⁽³⁾	MAX	UNIT
C _i	Control inputs	V _I = V _{CCA} or GND	1.8 V	3 V	3.5			pF
	Clock input				4			
C _o	14B	V _O = V _{CCB} or GND	1.8 V	3 V	17.5			pF
C _{io}	A port	V _O = V _{CCA} or GND	1.8 V	3 V	4.5			pF
	B port	V _O = V _{CCB} or GND			11			

Output Slew Rates⁽¹⁾

over recommended operating free-air temperature range (unless otherwise noted)

PARAMETER	FROM	TO	V _{CCA} = 1.8 V ± 0.15 V, V _{CCB} = 3 V ± 0.3 V		UNIT
			MIN	MAX	
t _r	10%	90%	3 ⁽²⁾		ns
t _f	90%	10%	3 ⁽²⁾		ns

(1) Values are characterized, but not production tested.

(2) Using C_L = 15 pF on the B side and C_L = 7 pF on the A side. See derating curves for other load conditions.

Switching Characteristics

$V_{CCA} = 1.5\text{ V} \pm 0.1\text{ V}$, over recommended operating free-air temperature range (see Figure 1)

PARAMETER	FROM (INPUT)	TO (OUTPUT)	$V_{CCB} = 1.8\text{ V} \pm 0.15\text{ V}$		$V_{CCB} = 2.5\text{ V} \pm 0.2\text{ V}$		$V_{CCB} = 3\text{ V} \pm 0.3\text{ V}$		$V_{CCB} = 3.3\text{ V} \pm 0.3\text{ V}$		UNIT
			MIN	MAX	MIN	MAX	MIN	MAX	MIN	MAX	
t_{pd}	A	B	1	7.7	1	4.9	1	4.7	1	4.4	ns
	B	A	1	6.3	1	5	1	5	1	5	
	CLK.h or SCLK.h	CLK.0 or SCLK.0	1	7.7	1	5	1	4.9	1	4.9	
	CLK.h or SCLK.h	CLK-f.h or SCLK-f.h	2	19	2	12	2	10	2	9.7	
	CMD.h	CMD.0	1	7.1	1	4.1	1	3.9	1	3.6	
	CMD.h	CMD.1	1	7	1	4.6	1	4.1	1	4.2	
	CMD.0	CMD.h	1	6.2	1	4.9	1	4.8	1	4.7	
	$\overline{CS0}$	B	1	6	1	4.2	1	4.2	1	3.9	
	R/B	R/B.h	1	5.7	1	4.8	1	4.7	1	4.8	
	\overline{WE}	\overline{WE} .h	1	7.4	1	4.3	1	4.3	1	4.2	
\overline{WP}	\overline{WP} .h	1	6.6	1	4.5	1	4.4	1	4.3		
t_{en}	DAT1.0 or DATA1.0	\overline{TRQ}	1	4.8	1	3.3	1	3.3	1	3.3	ns
	DAT1.1 or DATA1.1	\overline{TRQ}	1	4.9	1	3.4	1	3.3	1	3.3	
	DIR	B	1	6.7	1	4.5	1	4.4	1	4.6	
	DIR	A	1	10.3	1	9.6	1	9.6	1	9.5	
	R/B	R/B.h (open drain)	1	5.9	1	5.4	1	5.4	1	5.4	
t_{dis}	DAT1.0 or DATA1.0	\overline{TRQ}	1	6.7	1	4.9	1	5.5	1	5.5	ns
	DAT1.1 or DATA1.1	\overline{TRQ}	1	6.5	1	4.7	1	5.4	1	5.4	
	DIR	B	1	6.9	1	6.4	1	6.4	1	6.3	
	DIR	A	1	5.3	1	5.3	1	5.3	1	5.2	
	R/B	R/B.h (open drain)	1	16.9	1	17.4	1	5.3	1	4.1	

Maximum Frequency and Output Skew

$V_{CCA} = 1.5\text{ V} \pm 0.1\text{ V}$, over recommended operating free-air temperature range (see Figure 1)

PARAMETER	FROM (INPUT)	TO (OUTPUT)	$V_{CCB} = 3\text{ V} \pm 0.3\text{ V}$		$V_{CCB} = 3.3\text{ V} \pm 0.3\text{ V}$		UNIT
			MIN	MAX	MIN	MAX	
f_{max}	Clock	A			52	52	MHz
		B			52	52	
	Data	A			26	26	
		B			26	26	
$t_{sk(o)}$	A	B		1.5	1.5	ns	

Switching Characteristics

$V_{CCA} = 1.8 \text{ V} \pm 0.15 \text{ V}$, over recommended operating free-air temperature range (see Figure 1)

PARAMETER	FROM (INPUT)	TO (OUTPUT)	$V_{CCB} = 1.8 \text{ V} \pm 0.15 \text{ V}$		$V_{CCB} = 2.5 \text{ V} \pm 0.2 \text{ V}$		$V_{CCB} = 3 \text{ V} \pm 0.3 \text{ V}$		$V_{CCB} = 3.3 \text{ V} \pm 0.3 \text{ V}$		UNIT
			MIN	MAX	MIN	MAX	MIN	MAX	MIN	MAX	
t_{pd}	A	B	1	7.5	1	4.6	1	4.1	1	3.7	ns
	B	A	1	4.6	1	4.2	1	4.1	1	4	
	CLK.h or SCLK.h	CLK.0 or SCLK.0	1	8	1	4.8	1	4.3	1	4.2	
	CLK.h or SCLK.h	CLK-f.h or SCLK-f.h	2	17.9	2	9.4	2	8.7	2	8.3	
	CMD.h	CMD.0	1	7.4	1	3.7	1	3.3	1	3.3	
	CMD.h	CMD.1	1	6.2	1	4.4	1	3.7	1	3.5	
	CMD.0	CMD.h	1	4.5	1	4	1	3.8	1	3.8	
	$\overline{CS}0$	B	1	6.6	1	4	1	4	1	3.8	
	R/B	R/B.h	1	4.4	1	4	1	3.8	1	3.8	
	\overline{WE}	$\overline{WE}.h$	1	7.3	1	3.9	1	3.8	1	3.7	
\overline{WP}	$\overline{WP}.h$	1	5.6	1	4	1	3.6	1	3.8		
t_{en}	DAT1.0 or DATA1.0	\overline{TRQ}	1	5	1	3.3	1	3.3	1	3.3	ns
	DAT1.1 or DATA1.1	\overline{TRQ}	1	4.6	1	3.1	1	3.1	1	3.1	
	DIR	B	1	6.4	1	3.8	1	3.6	1	3.6	
	DIR	A	1	7.7	1	6.9	1	6.9	1	6.9	
	R/B	R/B.h (open drain)	1	4.4	1	4.1	1	4.1	1	4.1	
t_{dis}	DAT1.0 or DATA1.0	\overline{TRQ}	1	6.5	1	4.8	1	5.5	1	5.5	ns
	DAT1.1 or DATA1.1	\overline{TRQ}	1	6.6	1	4.8	1	5.3	1	5.3	
	DIR	B	1	6.3	1	5.4	1	5.7	1	5.7	
	DIR	A	1	5.2	1	5.3	1	5.2	1	5.2	
	R/B	R/B.h (open drain)	1	15.9	1	19.5	1	5.6	1	3.8	

Maximum Frequency and Output Skew

$V_{CCA} = 1.8 \text{ V} \pm 0.15 \text{ V}$, over recommended operating free-air temperature range (see Figure 1)

PARAMETER	FROM (INPUT)	TO (OUTPUT)	$V_{CCB} = 3 \text{ V} \pm 0.3 \text{ V}$		$V_{CCB} = 3.3 \text{ V} \pm 0.3 \text{ V}$		UNIT
			MIN	MAX	MIN	MAX	
f_{max}	Clock	A			52	52	MHz
		B			52	52	
	Data	A			26	26	
		B			26	26	
$t_{sk(o)}$	A	B			0.8	0.8	ns

Switching Characteristics

$V_{CCA} = 2.5 \text{ V} \pm 0.2 \text{ V}$, over recommended operating free-air temperature range (see Figure 1)

PARAMETER	FROM (INPUT)	TO (OUTPUT)	$V_{CCB} = 2.5 \text{ V} \pm 0.2 \text{ V}$		$V_{CCB} = 3 \text{ V} \pm 0.3 \text{ V}$		$V_{CCB} = 3.3 \text{ V} \pm 0.3 \text{ V}$		UNIT
			MIN	MAX	MIN	MAX	MIN	MAX	
t_{pd}	A	B	1	4	1	3.4	1	3.1	ns
	B	A	1	3.7	1	3.5	1	3.6	
	CLK.h or SCLK.h	CLK.0 or SCLK.0	1	3.9	1	3.5	1	3.5	
	CLK.h or SCLK.h	CLK-f.h or SCLK-f.h	2	8.3	2	7.3	2	7	
	CMD.h	CMD.0	1	3.2	1	3.1	1	2.7	
	CMD.h	CMD.1	1	3.6	1	3	1	2.8	
	CMD.0	CMD.h	1	3	1	3	1	3	
	$\overline{CS0}$	B	1	4.2	1	3.7	1	3.3	
	R/B	R/B.h	1	3.1	1	3	1	2.9	
	\overline{WE}	\overline{WE} .h	1	3.6	1	3.4	1	3	
\overline{WP}	\overline{WP} .h	1	3.5	1	3.1	1	2.9		
t_{en}	DAT1.0 or DATA1.0	\overline{TRQ}	1	3.3	1	3.3	1	3.2	ns
	DAT1.1 or DATA1.1	\overline{TRQ}	1	3.6	1	3.4	1	3.2	
	DIR	B	1	4.7	1	4.4	1	3.6	
	DIR	A	1	5.3	1	5.3	1	5.1	
	R/B	R/B.h (open drain)	1	3.2	1	3.1	1	3	
t_{dis}	DAT1.0 or DATA1.0	\overline{TRQ}	1	7.2	1	5.4	1	5.4	ns
	DAT1.1 or DATA1.1	\overline{TRQ}	1	7	1	5.4	1	5.4	
	DIR	B	1	4.5	1	5.1	1	5.1	
	DIR	A	1	3.7	1	3.7	1	3.7	
	R/B	R/B.h (open drain)	1	3.2	1	3.9	1	3.9	

Maximum Frequency and Output Skew

$V_{CCA} = 2.5 \text{ V} \pm 0.2 \text{ V}$, over recommended operating free-air temperature range (see Figure 1)

PARAMETER	FROM (INPUT)	TO (OUTPUT)	$V_{CCB} = 3 \text{ V} \pm 0.3 \text{ V}$		$V_{CCB} = 3.3 \text{ V} \pm 0.3 \text{ V}$		UNIT
			MIN	MAX	MIN	MAX	
f_{max}	Clock	A	52		52		MHz
		B	52		52		
	Data	A	26		26		
		B	26		26		
$t_{sk(o)}$	A	0.7		0.7		ns	

Switching Characteristics
 $V_{CCA} = 3.3\text{ V} \pm 0.3\text{ V}$, over recommended operating free-air temperature range (see Figure 1)

PARAMETER	FROM (INPUT)	TO (OUTPUT)	$V_{CCB} = 3.3\text{ V} \pm 0.3\text{ V}$		UNIT
			MIN	MAX	
t_{pd}	A	B	1	2.9	ns
	B	A	1	3.8	
	CLK.h or SCLK.h	CLK.0 or SCLK.0	1	3.3	
	CLK.h or SCLK.h	CLK-f.h or SCLK-f.h	2	6.1	
	CMD.h	CMD.0	1	2.7	
	CMD.h	CMD.1	1	2.7	
	CMD.0	CMD.h	1	2.6	
	$\overline{CS0}$	B	1	3.7	
	R/B	R/B.h	1	2.5	
	\overline{WE}	$\overline{WE}.h$	1	3	
\overline{WP}	$\overline{WP}.h$	1	2.8		
t_{en}	DAT1.0 or DATA1.0	\overline{IRQ}	1	3.2	ns
	DAT1.1 or DATA1.1	\overline{IRQ}	1	3.2	
	DIR	B	1	3.7	
	DIR	A	1	4.7	
	R/B	R/B.h (open drain)	1	4.9	
t_{dis}	DAT1.0 or DATA1.0	\overline{IRQ}	1	5.3	ns
	DAT1.1 or DATA1.1	\overline{IRQ}	1	5.2	
	DIR	B	1	5	
	DIR	A	1	4.7	
	R/B	R/B.h (open drain)	1	6	

Maximum Frequency and Output Skew
 $V_{CCA} = 3.3\text{ V} \pm 0.3\text{ V}$, over recommended operating free-air temperature range (see Figure 1)

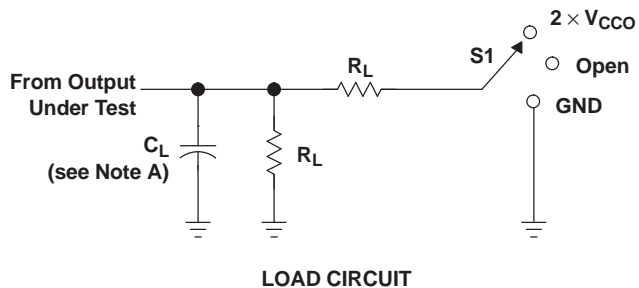
PARAMETER		FROM (INPUT)	TO (OUTPUT)	$V_{CCB} = 3.3\text{ V} \pm 0.3\text{ V}$		UNIT
				MIN	MAX	
f_{max}	Clock	A	B	52		MHz
		B	A	52		
	Data	A	B	26		
		B	A	26		
$t_{sk(o)}$		A	B	0.7		ns

Operating Characteristics

$V_{CCA} = 1.8\text{ V}$, $V_{CCB} = 3\text{ V}$, $T_A = 25^\circ\text{C}$

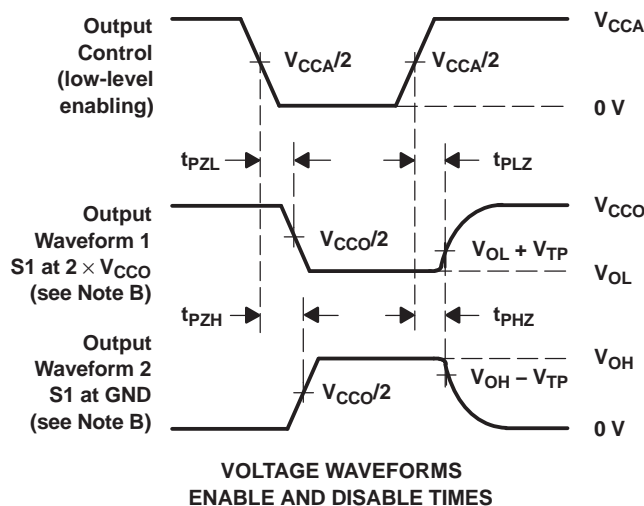
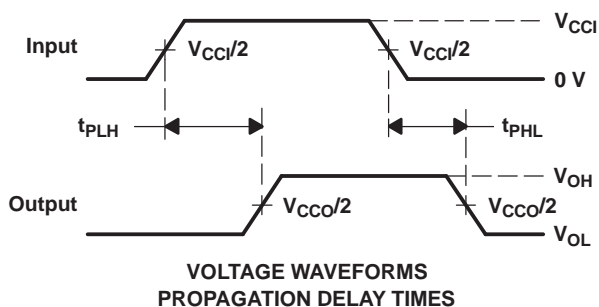
PARAMETER		TEST CONDITIONS	TYP	UNIT
C_{pdA}	Power dissipation capacitance per transceiver, A-port input, B-port output	Outputs enabled	9	pF
		Outputs disabled	0.1	
	Power dissipation capacitance per transceiver, B-port input, A-port output	Outputs enabled	16	
		Outputs disabled	7.5	
C_{pdB0}	Power dissipation capacitance per transceiver, A-port input, B-port output	Outputs enabled	16.5	pF
		Outputs disabled	0.1	
	Power dissipation capacitance per transceiver, B-port input, A-port output	Outputs enabled	4	
		Outputs disabled	2	
C_{pdB1}	Power dissipation capacitance per transceiver, A-port input, B-port output	Outputs enabled	18	pF
		Outputs disabled	0.1	
	Power dissipation capacitance per transceiver, B-port input, A-port output	Outputs enabled	6	
		Outputs disabled	3	

PARAMETER MEASUREMENT INFORMATION



TEST	S1
t_{pd}	Open
t_{PLZ}/t_{PZL}	$2 \times V_{CCO}$
t_{PHZ}/t_{PZH}	GND
t_{PLZ}/t_{PZL} (OD)	$2 \times V_{CCO}$

V_{CCO}	C_L	R_L	V_{TP}
$1.5 \text{ V} \pm 0.1 \text{ V}$	15 pF	2 k Ω	0.1 V
$1.8 \text{ V} \pm 0.15 \text{ V}$	15 pF	2 k Ω	0.15 V
$2.5 \text{ V} \pm 0.2 \text{ V}$	15 pF	2 k Ω	0.15 V
$3.3 \text{ V} \pm 0.3 \text{ V}$	15 pF	2 k Ω	0.3 V



- NOTES:
- A. C_L includes probe and jig capacitance.
 - B. Waveform 1 is for an output with internal conditions such that the output is low, except when disabled by the output control. Waveform 2 is for an output with internal conditions such that the output is high, except when disabled by the output control.
 - C. All input pulses are supplied by generators having the following characteristics: $PRR \leq 10 \text{ MHz}$, $Z_O = 50 \Omega$, $dv/dt \geq 1 \text{ V/ns}$.
 - D. The outputs are measured one at a time, with one transition per measurement.
 - E. t_{PLZ} and t_{PHZ} are the same as t_{dis} .
 - F. t_{PZL} and t_{PZH} are the same as t_{en} .
 - G. t_{PLH} and t_{PHL} are the same as t_{pd} .
 - H. V_{CCi} is the V_{CC} associated with the input port.
 - I. V_{CCo} is the V_{CC} associated with the output port.

Figure 1. Load Circuit and Voltage Waveforms

PACKAGING INFORMATION

Orderable Device	Status (1)	Package Type	Package Drawing	Pins	Package Qty	Eco Plan (2)	Lead finish/ Ball material (6)	MSL Peak Temp (3)	Op Temp (°C)	Device Marking (4/5)	Samples
SN74AVCA406DGGR	ACTIVE	TSSOP	DGG	48	2000	RoHS & Green	NIPDAU	Level-1-260C-UNLIM	-40 to 85	AVCA406	Samples
SN74AVCA406DGGRG4	ACTIVE	TSSOP	DGG	48	2000	TBD	Call TI	Call TI	-40 to 85		Samples

(1) The marketing status values are defined as follows:

ACTIVE: Product device recommended for new designs.

LIFEBUY: TI has announced that the device will be discontinued, and a lifetime-buy period is in effect.

NRND: Not recommended for new designs. Device is in production to support existing customers, but TI does not recommend using this part in a new design.

PREVIEW: Device has been announced but is not in production. Samples may or may not be available.

OBSOLETE: TI has discontinued the production of the device.

(2) **RoHS:** TI defines "RoHS" to mean semiconductor products that are compliant with the current EU RoHS requirements for all 10 RoHS substances, including the requirement that RoHS substance do not exceed 0.1% by weight in homogeneous materials. Where designed to be soldered at high temperatures, "RoHS" products are suitable for use in specified lead-free processes. TI may reference these types of products as "Pb-Free".

RoHS Exempt: TI defines "RoHS Exempt" to mean products that contain lead but are compliant with EU RoHS pursuant to a specific EU RoHS exemption.

Green: TI defines "Green" to mean the content of Chlorine (Cl) and Bromine (Br) based flame retardants meet JS709B low halogen requirements of <=1000ppm threshold. Antimony trioxide based flame retardants must also meet the <=1000ppm threshold requirement.

(3) MSL, Peak Temp. - The Moisture Sensitivity Level rating according to the JEDEC industry standard classifications, and peak solder temperature.

(4) There may be additional marking, which relates to the logo, the lot trace code information, or the environmental category on the device.

(5) Multiple Device Markings will be inside parentheses. Only one Device Marking contained in parentheses and separated by a "~" will appear on a device. If a line is indented then it is a continuation of the previous line and the two combined represent the entire Device Marking for that device.

(6) Lead finish/Ball material - Orderable Devices may have multiple material finish options. Finish options are separated by a vertical ruled line. Lead finish/Ball material values may wrap to two lines if the finish value exceeds the maximum column width.

Important Information and Disclaimer:The information provided on this page represents TI's knowledge and belief as of the date that it is provided. TI bases its knowledge and belief on information provided by third parties, and makes no representation or warranty as to the accuracy of such information. Efforts are underway to better integrate information from third parties. TI has taken and continues to take reasonable steps to provide representative and accurate information but may not have conducted destructive testing or chemical analysis on incoming materials and chemicals. TI and TI suppliers consider certain information to be proprietary, and thus CAS numbers and other limited information may not be available for release.

In no event shall TI's liability arising out of such information exceed the total purchase price of the TI part(s) at issue in this document sold by TI to Customer on an annual basis.

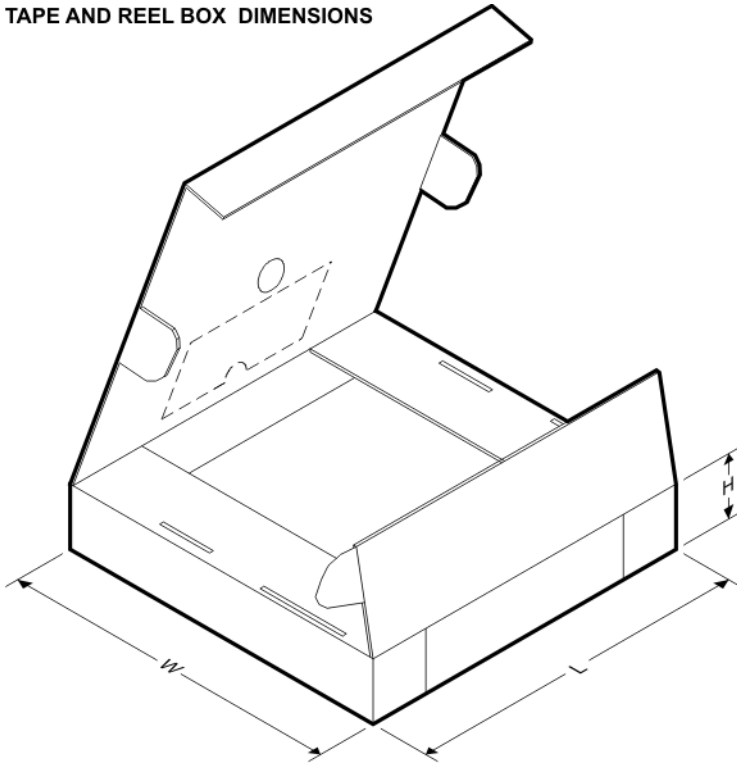
TAPE AND REEL INFORMATION

QUADRANT ASSIGNMENTS FOR PIN 1 ORIENTATION IN TAPE


*All dimensions are nominal

Device	Package Type	Package Drawing	Pins	SPQ	Reel Diameter (mm)	Reel Width W1 (mm)	A0 (mm)	B0 (mm)	K0 (mm)	P1 (mm)	W (mm)	Pin1 Quadrant
SN74AVCA406DGGR	TSSOP	DGG	48	2000	330.0	24.4	8.6	13.0	1.8	12.0	24.0	Q1

TAPE AND REEL BOX DIMENSIONS



*All dimensions are nominal

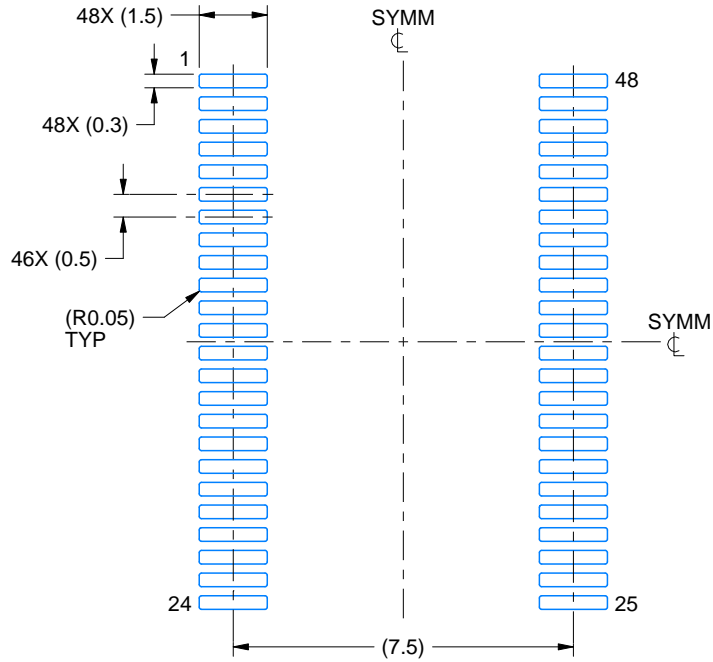
Device	Package Type	Package Drawing	Pins	SPQ	Length (mm)	Width (mm)	Height (mm)
SN74AVCA406DGGR	TSSOP	DGG	48	2000	367.0	367.0	45.0

EXAMPLE BOARD LAYOUT

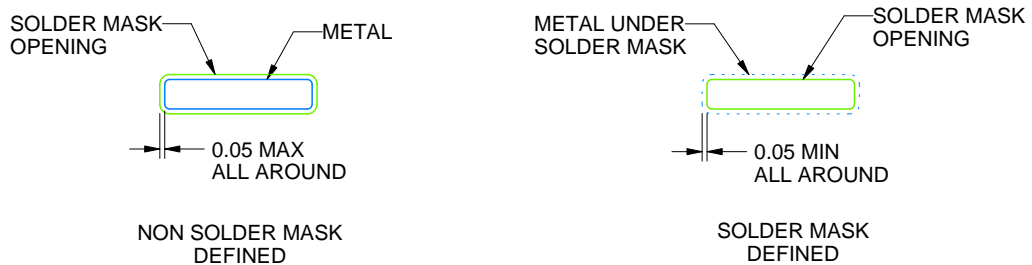
DGG0048A

TSSOP - 1.2 mm max height

SMALL OUTLINE PACKAGE



LAND PATTERN EXAMPLE
SCALE:6X



SOLDER MASK DETAILS

4214859/B 11/2020

NOTES: (continued)

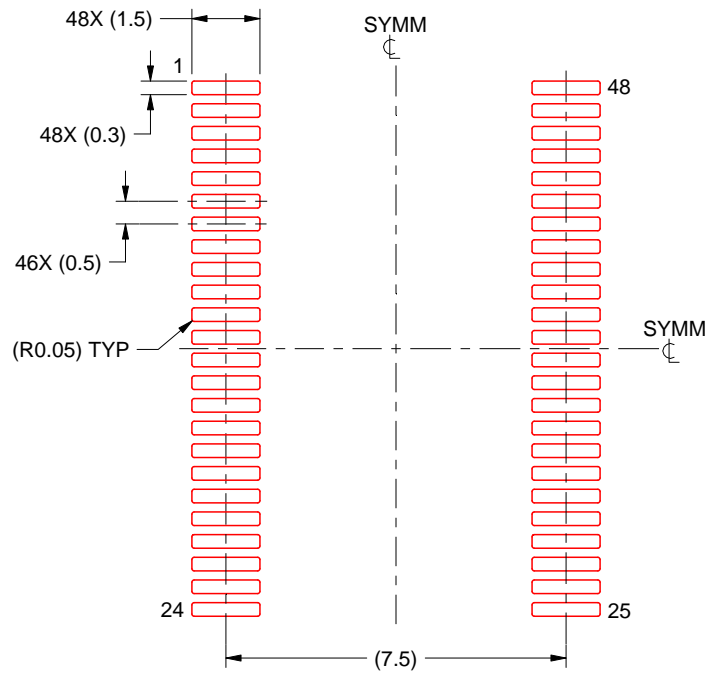
- 5. Publication IPC-7351 may have alternate designs.
- 6. Solder mask tolerances between and around signal pads can vary based on board fabrication site.

EXAMPLE STENCIL DESIGN

DGG0048A

TSSOP - 1.2 mm max height

SMALL OUTLINE PACKAGE



SOLDER PASTE EXAMPLE
BASED ON 0.125 mm THICK STENCIL
SCALE:6X

4214859/B 11/2020

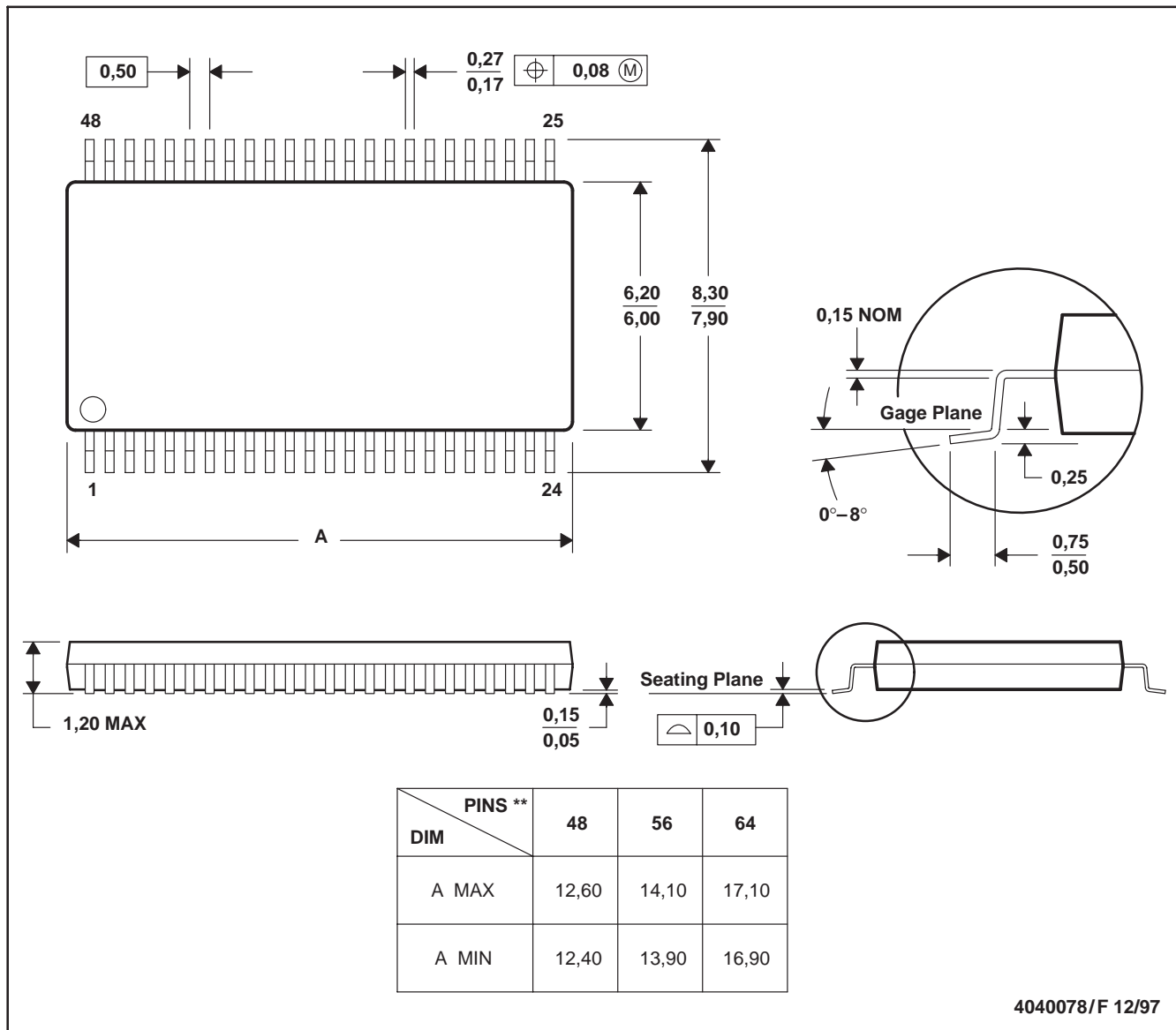
NOTES: (continued)

7. Laser cutting apertures with trapezoidal walls and rounded corners may offer better paste release. IPC-7525 may have alternate design recommendations.
8. Board assembly site may have different recommendations for stencil design.

DGG (R-PDSO-G**)

PLASTIC SMALL-OUTLINE PACKAGE

48 PINS SHOWN



- NOTES: A. All linear dimensions are in millimeters.
 B. This drawing is subject to change without notice.
 C. Body dimensions do not include mold protrusion not to exceed 0,15.
 D. Falls within JEDEC MO-153

IMPORTANT NOTICE AND DISCLAIMER

TI PROVIDES TECHNICAL AND RELIABILITY DATA (INCLUDING DATA SHEETS), DESIGN RESOURCES (INCLUDING REFERENCE DESIGNS), APPLICATION OR OTHER DESIGN ADVICE, WEB TOOLS, SAFETY INFORMATION, AND OTHER RESOURCES "AS IS" AND WITH ALL FAULTS, AND DISCLAIMS ALL WARRANTIES, EXPRESS AND IMPLIED, INCLUDING WITHOUT LIMITATION ANY IMPLIED WARRANTIES OF MERCHANTABILITY, FITNESS FOR A PARTICULAR PURPOSE OR NON-INFRINGEMENT OF THIRD PARTY INTELLECTUAL PROPERTY RIGHTS.

These resources are intended for skilled developers designing with TI products. You are solely responsible for (1) selecting the appropriate TI products for your application, (2) designing, validating and testing your application, and (3) ensuring your application meets applicable standards, and any other safety, security, regulatory or other requirements.

These resources are subject to change without notice. TI grants you permission to use these resources only for development of an application that uses the TI products described in the resource. Other reproduction and display of these resources is prohibited. No license is granted to any other TI intellectual property right or to any third party intellectual property right. TI disclaims responsibility for, and you will fully indemnify TI and its representatives against, any claims, damages, costs, losses, and liabilities arising out of your use of these resources.

TI's products are provided subject to [TI's Terms of Sale](#) or other applicable terms available either on ti.com or provided in conjunction with such TI products. TI's provision of these resources does not expand or otherwise alter TI's applicable warranties or warranty disclaimers for TI products.

TI objects to and rejects any additional or different terms you may have proposed.

Mailing Address: Texas Instruments, Post Office Box 655303, Dallas, Texas 75265
Copyright © 2022, Texas Instruments Incorporated