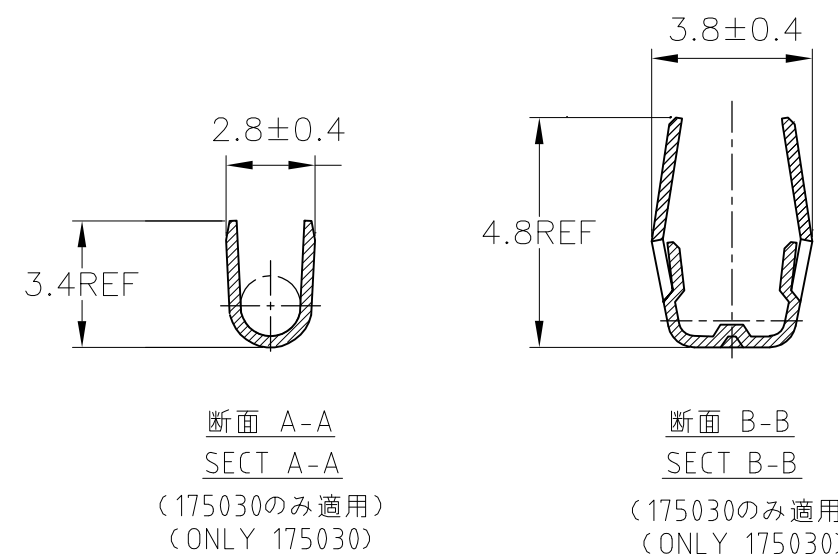
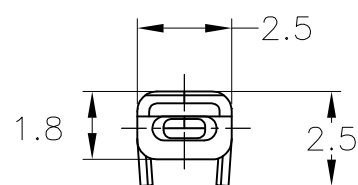
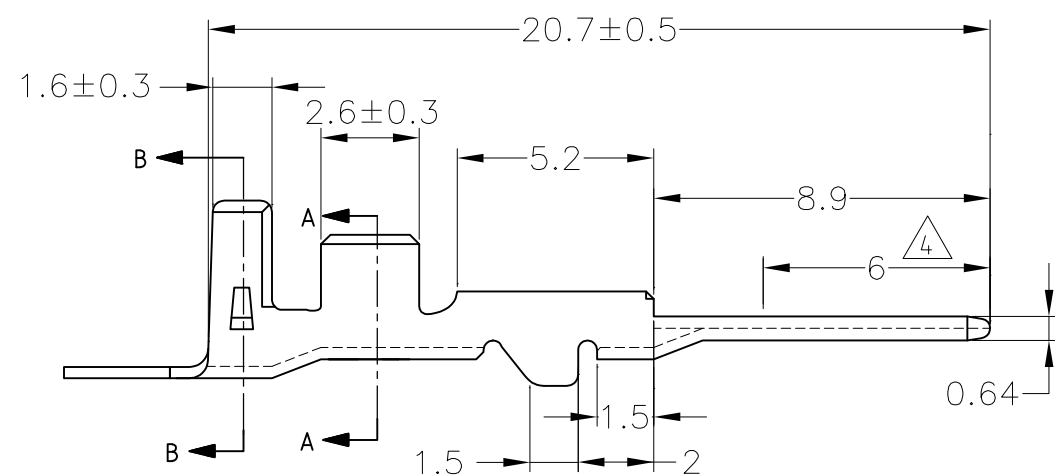
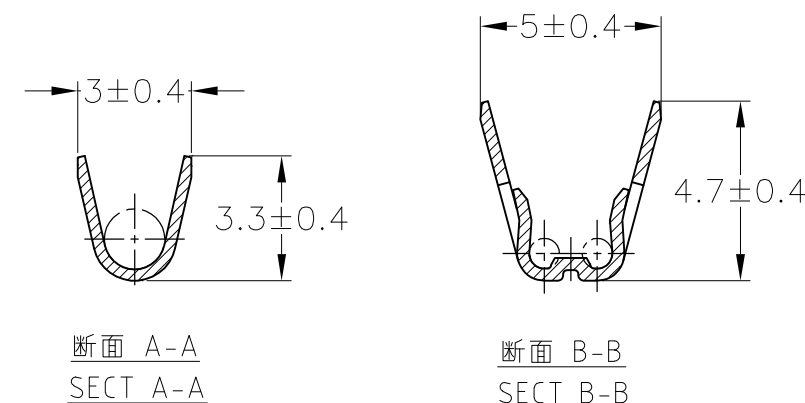
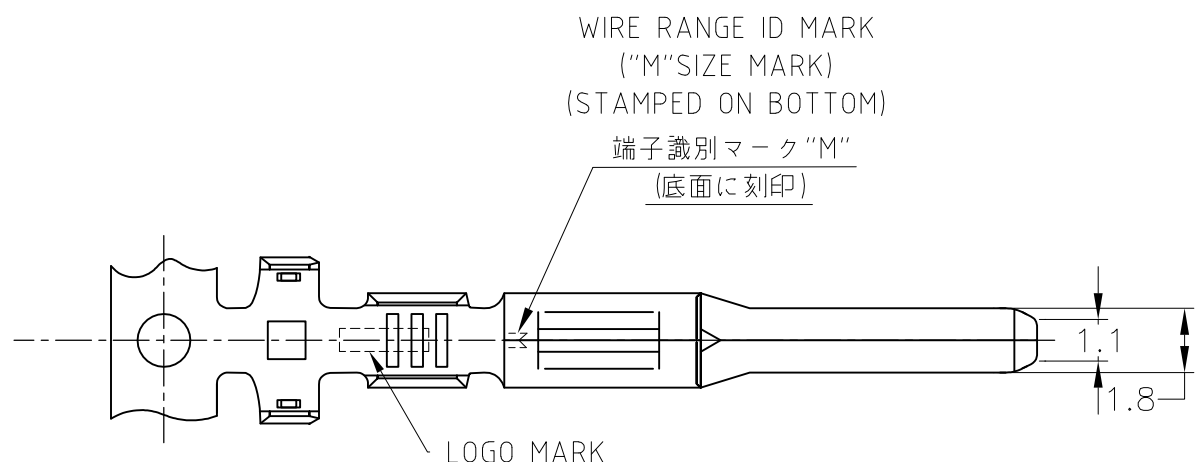


P	LTR	DESCRIPTION	DATE	DWN	APVD
	F	REVISED ECR-17-012605	25JAN2018	YN	TK



- 1. 製品規格; 108-5231, 108-5264
- 2. 嵌合相手端子型番; 173631 他
- 3. 圧着規格; 114-5092
- △ 部分金めっき, 他はニッケルめっき

- 1. SPEC; 108-5231, 108-5264
- 2. RECEPTACLE CONTACT; 173631 etc
- 3. APPLICATION SPECIFICATION; 114-5092
- △ SELECTIVE GOLD PLATING, REMAINDER NICKEL PLATING

TOLERANCES UNLESS OTHERWISE SPECIFIED: 一般公差	
10 ≥	±0.2
30 ≥ > 10	±0.25
100 ≥ > 30	±0.3
ANGLE	±3°

THIS DRAWING IS A CONTROLLED DOCUMENT.		DWN M.SUGAWARA 16MAY06		 TE Connectivity Ltd.			
DIMENSIONS: 単位: 耗 mm		CHK T.SHINOHARA 16MAY06				NAME 名称	
TOLERANCES UNLESS OTHERWISE SPECIFIED: 一般公差		APVD K.BETSUI 16MAY06					
MATERIAL 材料 SEE TABLE		PRODUCT SPEC 製品規格 SEE NOTE				SIZE A3	
FINISH 仕上 SEE TABLE		APPLICATION SPEC 取付適用規格 SEE NOTE		CAGE CODE 00779			
WIRE RANGE 0.5~1.25mm ² (AWG#20-#16)		INSULATION DIA. 2~2.6mmφ		DRAWING NO 番号 C-173645			
WEIGHT -		CUSTOMER DRAWING		RESTRICTED TO -			
SCALE 尺度 5:1		SHEET 1 OF 1		REV F			