

# CGA6N2NP02A473J230AA

TDK Item Description : CGA6N2NP02A473JT\*\*\*



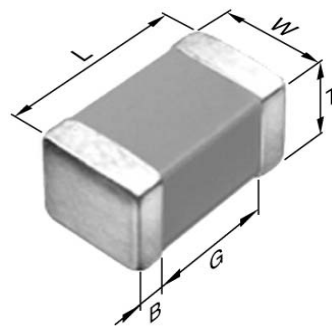
Equivalent C3225NP02A473J for Automotive

## Application & Main Feature

Automotive Grade ( High Temperature Application )

## Series

CGA6(3225) [EIA CC1210]



## Dimensions

L 3.20mm +/-0.4mm  
W 2.50mm +/-0.3mm  
T 2.30mm +/-0.2mm  
B 0.20mm Min.  
G

## Temperature Characteristic

NP0 (-55 to 150 degC 0+/-30ppm/degC)

## Rated Voltage

2A (100Vdc)

## Capacitance

47nF

## Capacitance Tolerance

J (+/-5%)

## Q Factor

1000 Min.

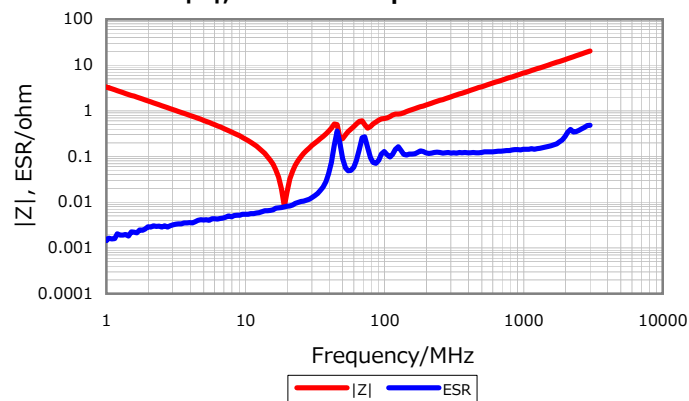
## Insulation Resistance

10Gohm Min.

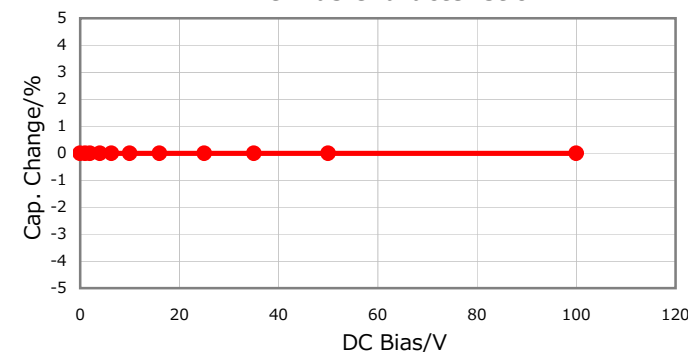
## AEC-Q200

Yes

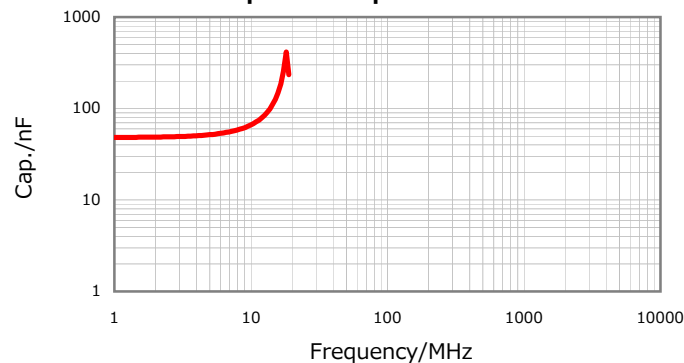
### |Z|, ESR vs. Freq. Characteristics



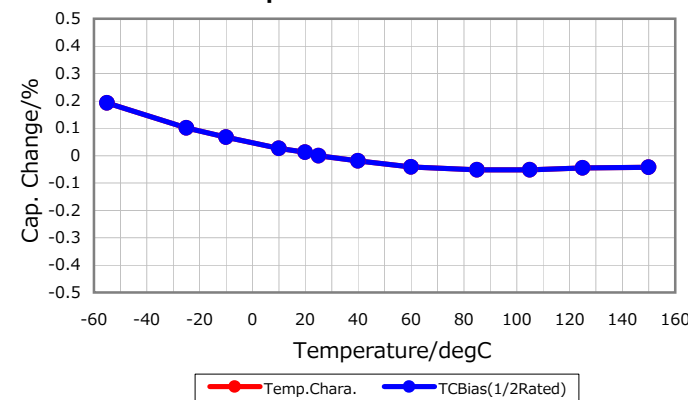
### DC Bias Characteristic



### Cap. vs. Freq. Characteristic



### Temperature Characteristics



Characterization Sheet ( Multilayer Ceramic Chip Capacitors )



All specifications are subject to change without notice.

January 4, 2016