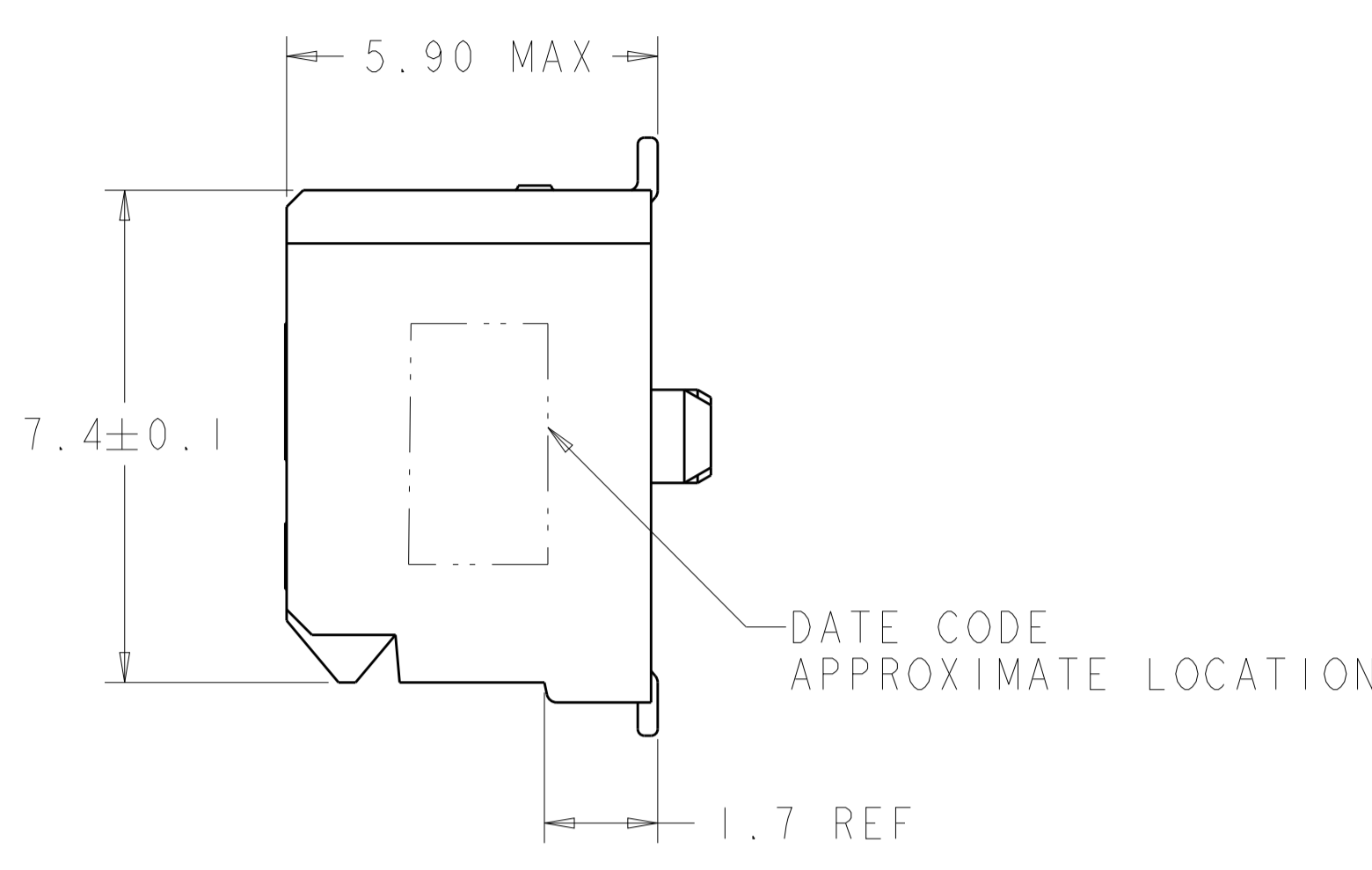
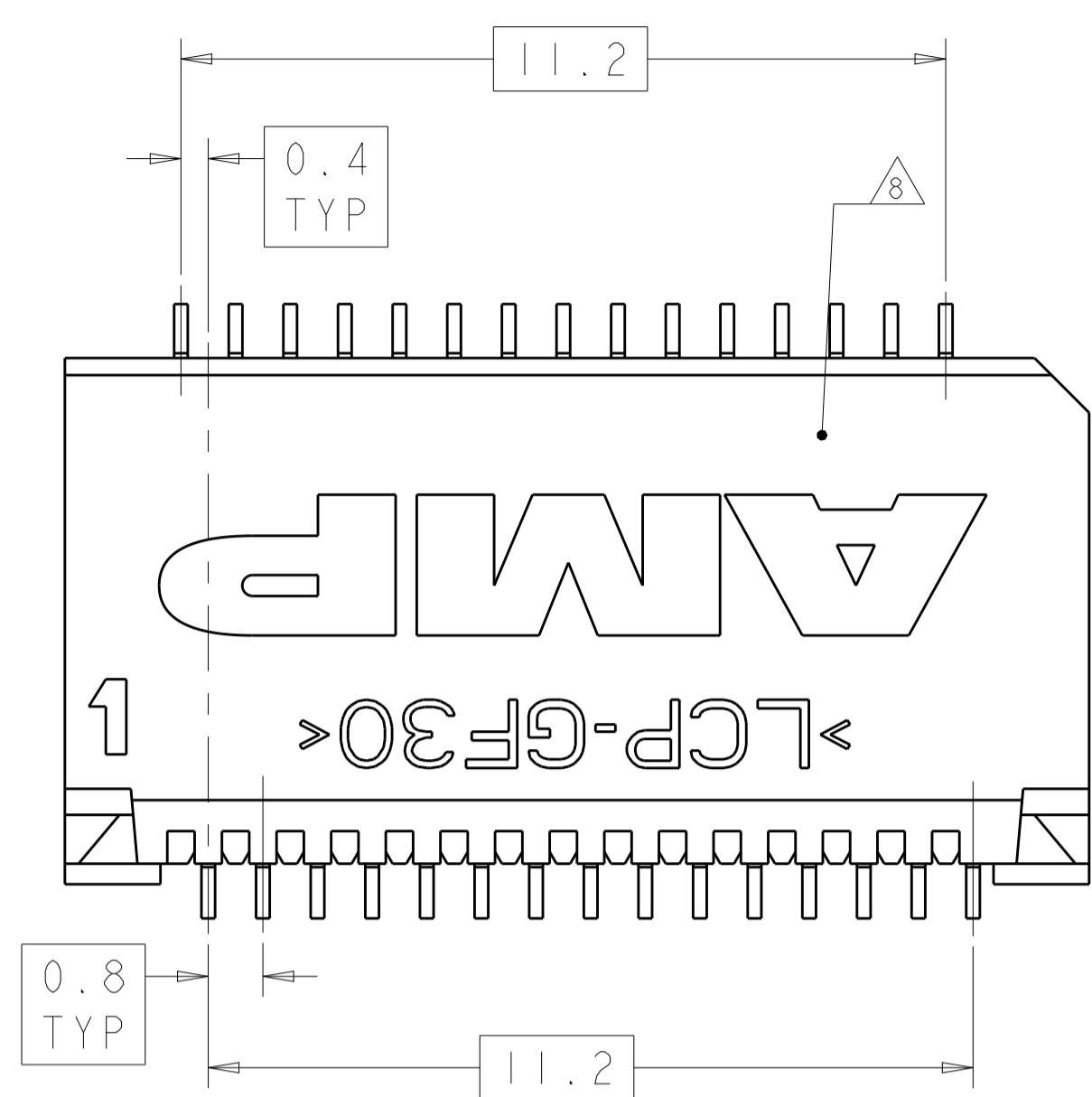
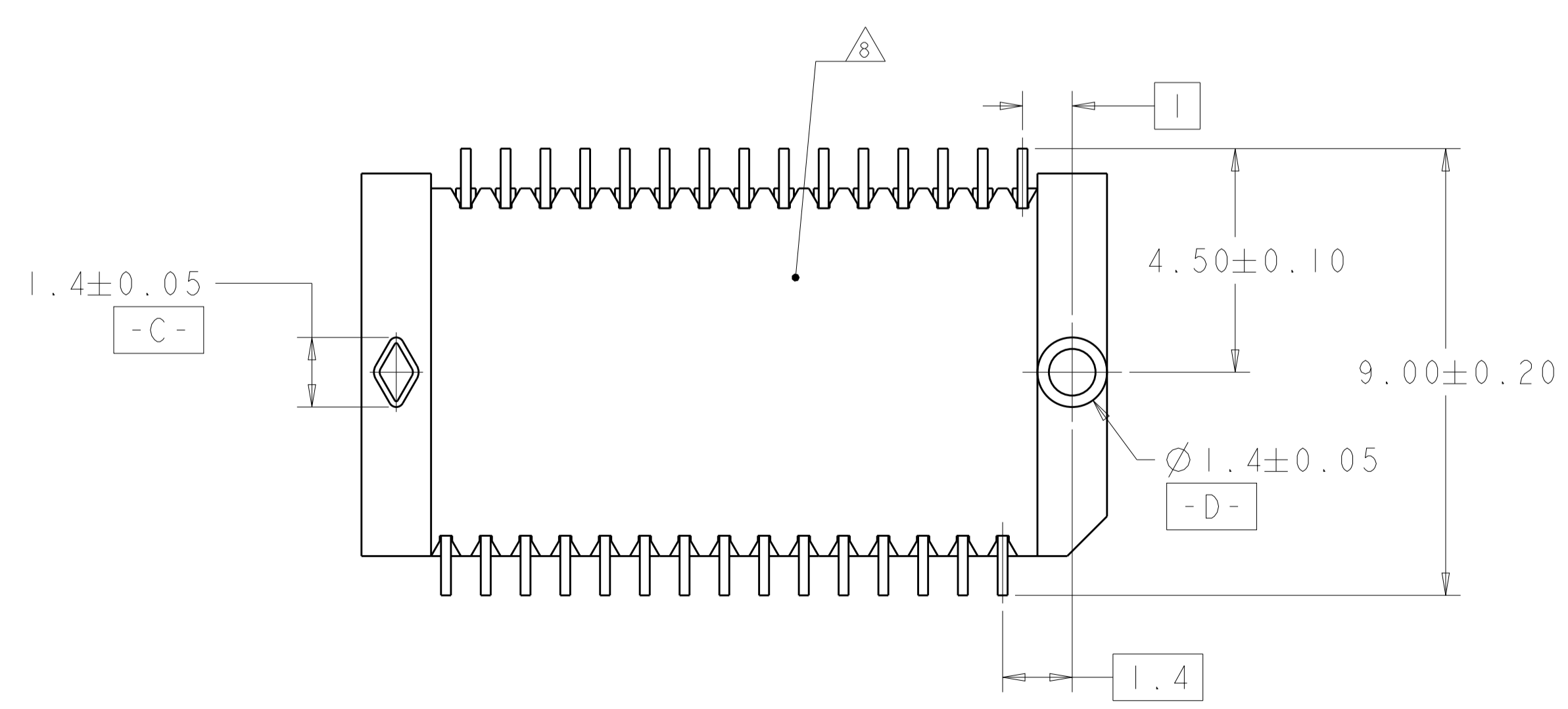
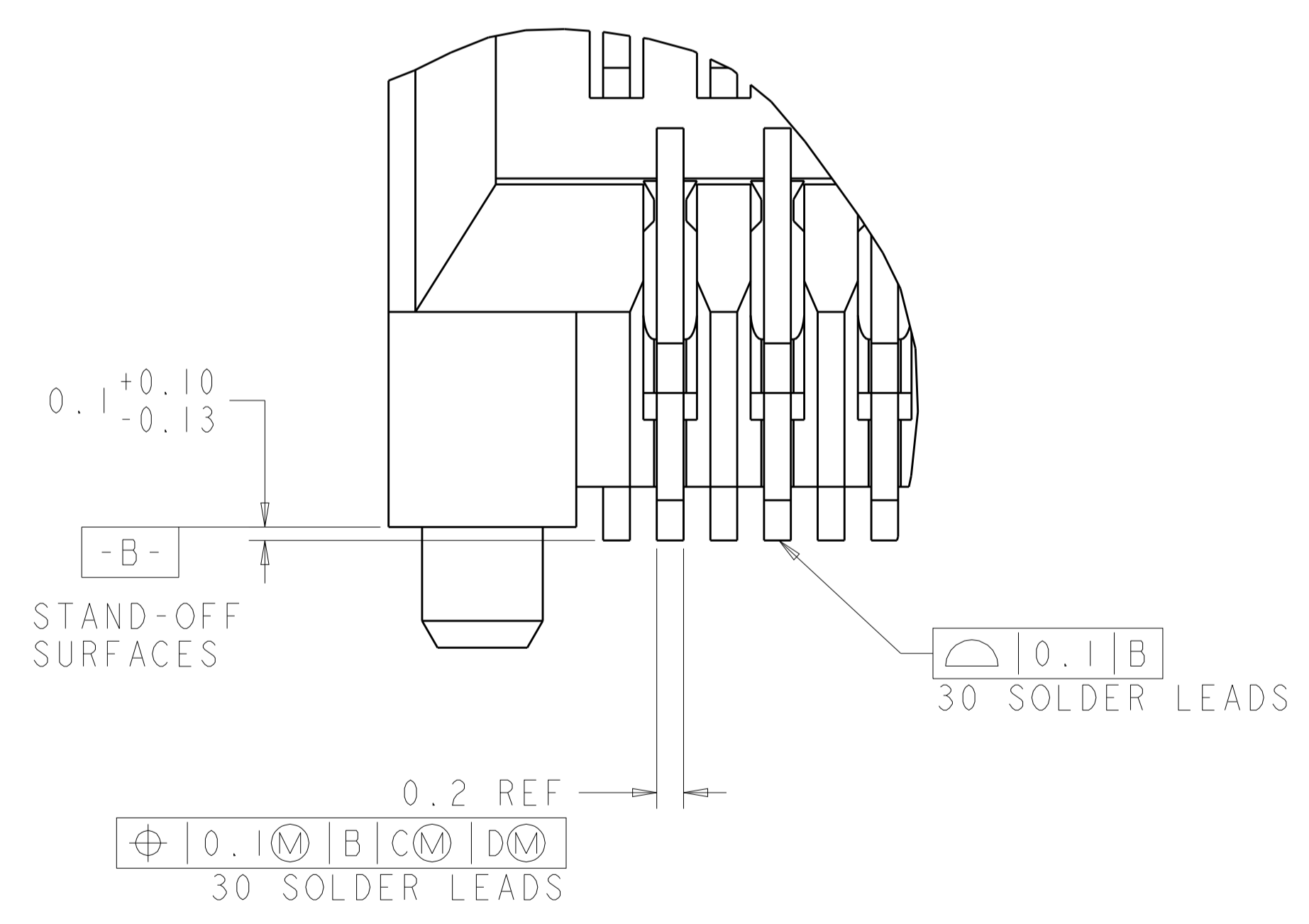
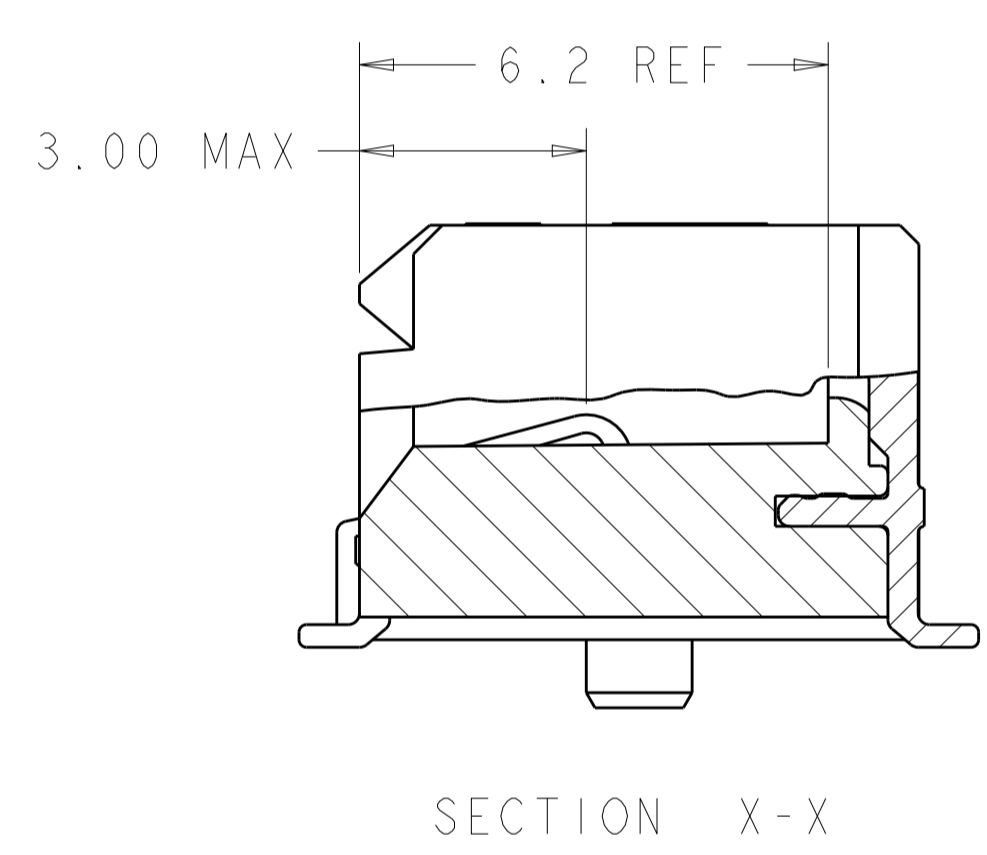
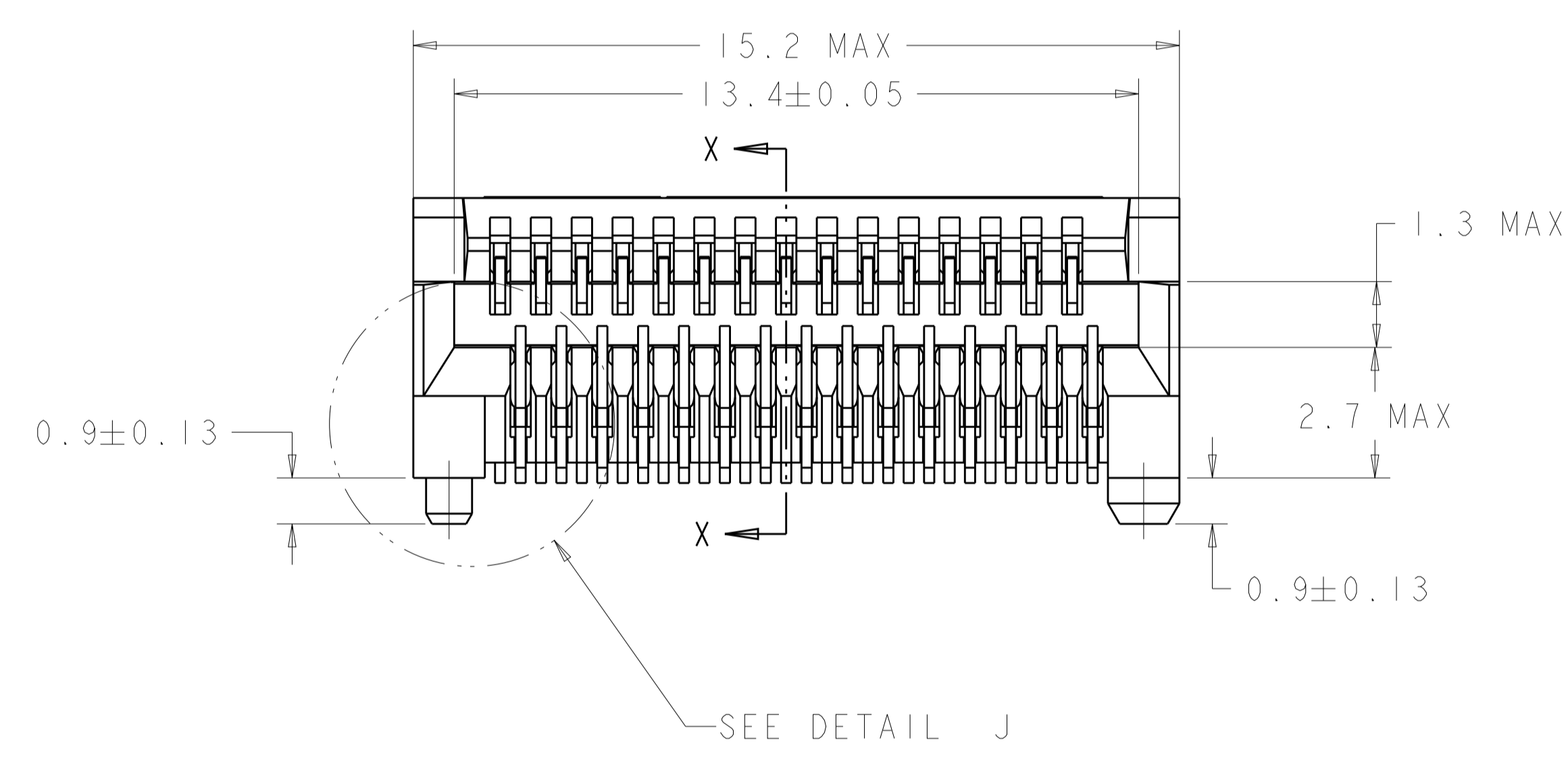


| LOC | DIST | REV | DESCRIPTION               | DATE      | DMN | APVD |
|-----|------|-----|---------------------------|-----------|-----|------|
| ES  | 00   |     |                           |           |     |      |
|     |      | K   | REVISED PER ECO-12-013119 | 16JUL2012 | AZ  | AC   |
|     |      | K1  | REVISED PER ECO-16-011108 | 26JUL2016 | PP  | SH   |
|     |      | L   | REVISED PER ECO-17-017667 | 05DEC2017 | IT  | SH   |



- PART COMPATABLE WITH XFP MSA. REFER TO THE XFP MSA FOR DIMENSIONS NOT SHOWN ON THIS PRINT.
- HOUSING MATERIAL: HIGH TEMPERATURE LCP, UL 94V-0 COLOR WHITE  
CONTACT MATERIAL: PHOSPHOR BRONZE
- CONTACTS: 0.00076 MIN GOLD IN CONTACT AREA, 0.00013 MIN GOLD ON SOLDER AREA, OVER 0.00127 MIN NICKEL UNDERPLATE ON ENTIRE CONTACT. LUBRICANT ON GOLD PLATE CONTACT AREAS.
- PACKAGED 480 PIECES PER REEL
- GROUND, POWER, AND SIGNAL PAD ARRANGEMENT TO BE DETERMINED BY CUSTOMER
- DATUMS AND BASIC DIMENSIONS TO BE ESTABLISHED BY CUSTOMER
- SOLDER MASK KEEP OUT AREA.
- PULL GROOVES PERMITTED ON THESE SURFACES AT MOLDING ENGINEERING DISCRETION
- THE WIDTH OF TAPE REEL IS 24.00MM.
- THE WIDTH OF TAPE REEL IS 32.00MM



DETAIL J  
SCALE 25:1

|   |           |             |
|---|-----------|-------------|
| 8 | YES       | 1367500-3   |
| 9 | YES       | 1367500-2   |
| 9 | NO        | 1367500-1   |
|   | DATE CODE | PART NUMBER |

|   |  |   |  |   |  |  |  |
|---|--|---|--|---|--|--|--|
| DIMENSIONS: mm<br>0 PLC ±<br>1 PLC ±0.10<br>2 PLC ±<br>3 PLC ±<br>4 PLC ±<br>ANGLES ±<br>FINISH |  | TOLERANCES UNLESS OTHERWISE SPECIFIED:<br>0 PLC ±<br>1 PLC ±0.10<br>2 PLC ±<br>3 PLC ±<br>4 PLC ±<br>ANGLES ±<br>FINISH |  | DMN P. KERLIN 17JAN03<br>CHK J. KOPPENHEFFER 06OCT03<br>APVD M. WALMSLEY 06OCT03<br>PRODUCT SPEC 108-1949<br>APPLICATION SPEC 114-13017<br>WEIGHT<br>CUSTOMER DRAWING |  | Tyco Electronics Corporation<br>Shanghai, P.R. China, 200233<br>NAME PT CONNECTOR ASSEMBLY, ENHANCED PERFORMANCE, 30 POSITION XFP, RTANG, 0.8MM PITCH<br>SIZE CAGE CODE DRAWING NO RESTRICTED TO<br>A1100779C=1367500<br>SCALE 10:1 SHEET 1 OF 3 REV L |  |
|---|--|---|--|---|--|--|--|



