

MC68HC908LB8

Data Sheet

**M68HC08
Microcontrollers**

MC68HC908LB8
Rev. 1
8/2005

freescale.com



MC68HC908LB8

Data Sheet

To provide the most up-to-date information, the revision of our documents on the World Wide Web will be the most current. Your printed copy may be an earlier revision. To verify you have the latest information available, refer to:

<http://www.freescale.com>

The following revision history table summarizes changes contained in this document. For your convenience, the page number designators have been linked to the appropriate location.

Revision History

Date	Revision Level	Description	Page Number(s)
1/2005	0	First release	N/A
8/2005	1	Section 4.7 Application Information added. Minor changes to the second and third paragraphs in the note in Section 10.4.9 Deadtime Insertion .	56 101



List of Sections

Chapter 1	General Description	17
Chapter 2	Memory	25
Chapter 3	Analog-to-Digital Converter (ADC)	45
Chapter 4	Op Amp/Comparator Module	53
Chapter 5	Configuration Register (CONFIG)	59
Chapter 6	Computer Operating Properly (COP) Module	63
Chapter 7	Central Processor Unit (CPU)	67
Chapter 8	External Interrupt (IRQ)	81
Chapter 9	Keyboard Interrupt Module (KBI)	85
Chapter 10	High Resolution PWM (HRP)	91
Chapter 11	Low-Power Modes	113
Chapter 12	Low-Voltage Inhibit (LVI)	119
Chapter 13	Oscillator Module (OSC)	123
Chapter 14	Input/Output (I/O) Ports	133
Chapter 15	Pulse Width Modulator with Fault Input (PWM)	141
Chapter 16	Resets and Interrupts	163
Chapter 17	System Integration Module (SIM)	171
Chapter 18	Timer Interface Module (TIM)	187
Chapter 19	Development Support	203
Chapter 20	Electrical Specifications	221
Chapter 21	Ordering Information and Mechanical Specifications	231



Table of Contents

Chapter 1 General Description

1.1	Introduction	17
1.2	Features	17
1.2.1	Standard Features of the MC68HC908LB8	17
1.2.2	Features of the CPU08	19
1.3	MCU Block Diagram	19
1.4	Pin Assignments	20
1.5	Pin Functions	21
1.6	Pin Function Priority	22
1.7	System Clock Distribution	24

Chapter 2 Memory

2.1	Introduction	25
2.2	Unimplemented Memory Locations	25
2.3	Reserved Memory Locations	25
2.4	Register Section	25
2.5	Random-Access Memory (RAM)	35
2.6	FLASH Memory (FLASH)	36
2.6.1	FLASH Control Register	37
2.6.2	FLASH Page Erase Operation	37
2.6.3	FLASH Mass Erase Operation	38
2.6.4	FLASH Program/Read Operation	39
2.6.5	FLASH Block Protection	40
2.6.6	FLASH Block Protect Register	42
2.6.7	Wait Mode	43
2.6.8	Stop Mode	43

Chapter 3 Analog-to-Digital Converter (ADC)

3.1	Introduction	45
3.2	Features	46
3.3	Functional Description	46
3.3.1	ADC Port I/O Pins	46
3.3.2	Voltage Conversion	47
3.3.3	Conversion Time	47
3.3.4	Conversion	47
3.3.5	Accuracy and Precision	47
3.4	Monotonicity	47

3.5	Interrupts	47
3.6	Low-Power Modes	48
3.6.1	Wait Mode	48
3.6.2	Stop Mode	48
3.7	I/O Signals	48
3.8	I/O Registers	48
3.8.1	ADC Status and Control Register	48
3.8.2	ADC Data Register	50
3.8.3	ADC Clock Register	50

Chapter 4 Op Amp/Comparator Module

4.1	Introduction	53
4.2	Features	53
4.3	Pin Name Conventions	53
4.4	Functional Description	54
4.5	Low Power Modes	55
4.5.1	Wait Mode	55
4.5.2	Stop Mode	55
4.6	Op Amp/Comparator Control Register	55
4.7	Application Information	56

Chapter 5 Configuration Register (CONFIG)

5.1	Introduction	59
5.2	Functional Description	59

Chapter 6 Computer Operating Properly (COP) Module

6.1	Introduction	63
6.2	Functional Description	63
6.3	I/O Signals	64
6.3.1	BUSCLKX4	64
6.3.2	COPCTL Write	64
6.3.3	Power-On Reset	64
6.3.4	Internal Reset	64
6.3.5	Reset Vector Fetch	64
6.3.6	COPD (COP Disable)	65
6.3.7	COPRS (COP Rate Select)	65
6.4	COP Control Register	65
6.5	Interrupts	65
6.6	Monitor Mode	65
6.7	Low-Power Modes	65
6.7.1	Wait Mode	65
6.7.2	Stop Mode	65

Chapter 7 Central Processor Unit (CPU)

7.1	Introduction	67
7.2	Features	67
7.3	CPU Registers	67
7.3.1	Accumulator	68
7.3.2	Index Register	68
7.3.3	Stack Pointer	69
7.3.4	Program Counter	69
7.3.5	Condition Code Register	69
7.4	Arithmetic/Logic Unit (ALU)	71
7.5	Low-Power Modes	71
7.5.1	Wait Mode	71
7.5.2	Stop Mode	71
7.6	CPU During Break Interrupts	71
7.7	Instruction Set Summary	72
7.8	Opcode Map	78

Chapter 8 External Interrupt (IRQ)

8.1	Introduction	81
8.2	Features	81
8.3	Functional Description	81
8.4	$\overline{\text{IRQ}}$ Pin	82
8.5	IRQ Module During Break Interrupts	83
8.6	IRQ Status and Control Register	83

Chapter 9 Keyboard Interrupt Module (KBI)

9.1	Introduction	85
9.2	Features	86
9.3	Functional Description	87
9.4	Keyboard Initialization	88
9.5	Low-Power Modes	88
9.5.1	Wait Mode	88
9.5.2	Stop Mode	88
9.6	Keyboard Module During Break Interrupts	88
9.7	I/O Registers	89
9.7.1	Keyboard Status and Control Register	89
9.7.2	Keyboard Interrupt Enable Register	89

Chapter 10 High Resolution PWM (HRP)

10.1	Introduction	91
10.2	Features	91

10.3	Pin Name Conventions	91
10.4	Functional Description	93
10.4.1	The Principle of Frequency Dithering	94
10.4.2	Frequency Dithering on the HRP	95
10.4.3	Duty Cycle Dithering	96
10.4.4	Frequency Generation	96
10.4.5	Variable Frequency Mode (HRPMODE = 0)	99
10.4.6	Variable Duty Cycle Mode (HRPMODE = 1)	99
10.4.7	Dithering Controller	100
10.4.8	Dithering Controller Timebase	101
10.4.9	Deadtime Insertion	101
10.5	Interrupts	104
10.6	Low-Power Modes	104
10.6.1	Wait Mode	104
10.6.2	Stop Mode	104
10.7	HRP During Break Interrupts	104
10.7.1	Input/Output Signals	104
10.8	HRP Registers	105
10.8.1	HRP Control Register	105
10.8.2	HRP Duty Cycle Registers	106
10.8.3	HRP Period Registers	107
10.8.4	HRP Deadtime Register	108
10.8.5	Frequency Dithering HRP Timebase Registers	108
10.8.6	Frequency Dithering Control Register	109
10.9	HRP Programming Examples	110

Chapter 11 Low-Power Modes

11.1	Introduction	113
11.1.1	Wait Mode	113
11.1.2	Stop Mode	113
11.2	Analog-to-Digital Converter (ADC)	113
11.2.1	Wait Mode	113
11.2.2	Stop Mode	113
11.3	Break Module (BRK)	113
11.3.1	Wait Mode	113
11.3.2	Stop Mode	114
11.4	Central Processor Unit (CPU)	114
11.4.1	Wait Mode	114
11.4.2	Stop Mode	114
11.5	Computer Operating Properly Module (COP)	114
11.5.1	Wait Mode	114
11.5.2	Stop Mode	114
11.6	External Interrupt Module (IRQ)	114
11.6.1	Wait Mode	114
11.6.2	Stop Mode	114
11.7	Keyboard Interrupt Module (KBI)	115

11.7.1	Wait Mode	115
11.7.2	Stop Mode	115
11.8	High Resolution PWM (HRP)	115
11.8.1	Wait Mode	115
11.8.2	Stop Mode	115
11.9	Low-Voltage Inhibit Module (LVI)	115
11.9.1	Wait Mode	115
11.9.2	Stop Mode	115
11.10	Op Amp/Comparator	116
11.10.1	Wait Mode	116
11.10.2	Stop Mode	116
11.11	Oscillator Module (OSC)	116
11.11.1	Wait Mode	116
11.11.2	Stop Mode	116
11.12	Pulse-Width Modulator Module (PWM)	116
11.12.1	Wait Mode	116
11.12.2	Stop Mode	116
11.13	Timer Interface Module (TIM)	117
11.13.1	Wait Mode	117
11.13.2	Stop Mode	117
11.14	Exiting Wait Mode	117
11.15	Exiting Stop Mode	118

Chapter 12 Low-Voltage Inhibit (LVI)

12.1	Introduction	119
12.2	Features	119
12.3	Functional Description	119
12.3.1	Polled LVI Operation	120
12.3.2	Forced Reset Operation	120
12.3.3	Voltage Hysteresis Protection	120
12.4	LVI Status Register	121
12.5	LVI Interrupts	121
12.6	Low-Power Modes	121
12.6.1	Wait Mode	121
12.6.2	Stop Mode	121

Chapter 13 Oscillator Module (OSC)

13.1	Introduction	123
13.2	Features	123
13.3	Functional Description	123
13.3.1	Internal Oscillator	124
13.3.1.1	Internal Oscillator Trimming	125
13.3.1.2	Internal to External Clock Switching	125
13.3.2	External Oscillator	125

13.3.3	XTAL Oscillator	126
13.3.4	RC Oscillator	126
13.4	Oscillator Module Signals	128
13.4.1	Crystal Amplifier Input Pin (OSC1)	128
13.4.2	Crystal Amplifier Output Pin (OSC2/PTC1/BUSCLKX4)	128
13.4.3	Oscillator Enable Signal (SIMOSCEN)	128
13.4.4	XTAL Oscillator Clock (XTALCLK)	128
13.4.5	RC Oscillator Clock (RCCLK)	128
13.4.6	Internal Oscillator Clock (INTCLK)	129
13.4.7	Oscillator Out 2 (BUSCLKX4)	129
13.4.8	Oscillator Out (BUSCLKX2)	129
13.5	Low Power Modes	129
13.5.1	Wait Mode	129
13.5.2	Stop Mode	129
13.6	Oscillator During Break Mode	129
13.7	CONFIG2 Options	129
13.8	Input/Output (I/O) Registers	130
13.8.1	Oscillator Status Register	130
13.8.2	Oscillator Trim Register (OSCTRIM)	131

Chapter 14 Input/Output (I/O) Ports

14.1	Introduction	133
14.2	Port A	134
14.2.1	Port A Data Register	134
14.2.2	Data Direction Register A	134
14.2.3	Port A Input Pullup Enable Register	136
14.3	Port B	136
14.3.1	Port B Data Register	136
14.3.2	Data Direction Register B	137
14.4	Port C	138
14.4.1	Port C Data Register	138
14.4.2	Data Direction Register C	138
14.4.3	Port C Input Pullup Enable Register	140

Chapter 15 Pulse Width Modulator with Fault Input (PWM)

15.1	Introduction	141
15.2	Features	141
15.3	Timebase	144
15.3.1	Resolution	144
15.3.2	Prescaler	145
15.4	PWM Generators	146
15.4.1	Load Operation	146
15.4.2	PWM Data Overflow and Underflow Conditions	148
15.4.3	Output Polarity	149
15.5	Fault Protection	149

15.5.1	Fault Condition Input Pin	149
15.5.1.1	Automatic Mode	150
15.5.1.2	Manual Mode	151
15.5.2	Software Output Disable	151
15.6	Initialization and the PWMEN Bit	152
15.7	PWM Operation in Low-Power Modes	152
15.7.1	Wait Mode	152
15.7.2	Stop Mode	153
15.8	Control Logic Block	153
15.8.1	PWM Counter Registers	153
15.8.2	PWM Counter Modulo Registers	153
15.8.3	PWMx Value Registers	154
15.8.4	PWM Control Register 1	155
15.8.5	PWM Control Register 2	156
15.8.6	PWM Disable Mapping Write-Once Register	158
15.8.7	Fault Control Register	159
15.8.8	Fault Status Register	159
15.8.9	Fault Control Register 2	160
15.9	PWM Glossary	160

Chapter 16 Resets and Interrupts

16.1	Introduction	163
16.2	Resets	163
16.2.1	Effects	163
16.2.2	External Reset	163
16.2.3	Internal Reset	163
16.2.3.1	Power-On Reset (POR)	163
16.2.3.2	Computer Operating Properly (COP) Reset	164
16.2.3.3	Low-Voltage Inhibit (LVI) Reset	164
16.2.3.4	Illegal Opcode Reset	164
16.2.3.5	Illegal Address Reset	164
16.2.4	System Integration Module (SIM) Reset Status Register	165
16.3	Interrupts	166
16.3.1	Effects	166
16.3.2	Sources	167
16.3.2.1	Software Interrupt (SWI) Instruction	169
16.3.2.2	Break Interrupt	170
16.3.2.3	IRQ Pin	170
16.3.2.4	Timer Interface Module (TIM)	170
16.3.2.5	KBD0–KBD6 Pins	170
16.3.2.6	Analog-to-Digital Converter (ADC)	170
16.3.2.7	Pulse-Width Modulator with Fault Input (PWM)	170
16.3.2.8	High Resolution PWM (HRP)	170

Chapter 17

System Integration Module (SIM)

17.1	Introduction	171
17.2	SIM Bus Clock Control and Generation	173
17.2.1	Bus Timing	173
17.2.2	Clock Start-Up from POR	173
17.2.3	Clocks in Stop Mode and Wait Mode	173
17.3	Reset and System Initialization	174
17.3.1	External Pin Reset	174
17.3.2	Active Resets from Internal Sources	174
17.3.2.1	Power-On Reset	175
17.3.2.2	Computer Operating Properly (COP) Reset	176
17.3.2.3	Illegal Opcode Reset	176
17.3.2.4	Illegal Address Reset	176
17.3.2.5	Low-Voltage Inhibit (LVI) Reset	176
17.3.2.6	Monitor Mode Entry Module Reset (MODRST)	177
17.4	SIM Counter	177
17.4.1	SIM Counter During Power-On Reset	177
17.4.2	SIM Counter During Stop Mode Recovery	177
17.4.3	SIM Counter and Reset States	177
17.5	Exception Control	177
17.5.1	Interrupts	177
17.5.1.1	Hardware Interrupts	178
17.5.1.2	SWI Instruction	180
17.5.2	Reset	180
17.5.3	Break Interrupts	180
17.5.4	Status Flag Protection in Break Mode	181
17.6	Low-Power Modes	181
17.6.1	Wait Mode	181
17.6.2	Stop Mode	182
17.7	SIM Registers	183
17.7.1	Break Status Register	183
17.7.2	SIM Reset Status Register	184
17.7.3	Break Flag Control Register	185

Chapter 18

Timer Interface Module (TIM)

18.1	Introduction	187
18.2	Features	188
18.3	Functional Description	188
18.3.1	TIM Counter Prescaler	190
18.3.2	Input Capture	190
18.3.3	Output Compare	190
18.3.3.1	Unbuffered Output Compare	190
18.3.3.2	Buffered Output Compare	191
18.3.4	Pulse Width Modulation (PWM)	191
18.3.4.1	Unbuffered PWM Signal Generation	192

18.3.4.2	Buffered PWM Signal Generation	192
18.3.4.3	PWM Initialization	193
18.4	Interrupts	193
18.5	Low-Power Modes	194
18.5.1	Wait Mode	194
18.5.2	Stop Mode	194
18.6	TIM During Break Interrupts	194
18.7	I/O Signals	194
18.8	I/O Registers	195
18.8.1	TIM Status and Control Register	195
18.8.2	TIM Counter Registers	196
18.8.3	TIM Counter Modulo Registers	197
18.8.4	TIM Channel Status and Control Registers	197
18.8.5	TIM Channel Registers	201

Chapter 19 Development Support

19.1	Introduction	203
19.2	Break Module (BRK)	203
19.2.1	Functional Description	203
19.2.1.1	Flag Protection During Break Interrupts	204
19.2.1.2	CPU During Break Interrupts	205
19.2.1.3	TIM During Break Interrupts	205
19.2.1.4	COP During Break Interrupts	205
19.2.2	Break Module Registers	205
19.2.2.1	Break Status and Control Register	205
19.2.2.2	Break Address Registers	206
19.2.2.3	Break Auxiliary Register	206
19.2.2.4	Break Status Register	206
19.2.2.5	Break Flag Control Register	207
19.2.3	Low-Power Modes	207
19.3	Monitor Module (MON)	208
19.3.1	Functional Description	208
19.3.1.1	Normal Monitor Mode	214
19.3.1.2	Forced Monitor Mode	214
19.3.1.3	Monitor Vectors	214
19.3.1.4	Data Format	215
19.3.1.5	Break Signal	215
19.3.1.6	Baud Rate	215
19.3.1.7	Commands	215
19.3.2	Security	219

Chapter 20 Electrical Specifications

20.1	Introduction	221
20.2	Absolute Maximum Ratings	221
20.3	Functional Operating Range	222

20.4	Thermal Characteristics	222
20.5	5.0-Volt Electrical Characteristics	222
20.6	5.0-Volt Control Timing	223
20.7	Oscillator Characteristics	224
20.8	5.0-Volt ADC Characteristics	225
20.9	Op Amp Parameters	226
20.10	Comparator Parameters	227
20.11	Timer Interface Module Characteristics	227
20.12	Memory Characteristics	228

Chapter 21

Ordering Information and Mechanical Specifications

21.1	Introduction	231
21.2	MC Order Numbers	231
21.3	20-Pin Small Outline Integrated Circuit (SOIC) Package — Case #751D	232
21.4	20-Pin Plastic Dual In-Line Package (PDIP) — Case #738	232

Chapter 1

General Description

1.1 Introduction

The MC68HC908LB8 is a member of the low-cost, high-performance M68HC08 Family of 8-bit microcontroller units (MCUs). All MCUs in the family use the enhanced M68HC08 central processor unit (CPU08) and are available with a variety of modules, memory sizes, memory types, and package types. The MC68HC908LB8 has peripherals dedicated to high resolution PWM and power factor correction (PFC).

1.2 Features

For convenience, features have been organized to reflect:

- Standard features of the MC68HC908LB8
- Features of the CPU08

1.2.1 Standard Features of the MC68HC908LB8

Features of the MC68HC908LB8 include:

- 8-MHz internal bus frequency
- Trimmable internal oscillator:
 - 4.0 MHz internal bus operation
 - 8-bit trim capability
 - 25% untrimmed
 - 5% trimmed
- 8 Kbytes of 10 K write/erase cycle typical on-chip in application programmable FLASH memory with security option⁽¹⁾
- 128 bytes of on-chip random-access memory (RAM)
- Dual channel high resolution PWM with dead time insertion and shutdown input. The outputs use frequency dithering to achieve a 4 ns output resolution.
- Dual channel pulse-width modulator (PWM) module to provide power factor correction capability
- Seven channel, 8-bit successive approximation analog-to-digital converter (ADC)
- Op amp/comparator for power factor correction capability or general purpose use
- 7-bit keyboard interrupt
- One 16-bit, 2-channel timer interface module with one output available on port pin (PTA6) for input capture and PWM
- 17 general-purpose input/output (I/O) pins and one input only pin
 - Three shared with high resolution PWM (HRP)
 - Three shared with PWM module

1. No security feature is absolutely secure. However, Freescale Semiconductor's strategy is to make reading or copying the FLASH difficult for unauthorized users.

General Description

- Three shared with op amp/comparator
- Seven shared with ADC module (AD[0:6])
- One shared with timer channel 0
- Two shared with OSC1 and OSC2
- One shared with reset
- Seven shared with keyboard interrupt
- One input-only pin shared with external interrupt (IRQ)
- Available packages:
 - 20-pin small outline integrated chip (SOIC) package
 - 20-pin plastic dual in-line package (PDIP)
- On-chip programming firmware for use with host personal computer which does not require high voltage for entry
- System protection features:
 - Optional computer operating properly (COP) reset
 - Low-voltage reset
 - Illegal opcode detection with reset
 - Illegal address detection with reset
- Low-power design; fully static with stop and wait modes
- Standard low-power modes of operation:
 - Wait mode
 - Stop mode
- Master reset pin and power-on reset (POR)
- 674 bytes of FLASH programming routines read-only memory (ROM)
- Break module (BRK) to allow single breakpoint setting during in-circuit debugging
- Internal pullup on \overline{RST} pin to reduce customer system cost

- Selectable pullups on ports A and C
 - Selection on an individual port bit basis
 - During output mode, pullups are disengaged
- High current 8-mA sink / 10-mA source capability on all port pins

1.2.2 Features of the CPU08

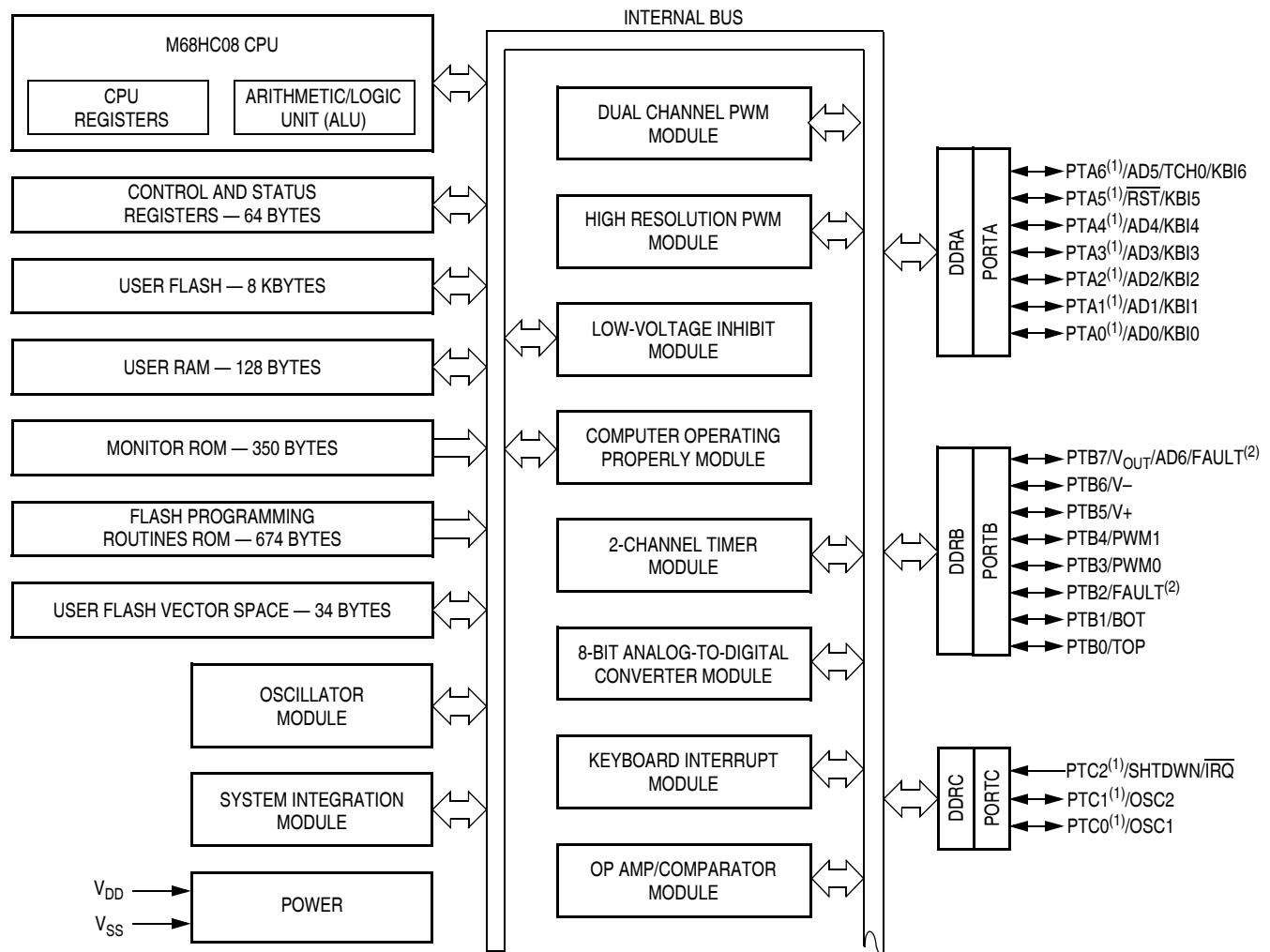
Features of the CPU08 include:

- Enhanced HC05 programming model
- Extensive loop control functions
- 16 addressing modes (eight more than the HC05)
- 16-bit index register and stack pointer
- Memory-to-memory data transfers
- Fast 8×8 multiply instruction
- Fast 16/8 divide instruction
- Binary coded decimal (BCD) instructions
- Optimization for controller applications
- Efficient C language support

1.3 MCU Block Diagram

Figure 1-1 shows the structure of the MC68HC908LB8.

General Description



Notes:

1. Pin contains integrated pullup device.
2. Fault function switchable between pins PTB2 and PTB7.

Figure 1-1. MCU Block Diagram

1.4 Pin Assignments

Figure 1-2 illustrates the pin assignments for the 20-pin SOIC package.

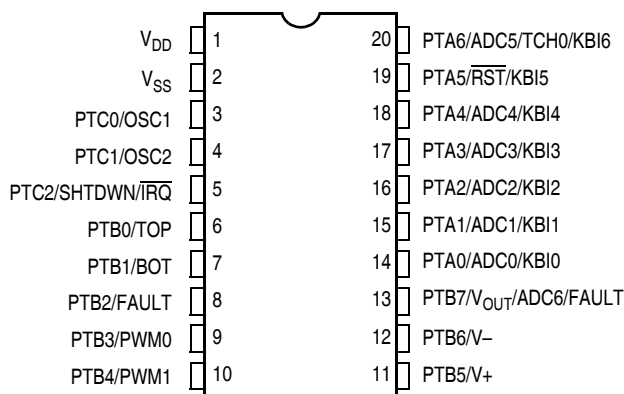


Figure 1-2. 20-Pin SOIC and PDIP Pin Assignments

1.5 Pin Functions

Table 1-1 provides a description of the pin functions.

Table 1-1. Pin Functions

Pin Name	Description	Input/Output
V _{DD}	Power supply	Power
V _{SS}	Power supply ground	Power
PTA0	PTA0 — General purpose I/O port	Input/Output
	KBI0 — Keyboard interrupt input 0	Input
	ADC0 — A/D channel 0 input	Input
PTA1	PTA1 — General purpose I/O port	Input/Output
	KBI1 — Keyboard interrupt input 1	Input
	ADC1 — A/D channel 1 input	Input
PTA2	PTA2 — General purpose I/O port	Input/Output
	KBI2 — Keyboard interrupt input 2	Input
	ADC2 — A/D channel 2 input	Input
PTA3	PTA3 — General purpose I/O port	Input/Output
	KBI3 — Keyboard interrupt input 3	Input
	ADC3 — A/D channel 3 input	Input
PTA4	PTA4 — General purpose I/O port	Input/Output
	KBI4 — Keyboard interrupt input 4	Input
	ADC4 — A/D channel 4 input	Input
PTA5	PTA5 — General purpose I/O port	Input/Output
	$\overline{\text{RST}}$ — Reset input, active low with internal pullup and Schmitt trigger	Input
	KBI5 — Keyboard interrupt input 5	Input

Table 1-1. Pin Functions (Continued)

Pin Name	Description	Input/Output
PTA6	PTA6 — General purpose I/O port	Input/Output
	KBI6 — Keyboard interrupt input 6	Input
	TCH0 — Timer Channel 0 I/O	Input/Output
	ADC5 — A/D channel 5 input	Input
PTB0	PTB0 — General purpose I/O port	Input/Output
	TOP — High resolution PWM output	Output
PTB1	PTB1 — General purpose I/O port	Input/Output
	BOT — High resolution PWM output	Output
PTB2	PTB2 — General purpose I/O port	Input/Output
	FAULT — High resolution PWM fault input (switchable between PTB2 and PTB7)	Input
PTB3	PTB3 — General purpose I/O port	Input/Output
	PWM0 — Pulse-width modulator output 0	Output
PTB4	PTB4 — General purpose I/O port	Input/Output
	PWM1 — Pulse-width modulator output 1	Output
PTB5	PTB5 — General purpose I/O port	Input/Output
	V+ — Op amp/comparator input	Input
PTB6	PTB6 — General purpose I/O port	Input/Output
	V- — Op amp/comparator input	Input
PTB7	PTB7 — General purpose I/O port	Input/Output
	V _{OUT} — Op amp/comparator output	Output
	ADC6 — A/D channel 6 input	Input
	FAULT — High resolution PWM fault input (switchable between PTB2 and PTB7)	Input
PTC0	PTC0 — General purpose I/O port	Input/Output
	OSC1 — XTAL, RC, or external oscillator input	Input
PTC1	PTC1 — General purpose I/O port	Input/Output
	OSC2 — XTAL oscillator output (XTAL option only) RC or internal oscillator output (OSC2EN = 1 in PTAPUE register)	Output Output
PTC2	PTC2 — General purpose input port	Input
	SHTDWN — High resolution PWM input	Input
	$\overline{\text{IRQ}}$ — External interrupt with programmable pullup and Schmitt trigger	Input

1.6 Pin Function Priority

Table 1-2 is meant to resolve the priority if multiple functions are enabled on a single pin.

NOTE

Upon reset all pins come up as input ports regardless of the priority table.

Table 1-2. Function Priority in Shared Pins

Pin Name	Highest-to-Lowest Priority Sequence
PTA0	ADC0 → KBI0 → PTA0
PTA1	ADC1 → KBI1 → PTA1
PTA2	ADC2 → KBI2 → PTA2
PTA3	ADC3 → KBI3 → PTA3
PTA4	ADC4 → KBI4 → PTA4
PTA5	$\overline{\text{RST}}$ → KBI5 → PTA5
PTA6	ADC5 → TCH0 → KBI6 → PTA6
PTB0	TOP → PTB0
PTB1	BOT → PTB1
PTB2	FAULT ⁽¹⁾ → PTB2
PTB3	PWM0 → PTB3
PTB4	PWM1 → PTB4
PTB5	V+ → PTB5
PTB6	V- → PTB6
PTB7	V _{OUT} / ADC6 / FAULT ⁽¹⁾⁽²⁾ → PTB7
PTC0	OSC1 → PTC0
PTC1	OSC2 → PTC1
PTC2	SHTDWN → $\overline{\text{IRQ}}$ → PTC2

NOTES:

1. Fault function is switchable between pins PTB2 and PTB7.
2. V_{OUT}, ADC6, and FAULT functions all share equal priority. All of these functions can be used simultaneously on this pin.

NOTE

Any unused inputs and I/O ports should be tied to an appropriate logic level (either V_{DD} or V_{SS}). Although the I/O ports of the MC68HC908LB8 do not require termination, termination is recommended to reduce the possibility of static damage.

1.7 System Clock Distribution

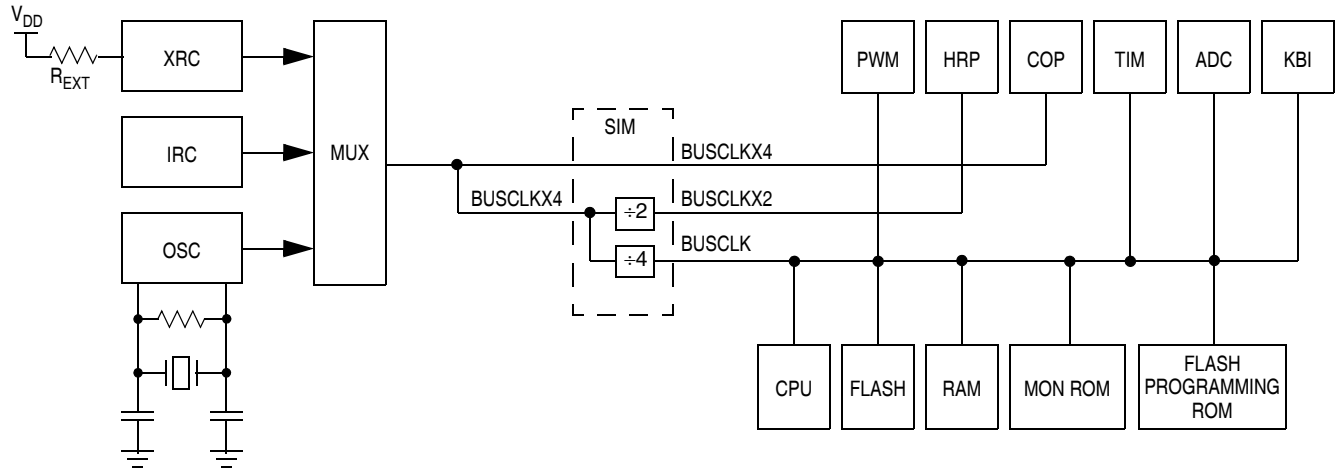


Figure 1-3. System Clock Distribution Diagram

Some of the modules inside the MCU use different clock sources. [Figure 1-3](#) shows a simplified clock connection diagram. The OSC supplies the clock sources:

- BUSCLKX4 is the basic reference clock of the device. It is either:
 - The external crystal oscillator
 - An external clock source
 - An external RC oscillator
 - The internal oscillator

Chapter 2

Memory

2.1 Introduction

The CPU08 can address 64 Kbytes of memory space. The memory map, shown in [Figure 2-1](#), includes:

- System registers
- 8192 bytes of user FLASH memory
- 128 bytes of random-access memory (RAM)
- 674 bytes of FLASH programming routines read-only memory (ROM)
- 34 bytes of user-defined vectors

2.2 Unimplemented Memory Locations

Accessing an unimplemented location can cause an illegal address reset. In the memory map ([Figure 2-1](#)) and in register figures in this document, unimplemented locations are shaded.

2.3 Reserved Memory Locations

Accessing a reserved location can have unpredictable effects on microcontroller (MCU) operation. In the [Figure 2-1](#) and in register figures in this document, reserved locations are marked with the word Reserved or with the letter R.

2.4 Register Section

Most of the control, status, and data registers are in the zero page area of \$0000–\$0058. Additional I/O registers have these addresses:

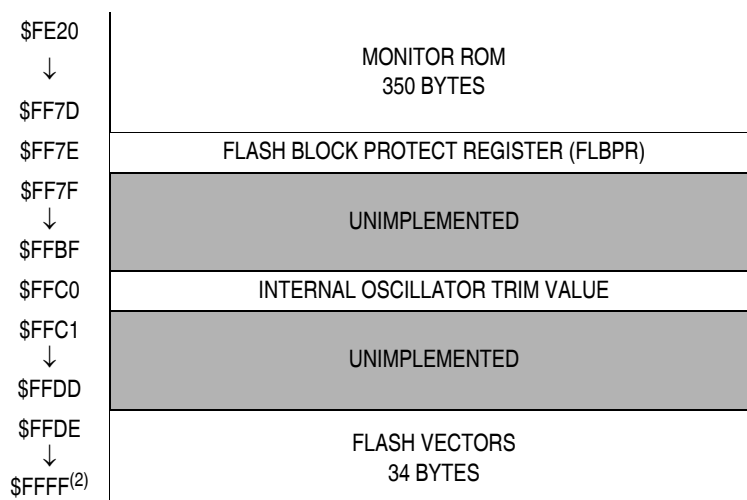
- \$FE00; break status register, BSR
- \$FE01; SIM reset status register, SRSR
- \$FE02; break auxiliary register, BRKAR
- \$FE03; break flag control register, BFCR
- \$FE04; interrupt status register 1, INT1
- \$FE05; interrupt status register 2, INT2
- \$FE06; reserved
- \$FE07; reserved
- \$FE08; FLASH control register, FLCR
- \$FE09; break address register high, BRKH
- \$FE0A; break address register low, BRKL
- \$FE0B; break status and control register, BRKSCR
- \$FE0C; LVI status register, LVISR
- \$FF7E; FLASH block protect register, FLBPR

Memory

Data registers are shown in [Figure 2-2](#). [Table 2-1](#) is a list of vector locations.

\$0000 ↓	I/O REGISTERS
\$0058 ↓	UNIMPLEMENTED ⁽¹⁾
\$007F ↓	RANDOM-ACCESS MEMORY 128 BYTES
\$0080 ↓	UNIMPLEMENTED ⁽¹⁾
\$0100 ↓	FLASH PROGRAMMING ROUTINES ROM 674 BYTES
\$037D ↓	UNIMPLEMENTED ⁽¹⁾
\$037E ↓	FLASH MEMORY 8192 BYTES
\$061F ↓	BREAK STATUS REGISTER (BSR)
\$0620 ↓	SIM RESET STATUS REGISTER (SRSR)
\$DEFF ↓	BREAK AUXILIARY REGISTER (BRKAR)
\$DE00 ↓	BREAK FLAG CONTROL REGISTER (BFCR)
\$FDFE ↓	INTERRUPT STATUS REGISTER 1 (INT1)
\$FDFE ↓	INTERRUPT STATUS REGISTER 2 (INT2)
\$FE00 ↓	RESERVED
\$FE01 ↓	RESERVED
\$FE02 ↓	FLASH CONTROL REGISTER (FLCR)
\$FE03 ↓	BREAK ADDRESS REGISTER HIGH (BRKH)
\$FE04 ↓	BREAK ADDRESS REGISTER LOW (BRKL)
\$FE05 ↓	BREAK STATUS AND CONTROL REGISTER (BRKSCR)
\$FE06 ↓	LVI STATUS REGISTER (LVISR)
\$FE0D ↓	UNIMPLEMENTED
\$FE1F	

Figure 2-1. Memory Map



1. Attempts to execute code from addresses in these ranges will generate an illegal address reset.
2. \$FFF6–\$FFFD used for eight security bytes

Figure 2-1. Memory Map (Continued)

Addr.	Register Name	Bit 7	6	5	4	3	2	1	Bit 0	
\$0000	Port A Data Register (PTA) See page 134.	Read:		PTA6	PTA5	PTA4	PTA3	PTA2	PTA1	PTA0
		Write:								
		Reset:	Unaffected by reset							
\$0001	Port B Data Register (PTB) See page 136.	Read:	PTB7	PTB6	PTB5	PTB4	PTB3	PTB2	PTB1	PTB0
		Write:								
		Reset:	Unaffected by reset							
\$0002	Port C Data Register (PTC) See page 138.	Read:	0	0	0	0	0	PTC2	PTC1	PTC0
		Write:								
		Reset:	0	0	0	0	0	0	0	0
\$0003	Reserved	Reserved								
\$0004	Data Direction Register A (DDRA) See page 135.	Read:	0	DDRA6	DDRA5	DDRA4	DDRA3	DDRA2	DDRA1	DDRA0
		Write:								
		Reset:	0	0	0	0	0	0	0	0
\$0005	Data Direction Register B (DDRB) See page 137.	Read:	DDRB7	DDRB6	DDRB5	DDRB4	DDRB3	DDRB2	DDRB1	DDRB0
		Write:								
		Reset:	0	0	0	0	0	0	0	0


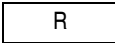
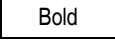
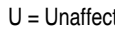
	= Unimplemented		= Reserved
	= Buffered		= Unaffected

Figure 2-2. Control, Status, and Data Registers (Sheet 1 of 8)

Memory

Addr.	Register Name		Bit 7	6	5	4	3	2	1	Bit 0
\$0006	Data Direction Register C (DDRC) See page 139.	Read:	0	0	0	0	0	0	DDRC1	DDRC0
		Write:								
		Reset:	0	0	0	0	0	0	0	0
\$0007 ↓ \$000C	Unimplemented									
\$000D	Port A Input Pullup Enable Register (PTAPUE) See page 136.	Read:		PTA6PUE	PTA5PUE	PTA4PUE	PTA3PUE	PTA2PUE	PTA1PUE	PTA0PUE
		Write:								
		Reset:	0	0	0	0	0	0	0	0
\$000E	Port C Input Pullup Enable Register (PTCPUE) See page 140.	Read:	OSC2EN	0	0	0	0	PTCPUE2	PTCPUE1	PTCPUE0
		Write:								
		Reset:	0	0	0	0	0	0	0	0
\$000F ↓ \$0019	Unimplemented									
\$001A	Keyboard Status and Control Register (INTKBSCR) See page 89.	Read:	0	0	0	0	KEYF	0	IMASKK	MODEK
		Write:						ACKK		
		Reset:	0	0	0	0	0	0	0	0
\$001B	Keyboard Interrupt Enable Register (INTKBIER) See page 90.	Read:		KBIE6	KBIE5	KBIE4	KBIE3	KBIE2	KBIE1	KBIE0
		Write:								
		Reset:	0	0	0	0	0	0	0	0
\$001D	IRQ Status and Control Register (INTSCR) See page 84.	Read:	0	0	0	0	IRQF	0	IMASK	MODE
		Write:						ACK		
		Reset:	0	0	0	0	0	0	0	0
\$001E	Configuration Register 2 (CONFIG2) ⁽¹⁾ See page 60.	Read:	IRQPUD	IRQEN	R	OSCOPT1	OSCOPT0	0	0	RSTEN
		Write:								
		Reset:	0	0	0	0	0	0	0	0
<p>1. One-time writable register after each reset. 2. RSTEN reset to 0 by a power-on reset (POR) only.</p>										
\$001F	Configuration Register 1 (CONFIG1) ⁽¹⁾ See page 61.	Read:	COPRS	LVISTOP	LVIRSTD	LVIPWRD	0	SSREC	STOP	COPD
		Write:								
		Reset:	0	0	0	0	0	0	0	0
<p>1. One-time writable register after reach reset.</p>										




	= Unimplemented		= Reserved
	= Buffered	U	= Unaffected

Figure 2-2. Control, Status, and Data Registers (Sheet 2 of 8)

Addr.	Register Name		Bit 7	6	5	4	3	2	1	Bit 0
\$0020	Timer Status and Control Register (TSC) See page 195.	Read:	TOF	TOIE	TSTOP	0	0	PS2	PS1	PS0
		Write:	0			TRST				
		Reset:	0	0	1	0	0	0	0	0
\$0021	Timer Counter Register High (TCNTH) See page 196.	Read:	Bit 15	14	13	12	11	10	9	Bit 8
		Write:								
		Reset:	0	0	0	0	0	0	0	0
\$0022	Timer Counter Register Low (TCNTL) See page 196.	Read:	Bit 7	6	5	4	3	2	1	Bit 0
		Write:								
		Reset:	0	0	0	0	0	0	0	0
\$0023	Timer Counter Modulo Register High (TMODH) See page 197.	Read:	Bit 15	14	13	12	11	10	9	Bit 8
		Write:								
		Reset:	1	1	1	1	1	1	1	1
\$0024	Timer Counter Modulo Register Low (TMODL) See page 197.	Read:	Bit 7	6	5	4	3	2	1	Bit 0
		Write:								
		Reset:	1	1	1	1	1	1	1	1
\$0025	Timer Channel 0 Status and Control Register (TSC0) See page 198.	Read:	CH0F	CH0IE	MS0B	MS0A	ELS0B	ELS0A	TOV0	CH0MAX
		Write:	0							
		Reset:	0	0	0	0	0	0	0	0
\$0026	Timer Channel 0 Register High (TCH0H) See page 201.	Read:	Bit 15	14	13	12	11	10	9	Bit 8
		Write:								
		Reset:	Indeterminate after reset							
\$0027	Timer Channel 0 Register Low (TCH0L) See page 201.	Read:	Bit 7	6	5	4	3	2	1	Bit 0
		Write:								
		Reset:	Indeterminate after reset							
\$0028	Timer Channel 1 Status and Control Register (TSC1) See page 198.	Read:	CH1F	CH1IE	0	MS1A	ELS1B	ELS1A	TOV1	CH1MAX
		Write:	0							
		Reset:	0	0	0	0	0	0	0	0
\$0029	Timer Channel 1 Register High (TCH1H) See page 201.	Read:	Bit 15	14	13	12	11	10	9	Bit 8
		Write:								
		Reset:	Indeterminate after reset							
\$002A	Timer Channel 1 Register Low (TCH1L) See page 201.	Read:	Bit 7	6	5	4	3	2	1	Bit 0
		Write:								
		Reset:	Indeterminate after reset							
\$002B ↓ \$0029	Unimplemented									

= Unimplemented R = Reserved
 = Buffered U = Unaffected

Figure 2-2. Control, Status, and Data Registers (Sheet 3 of 8)

Memory

Addr.	Register Name	Bit 7	6	5	4	3	2	1	Bit 0	
\$0030 ↓ \$0033	Reserved	Reserved								
\$0034 ↓ \$0035	Unimplemented	Unimplemented								
\$0036	Oscillator Status Register (OSCSTAT) See page 130.	Read: R	R	R	R	R	R	ECGON	EGGST	
		Write:								
		Reset:	0	0	0	0	0	0	0	
\$0037	Unimplemented	Unimplemented								
\$0038	Oscillator Trim Register (OSCTRIM) See page 131.	Read: TRIM7	TRIM6	TRIM5	TRIM4	TRIM3	TRIM2	TRIM1	TRIM0	
		Write:								
		Reset:	1	0	0	0	0	0	0	
\$0039	Op Amp/Comparator Control Register (OACCR) See page 55.	Read: OACM							OACE	
		Write:								
		Reset:	0	U	U	U	U	U	0	
\$003A ↓ \$003B	Unimplemented	Unimplemented								
\$003C	ADC Status and Control Register (ADSCR) See page 48.	Read: COCO	AIEN	ADCO	ADCH4	ADCH3	ADCH2	ADCH1	ADCH0	
		Write:								
		Reset:	0	0	0	1	1	1	1	
\$003D	Unimplemented	Unimplemented								
\$003E	ADC Data Register (ADR) See page 50.	Read: AD7	AD6	AD5	AD4	A3	AD2	AD1	AD0	
		Write:								
		Reset:	Unaffected by reset							
\$003F	ADC Clock Register (ADCLK) See page 50.	Read: ADIV2	ADIV1	ADIV0	0	0	0	0	0	
		Write:								
		Reset:	0	0	0	0	0	0	0	


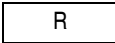

	= Unimplemented		= Reserved
	= Buffered	U	= Unaffected

Figure 2-2. Control, Status, and Data Registers (Sheet 4 of 8)

Addr.	Register Name	Bit 7	6	5	4	3	2	1	Bit 0	
\$0040	PWM Control Register 1 (PCTL1) See page 155.	Read:	0	FPOS	PWMINT	PWMF	0	0	LDOK	PWMEN
		Write:								
		Reset:	0	0	0	0	0	0	0	0
\$0041	PWM Control Register 2 (PCTL2) See page 157.	Read:	LDFQ1	LDFQ0	DIS1	DIS0	POL1	POL0	PRSC1	PRSC0
		Write:								
		Reset:	0	0	0	0	1	1	0	0
\$0042	Fault Control Register (FCR) See page 159.	Read:	0	0	0	0	0	0	FINT	FMODE
		Write:								
		Reset:	0	0	0	0	0	0	0	0
\$0043	Fault Status Register (FSR) See page 159.	Read:	0	0	0	0	0	0	FPIN	FFLAG
		Write:								
		Reset:	U	0	U	0	U	0	U	0
\$0044	Fault Control Register 2 (FCR2) See page 160.	Read:	0	0	0	0	0	0	0	0
		Write:								FTACK
		Reset:	0	0	0	0	0	0	0	0
\$0045	PWM Counter Register High (PCNTH) See page 153.	Read:	0	0	0	0	Bit 11	Bit 10	Bit 9	Bit 8
		Write:								
		Reset:	0	0	0	0	0	0	0	0
\$0046	PWM Counter Register Low (PCNTL) See page 153.	Read:	Bit 7	Bit 6	Bit 5	Bit 4	Bit 3	Bit 2	Bit 1	Bit 0
		Write:								
		Reset:	0	0	0	0	0	0	0	0
\$0047	PWM Counter Modulo Register High (PMDH) See page 154.	Read:	0	0	0	0	Bit 11	Bit 10	Bit 9	Bit 8
		Write:								
		Reset:	0	0	0	0	Indeterminate after reset			
\$0048	PWM Counter Modulo Register Low (PMDL) See page 154.	Read:	Bit 7	Bit 6	Bit 5	Bit 4	Bit 3	Bit 2	Bit 1	Bit 0
		Write:								
		Reset:	Indeterminate after reset							
\$0049	PWM 0 Value Register High (PVAL0H) See page 154.	Read:	Bit 15	Bit 14	Bit 13	Bit 12	Bit 11	Bit 10	Bit 9	Bit 8
		Write:								
		Reset:	0	0	0	0	0	0	0	0
\$004A	PWM 0 Value Register Low (PVAL0L) See page 155.	Read:	Bit 7	Bit 6	Bit 5	Bit 4	Bit 3	Bit 2	Bit 1	Bit 0
		Write:								
		Reset:	0	0	0	0	0	0	0	0
\$004B	PWM 1 Value Register High (PVAL1H) See page 154.	Read:	Bit 15	Bit 14	Bit 13	Bit 12	Bit 11	Bit 10	Bit 9	Bit 8
		Write:								
		Reset:	0	0	0	0	0	0	0	0

= Unimplemented R = Reserved
 = Buffered U = Unaffected

Figure 2-2. Control, Status, and Data Registers (Sheet 5 of 8)

Memory

Addr.	Register Name	Bit 7	6	5	4	3	2	1	Bit 0	
\$004C	PWM 1 Value Register Low (PVAL1L) See page 155.	Read:	Bit 7	Bit 6	Bit 5	Bit 4	Bit 3	Bit 2	Bit 1	Bit 0
		Write:								
		Reset:	0	0	0	0	0	0	0	0
\$004D	PWM Disable Mapping Write Once Register (DISMAP) See page 158.	Read:	0	0	0	0	0	MAP1	MAP0	
		Write:								
		Reset:	0	0	0	0	0	0	1	1
\$004E ↓ \$004F	Unimplemented									
\$0050	Reserved	Reserved								
\$0051	HRP Control Register (HRPCTRL) See page 105.	Read:		SHTLVL	HRPOE	SHTIF	SHTIE	SHTEN	HRP-MODE ⁽¹⁾	HRPEN
		Write:								
		Reset:		0	0	0	0	0	0	0
1. When HRPMODE bit = 0, STEP[4:0] are mapped into the HRPPERL register — when HRPMODE = 1, STEP[4:0] are mapped into the HRPDCL register.										
\$0052	HRP Duty Cycle Register High (HRPDCH) See page 107.	Read:	DC10	DC9	DC8	DC7	DC6	DC5	DC4	DC3
		Write:								
		Reset:	0	0	0	0	0	0	0	0
\$0053	HRP Duty Cycle Register Low (HRPDCL) See page 107.	Read:	DC2	DC1	DC0	STEP4	STEP3	STEP3	STEP1	STEP0
		Write:								
		Reset:	0	0	0	0	0	0	0	0
\$0054	HRP Period Register High (HRPPERH) See page 107.	Read:	P10	P9	P8	P7	P6	P5	P4	P3
		Write:								
		Reset:	0	0	0	0	0	0	0	0
\$0055	HRP Period Register Low (HRPPERL) See page 107.	Read:	P2	P1	P0	STEP4	STEP3	STEP2	STEP1	STEP0
		Write:								
		Reset:	0	0	0	0	0	0	0	0
\$0056	HRP Dead Time Register (HRP_DT) See page 108.	Read:	DT7	DT6	DT5	DT4	DT3	DT2	DT1	DT0
		Write:								
		Reset:	0	0	0	0	1	0	0	0
\$0057	HRP Timebase Register High (HRPTBH) See page 108.	Read:	TB15	TB14	TB13	TB12	TB11	TB10	TB9	TB8
		Write:								
		Reset:	0	0	0	0	0	0	0	0

= Unimplemented R = Reserved
 = Buffered U = Unaffected

Figure 2-2. Control, Status, and Data Registers (Sheet 6 of 8)

Addr.	Register Name	Bit 7	6	5	4	3	2	1	Bit 0		
\$0058	HRP Timebase Register Low (HRPTBL) See page 108.	Read:	TB7	TB6	TB5	TB4	TB3	TB2	TB1	TB0	
		Write:									
		Reset:	0	0	0	0	0	0	0	0	
\$0059	Frequency Dithering Control Register (HRPDCR) See page 109.	Read:					CLKSRC	SEL2	SEL1	SEL0	
		Write:									
		Reset:					0	0	0	0	
\$005A ↓ \$005F	Reserved	Reserved									
\$FE00	Break Status Register (BSR) See page 183.	Read:	R	R	R	R	R	R	SBSW	R	
		Write:								(Note)	
		Reset:	0	0	0	0	0	0	0	0	0
Note: Writing a 0 clears SBSW.											
\$FE01	SIM Reset Status Register (SRSR) See page 184.	Read:	POR	PIN	COP	ILOP	ILAD	MODRST	LVI	0	
		Write:									
		POR:	1	0	0	0	0	0	0	0	0
\$FE02	Break Auxiliary Register (BRKAR) See page 206.	Read:	Bit 7	6	5	4	3	2	1	Bit 0	
		Write:									
		Reset:	0	0	0	0	0	0	0	0	0
\$FE03	Break Flag Control Register (BFCR) See page 185.	Read:	BCFE	R	R	R	R	R	R	R	
		Write:									
		Reset:	0	0	0	0	0	0	0	0	0
\$FE04 ↓ \$FE07	Reserved	Reserved									
\$FE08	FLASH Control Register (FLCR) See page 37.	Read:	0	0	0	0	HVEN	MASS	ERASE	PGM	
		Write:									
		Reset:	0	0	0	0	0	0	0	0	
\$FE09	Break Address Register High (BRKH) See page 206.	Read:	Bit 15	14	13	12	11	10	9	Bit 8	
		Write:									
		Reset:	0	0	0	0	0	0	0	0	0
\$FE0A	Break Address Register Low (BRKL) See page 206.	Read:	Bit 7	6	5	4	3	2	1	Bit 0	
		Write:									
		Reset:	0	0	0	0	0	0	0	0	0

= Unimplemented R = Reserved
 = Buffered U = Unaffected


Figure 2-2. Control, Status, and Data Registers (Sheet 7 of 8)

Memory

Addr.	Register Name	Bit 7	6	5	4	3	2	1	Bit 0	
\$FE0B	Break Status and Control Register (BRKSCR) See page 205.	Read:	BRKE	BRKA	0	0	0	0	0	
		Write:								
		Reset:	0	0	0	0	0	0	0	
\$FE0C	LVI Status Register (LVISR) See page 121.	Read:	LVIOUT	0	0	0	0	0	0	
		Write:								
		Reset:	0	0	0	0	0	0	0	
\$FFC0	Internal Oscillator Trim Value	TRIM7	TRIM6	TRIM5	TRIM4	TRIM3	TRIM2	TRIM1	TRIM0	
		Factory programmed FLASH byte								
\$FFC1	Reserved	Reserved								
\$FF7E	FLASH Block Protect Register (FLBPR) ⁽¹⁾ See page 42.	Read:	BPR7	BPR6	BPR5	BPR4	BPR3	BPR2	BPR1	BPR0
		Write:								
		Reset:	Unaffected by reset							
1. Non-volatile FLASH register										
\$FFFF	COP Control Register (COPCTL) See page 65.	Read:	Low byte of reset vector							
		Write:	Writing clears COP counter (any value)							
		Reset:	Unaffected by reset							
			= Unimplemented			R	= Reserved			
		Bold	= Buffered			U = Unaffected				

Figure 2-2. Control, Status, and Data Registers (Sheet 8 of 8)

Table 2-1. Vector Addresses

Vector Priority	Address	Vector
Highest  Lowest	\$FFFF	Reset vector (low)
	\$FFFE	Reset vector (high)
	\$FFFD	SWI vector (low)
	\$FFFC	SWI vector (high)
	\$FFFB	$\overline{\text{IRQ}}$ vector (low)
	\$FFFA	$\overline{\text{IRQ}}$ vector (high)
	\$FFF9 ↓ \$FFF8	Not used
	\$FFF7	TIM Channel 0 vector (low)
	\$FFF6	TIM Channel 0 vector (high)
	\$FFF5	TIM Channel 1 vector (low)
	\$FFF4	TIM Channel 1 vector (high)
	\$FFF3	TIM overflow vector (low)
	\$FFF2	TIM overflow vector (high)
	\$FFF1	FAULT (PWM vector) (low)
	\$FFF0	FAULT (PWM vector) (high)
	\$FFEF	PWMINT (PWM vector) (low)
	\$FFEE	PWMINT (PWM vector) (high)
	\$FFED	SHTDWN (HRP vector) (low)
	\$FFEC	SHTDWN (HRP vector) (high)
	\$FFEB ↓ \$FFE2	Not used
	\$FFE1	Keyboard vector (low)
	\$FFE0	Keyboard vector (high)
	\$FFDF	ADC conversion complete vector (low)
	\$FFDE	ADC conversion complete vector (high)

2.5 Random-Access Memory (RAM)

Addresses \$0080 through \$00FF are RAM locations. The location of the stack RAM is programmable. The 16-bit stack pointer allows the stack to be anywhere in the 64-Kbyte memory space.

NOTE

For correct operation, the stack pointer must point only to RAM locations.

Before processing an interrupt, the CPU uses five bytes of the stack to save the contents of the CPU registers.

NOTE

For M6805 compatibility, the H register is not stacked.

During a subroutine call, the CPU uses two bytes of the stack to store the return address. The stack pointer decrements during pushes and increments during pulls.

NOTE

Be careful when using nested subroutines. The CPU may overwrite data in the RAM during a subroutine or during the interrupt stacking operation.

2.6 FLASH Memory (FLASH)

This section describes the operation of the embedded FLASH memory. This memory can be read, programmed, and erased from a single external supply. The program, erase, and read operations are enabled through the use of an internal charge pump. It is recommended that the user utilize the FLASH programming routines provided in the on-chip ROM, which are described more fully in a separate Freescale Semiconductor application note.

The FLASH memory is an array of 8 Kbytes with an additional 34 bytes of user vectors and one byte of block protection. *An erased bit reads as 1 and a programmed bit reads as a 0.* Memory in the FLASH array is organized into two rows per page basis. For the 8-K word by 8-bit embedded FLASH memory, the page size is 64 bytes per page and the row size is 32 bytes per row. Hence the minimum erase page size is 64 bytes and the minimum program row size is 32 bytes. Program and erase operations are facilitated through control bits in FLASH control register (FLCR). Details for these operations appear later in this section.

The address ranges for the user memory and vectors are:

- \$DE00–\$FDFF; user memory
- \$FE08; FLASH control register
- \$FF7E; FLASH block protect register
- \$FFDE–\$FFFF; these locations are reserved for user-defined interrupt and reset vectors

Programming tools are available from Freescale Semiconductor. Contact your local Freescale Semiconductor representative for more information.

NOTE

A security feature prevents viewing of the FLASH contents.⁽¹⁾

2.6.1 FLASH Control Register

The FLASH control register (FLCR) controls FLASH program and erase operations.

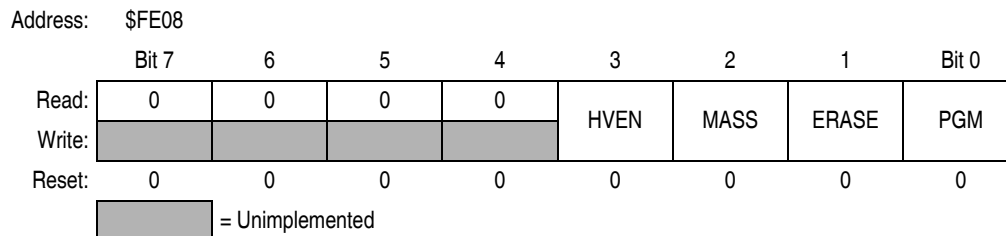


Figure 2-3. FLASH Control Register (FLCR)

HVEN — High-Voltage Enable Bit

This read/write bit enables the charge pump to drive high voltages for program and erase operations in the array. HVEN can only be set if either PGM = 1 or ERASE = 1 and the proper sequence for program or erase is followed.

- 1 = High voltage enabled to array and charge pump on
- 0 = High voltage disabled to array and charge pump off

MASS — Mass Erase Control Bit

Setting this read/write bit configures the 8-Kbyte FLASH array for mass erase operation.

- 1 = MASS erase operation selected
- 0 = PAGE erase operation selected

ERASE — Erase Control Bit

This read/write bit configures the memory for erase operation. ERASE is interlocked with the PGM bit such that both bits cannot be equal to 1 or set to 1 at the same time.

- 1 = Erase operation selected
- 0 = Erase operation unselected

PGM — Program Control Bit

This read/write bit configures the memory for program operation. PGM is interlocked with the ERASE bit such that both bits cannot be equal to 1 or set to 1 at the same time.

- 1 = Program operation selected
- 0 = Program operation unselected

2.6.2 FLASH Page Erase Operation

Use this step-by-step procedure to erase a page (64 bytes) of FLASH memory to read as logic 1. A page consists of 64 consecutive bytes starting from addresses \$XX00, \$XX40, \$XX80, or \$XXC0. The 34-byte user interrupt vectors area also forms a page. Any FLASH memory page can be erased alone, except for the 34-byte interrupt vectors page, which must be mass erased.

1. No security feature is absolutely secure. However, Freescale Semiconductor's strategy is to make reading or copying the FLASH difficult for unauthorized users.

Memory

1. Set the ERASE bit, and clear the MASS bit in the FLASH control register.
2. Read the FLASH block protect register.
3. Write any data to any FLASH location within the address range of the block to be erased.
4. Wait for a time, t_{NVS} (minimum 10 μ s)
5. Set the HVEN bit.
6. Wait for a time, t_{Erase} (minimum 1 ms or 4 ms)
7. Clear the ERASE bit.
8. Wait for a time, t_{NVH} (minimum 5 μ s)
9. Clear the HVEN bit.
10. After a time, t_{RCV} (typical 1 μ s), the memory can be accessed again in read mode.

NOTE

Programming and erasing of FLASH locations cannot be performed by code being executed from FLASH memory. While these operations must be performed in the order shown, other unrelated operations may occur between the steps.

CAUTION

Be aware that erasing the vector page will erase the internal oscillator trim value at \$FFC0.

It is highly recommended that interrupts be disabled during program/erase operations.

In applications that need more than 1000 program/erase cycles, use the 4-ms page erase specification to get improved long-term reliability. Any application can use this 4-ms page erase specification. However, in applications where a FLASH location will be erased and reprogrammed less than 1000 times, and speed is important, use the 1-ms page erase specification to get a shorter cycle time.

2.6.3 FLASH Mass Erase Operation

Use this step-by-step procedure to erase entire FLASH memory to read as logic 1:

1. Set both the ERASE bit and the MASS bit in the FLASH control register.
2. Read from the FLASH block protect register.
3. Write any data to any FLASH address⁽¹⁾ within the FLASH memory address range.
4. Wait for a time, t_{NVS} (minimum 10 μ s)
5. Set the HVEN bit.
6. Wait for a time, t_{MErase} (minimum 4 ms)
7. Clear the ERASE and MASS bits.

NOTE

Mass erase is disabled whenever any block is protected (FLBPR does not equal \$FF).

8. Wait for a time, t_{NVHL} (minimum 100 μ s)

1. When in monitor mode, with security sequence failed (see [19.3.2 Security](#)), write to the FLASH block protect register instead of any FLASH address.

9. Clear the HVEN bit.
10. After time, t_{RCV} (typical 1 μ s), the memory can be accessed in read mode again.

NOTE

Programming and erasing of FLASH locations cannot be performed by code being executed from the FLASH memory. While these operations must be performed in the order as shown, but other unrelated operations may occur between the steps.

CAUTION

A mass erase will erase the internal oscillator trim value at \$FFC0.

2.6.4 FLASH Program/Read Operation

Programming of the FLASH memory is done on a row basis. A row consists of 32 consecutive bytes starting from addresses \$XX00, \$XX20, \$XX40, \$XX60, \$XX80, \$XXA0, \$XXC0, and \$XXE0.

During the programming cycle, make sure that all addresses being written to fit within one of the ranges specified above. Attempts to program addresses in different row ranges in one programming cycle will fail. Use this step-by-step procedure to program a row of FLASH memory (Figure 2-4 is a flowchart representation).

NOTE

In order to avoid program disturbs, the row must be erased before any byte on that row is programmed.

1. Set the PGM bit. This configures the memory for program operation and enables the latching of address and data for programming.
2. Read from the FLASH block protect register.
3. Write any data to any FLASH address within the row address range desired.
4. Wait for a time, t_{NVS} (minimum 10 μ s).
5. Set the HVEN bit.
6. Wait for a time, t_{PGS} (minimum 5 μ s).
7. Write data to the FLASH address to be programmed.
8. Wait for a time, t_{PROG} (minimum 30 μ s).
9. Repeat step 7 and 8 until all the bytes within the row are programmed.
10. Clear the PGM bit.⁽¹⁾
11. Wait for a time, t_{NVH} (minimum 5 μ s).
12. Clear the HVEN bit.
13. After time, t_{RCV} (minimum 1 μ s), the memory can be accessed in read mode again.

NOTE

The COP register at location \$FFFF should not be written between steps 5-12, when the HVEN bit is set. Since this register is located at a valid FLASH address, unpredictable behavior may occur if this location is written while HVEN is set.

This program sequence is repeated throughout the memory until all data is programmed.

1. The time between each FLASH address change, or the time between the last FLASH address programmed to clearing PGM bit, must not exceed the maximum programming time, t_{PROG} maximum.

NOTE

Programming and erasing of FLASH locations cannot be performed by code being executed from the FLASH memory. While these operations must be performed in the order shown, other unrelated operations may occur between the steps. Do not exceed t_{PROG} maximum, see [20.12 Memory Characteristics](#).

It is highly recommended that interrupts be disabled during program/erase operations.

Do not exceed t_{PROG} maximum or t_{HV} maximum. t_{HV} is defined as the cumulative high voltage programming time to the same row before next erase. t_{HV} must satisfy this condition:

$$t_{NVX} = t_{NVH} + t_{PGS} + (t_{PROG} \times 32) \leq t_{HV} \text{ maximum}$$

Refer to [20.12 Memory Characteristics](#).

The time between programming the FLASH address change (step 7 to step 7), or the time between the last FLASH programmed to clearing the PGM bit (step 7 to step 10) must not exceed the maximum programming time, t_{PROG} maximum.

CAUTION

Be cautious when programming the FLASH array to ensure that non-FLASH locations are not used as the address that is written to when selecting either the desired row address range in step 3 of the algorithm or the byte to be programmed in step 7 of the algorithm. This applies particularly to \$FFD4–\$FFDF.

2.6.5 FLASH Block Protection

Due to the ability of the on-board charge pump to erase and program the FLASH memory in the target application, provision is made for protecting a block of memory from unintentional erase or program operations due to system malfunction. This protection is done by using of a FLASH block protect register (FLBPR). The FLBPR determines the range of the FLASH memory which is to be protected. The range of the protected area starts from a location defined by FLBPR and ends at the bottom of the FLASH memory (\$FFFF). When the memory is protected, the HVEN bit cannot be set in either ERASE or PROGRAM operations.

NOTE

In performing a program or erase operation, the FLASH block protect register must be read after setting the PGM or ERASE bit and before asserting the HVEN bit

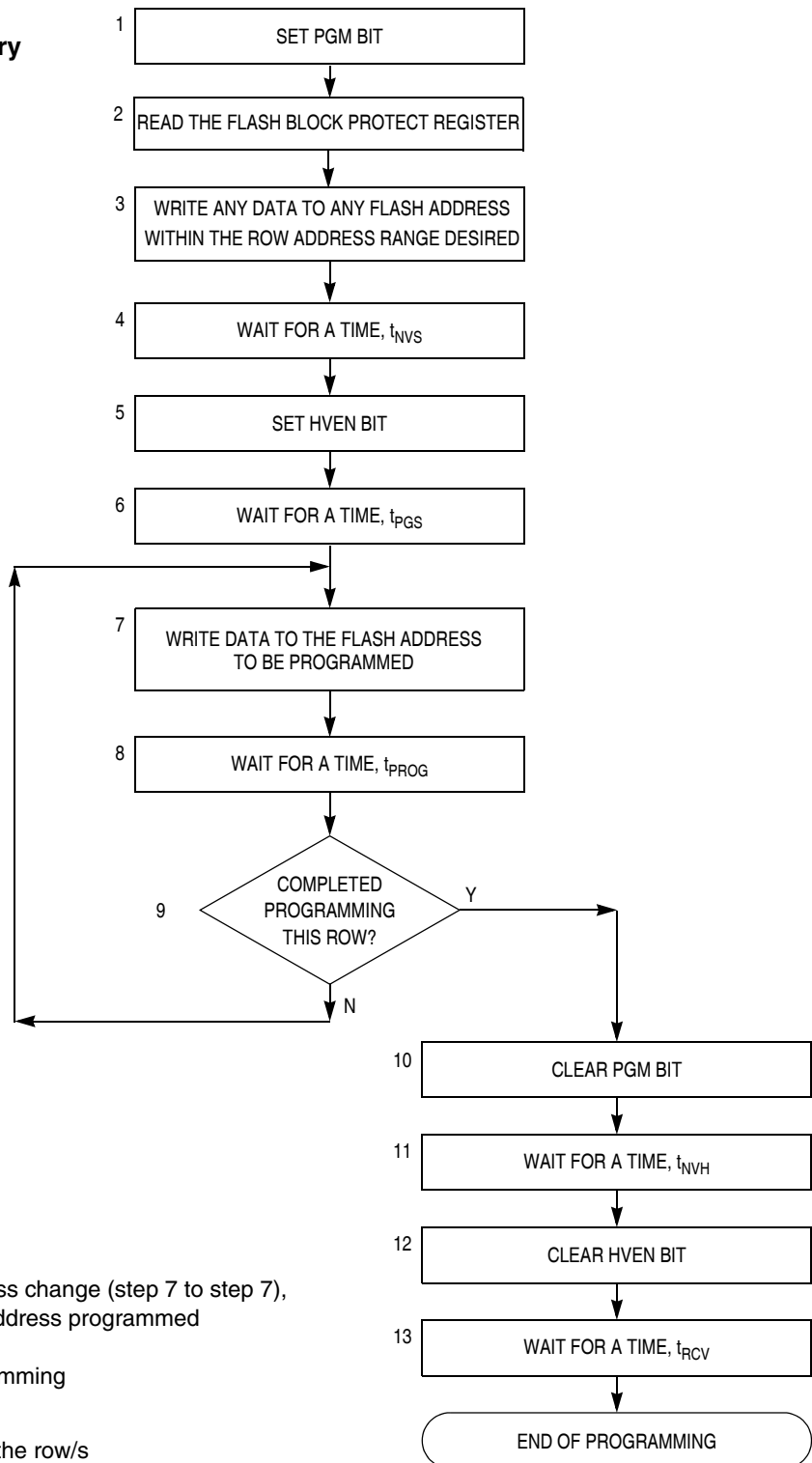
When the FLBPR is program with all 0's, the entire memory is protected from being programmed and erased. When all the bits are erased (all 1's), the entire memory is accessible for program and erase.

When bits within the FLBPR are programmed, they lock a block of memory, address ranges as shown in [2.6.6 FLASH Block Protect Register](#). Once the FLBPR is programmed with a value other than \$FF, any erase or program of the FLBPR or the protected block of FLASH memory is prohibited. The presence of a V_{TST} on the \overline{IRQ} pin will bypass the block protection so that all of the memory included in the block protect register is open for program and erase operations.

NOTE

The FLASH block protect register is not protected with special hardware or software. Therefore, if this page is not protected by FLBPR the register is erased by either a page or mass erase operation.

Algorithm for Programming a Row (32 Bytes) of FLASH Memory



NOTES:

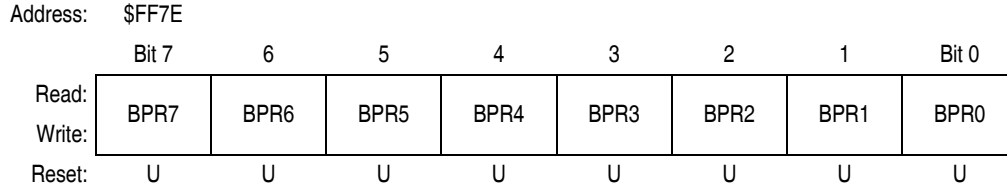
The time between each FLASH address change (step 7 to step 7), or the time between the last FLASH address programmed to clearing PGM bit (step 7 to step 10) must not exceed the maximum programming time, $t_{\text{PROG max}}$.

This row program algorithm assumes the row/s to be programmed are initially erased.

Figure 2-4. FLASH Programming Flowchart

2.6.6 FLASH Block Protect Register

The FLASH block protect register (FLBPR) is implemented as a byte within the FLASH memory, and therefore can only be written during a programming sequence of the FLASH memory. The value in this register determines the starting location of the protected range within the FLASH memory.



U = Unaffected by reset. Initial value from factory is 1.
 Write to this register is by a programming sequence to the FLASH memory.

Figure 2-5. FLASH Block Protect Register (FLBPR)

BPR[7:0] — FLASH Block Protect Bits

These eight bits represent bits [13:6] of a 16-bit memory address. Bit 15 and 14 are 1s and bits [5:0] are 0s.

The resultant 16-bit address is used for specifying the start address of the FLASH memory for block protection. The FLASH is protected from this start address to the end of FLASH memory, at \$FFFF. With this mechanism, the protect start address can be \$XX00, \$XX40, \$XX80, and \$XC0 (64 bytes page boundaries) within the FLASH memory.

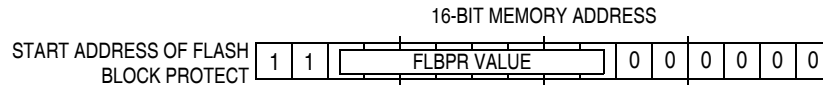


Figure 2-6. FLASH Block Protect Start Address

Table 2-2. Examples of Protect Address Ranges

BPR[7:0]	Addresses of Protect Range
\$00–\$78	The entire FLASH memory is protected.
\$79 (0111 1001)	\$DE40 (1101 1110 0100 0000) — \$FFFF
\$7A (0111 1010)	\$DE80 (1101 1110 1000 0000) — \$FFFF
\$7B (0111 1011)	\$DEC0 (1101 1110 1100 0000) — \$FFFF
\$7C (0111 1100)	\$DF00 (1101 1111 0000 0000) — \$FFFF
	and so on...
\$FC (1111 1100)	\$FF00 (1111 1111 0000 0000) — FFFF
\$FD (1111 1101)	\$FF40 (1111 1111 0100 0000) — \$FFFF FLBPR and vectors are protected
\$FE (1111 1110)	\$FF80 (1111 1111 1000 0000) — FFFF Vectors are protected
\$FF	The entire FLASH memory is not protected.

2.6.7 Wait Mode

Putting the MCU into wait mode while the FLASH is in read mode does not affect the operation of the FLASH memory directly, but there will not be any memory activity since the CPU is inactive.

The WAIT instruction should not be executed while performing a program or erase operation on the FLASH, otherwise the operation will discontinue, and the FLASH will be on standby mode.

2.6.8 Stop Mode

Putting the MCU into stop mode while the FLASH is in read mode does not affect the operation of the FLASH memory directly, but there will not be any memory activity since the CPU is inactive.

The STOP instruction should not be executed while performing a program or erase operation on the FLASH, otherwise the operation will discontinue, and the FLASH will be on standby mode

NOTE

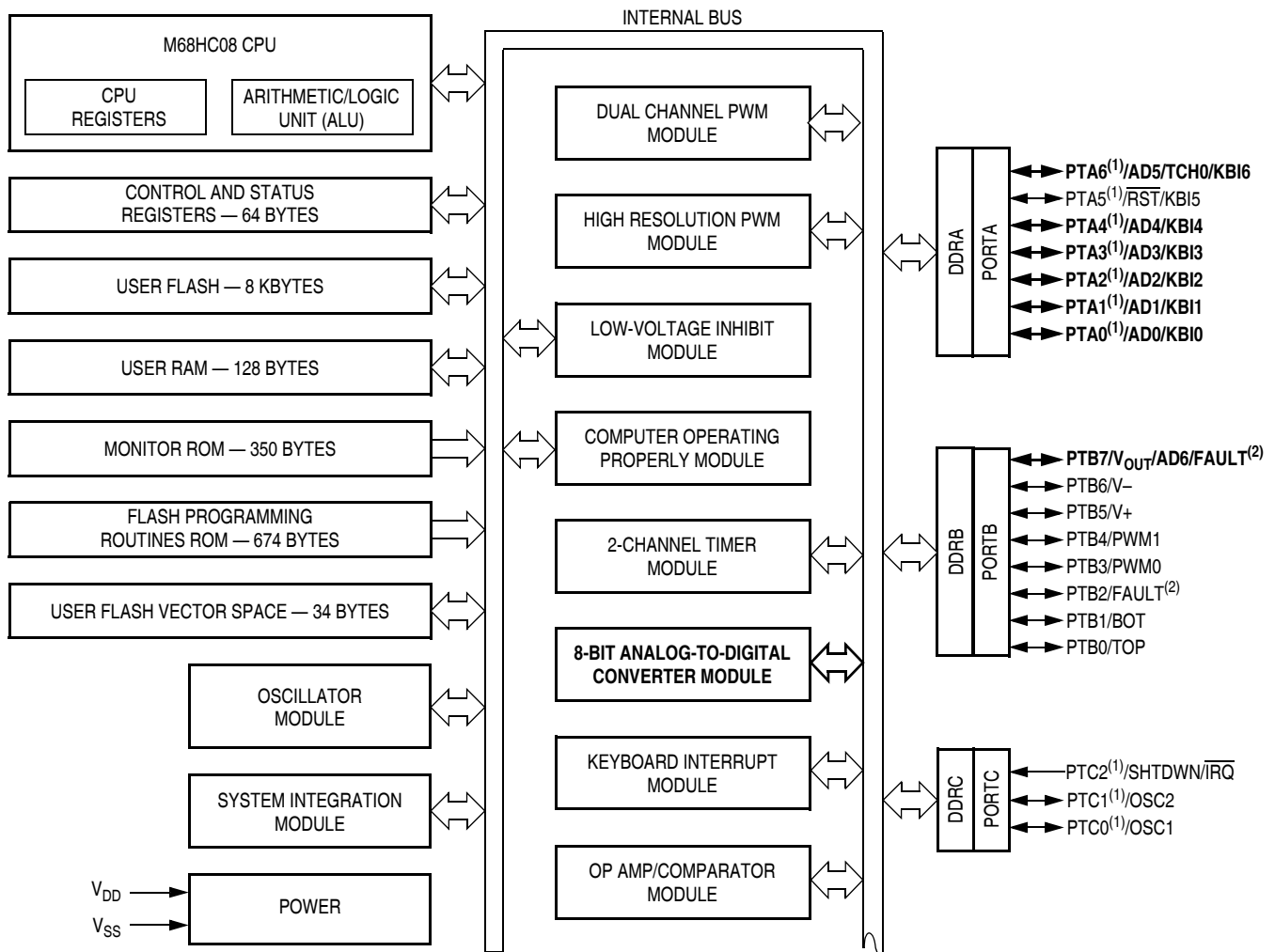
Standby mode is the power saving mode of the FLASH module in which all internal control signals to the FLASH are inactive and the current consumption of the FLASH is at a minimum.

Chapter 3

Analog-to-Digital Converter (ADC)

3.1 Introduction

This section describes the 8-bit analog-to-digital converter (ADC).



Notes:

1. Pin contains integrated pullup device.
2. Fault function switchable between pins PTB2 and PTB7.

Figure 3-1. Block Diagram Highlighting ADC Block and Pins

3.2 Features

Features of the ADC module include:

- 7 channels with multiplexed input
- Linear successive approximation
- 8-bit resolution
- Single or continuous conversion
- Conversion complete flag or conversion complete interrupt
- Selectable ADC clock

3.3 Functional Description

Seven ADC channels are available for sampling external sources at pins PTB7/ADC6, PTA6/ADC5, PTA4/ADC4–PTA0/ADC0. An analog multiplexer allows a single ADC converter to select one of seven ADC channels as ADC voltage in (ADCVIN). ADCVIN is converted by the successive approximation register based counters. When the conversion is complete, ADC places the result in the ADC data register and sets a flag or generates an interrupt.

See [Figure 3-2](#).

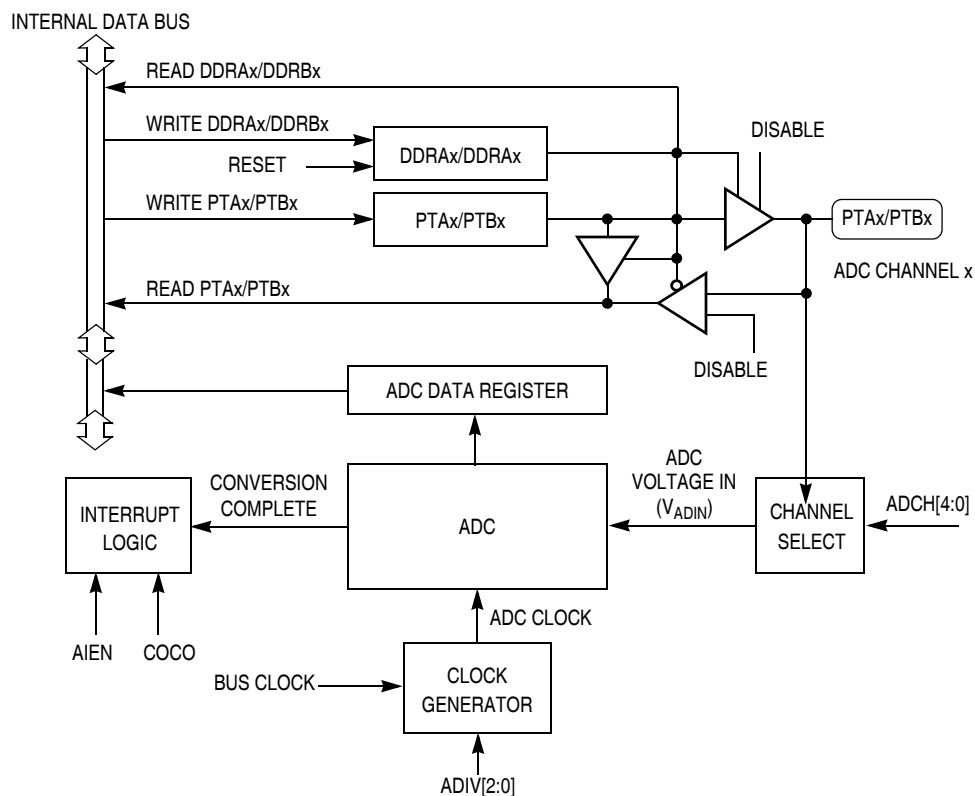


Figure 3-2. ADC Block Diagram

3.3.1 ADC Port I/O Pins

PTB7/ADC6, PTA6/ADC5, PTA4/ADC4–PTA0/ADC0 are general-purpose I/O (input/output) pins that share with the ADC channels. The channel select bits define which ADC channel/port pin will be used as

the input signal. The ADC overrides the port I/O logic by forcing that pin as input to the ADC. The remaining ADC channels/port pins are controlled by the port I/O logic and can be used as general-purpose I/O. Writes to the port register or data direction register (DDR) will not have any effect on the port pin that is selected by the ADC. Read of a port pin in use by the ADC will return a logic 0. If the DDR bit is at 1, the value in the port data latch is read.

3.3.2 Voltage Conversion

When the input voltage to the ADC equals V_{REFH} , the ADC converts the signal to \$FF (full scale). If the input voltage equals V_{REFL} , the ADC converts it to \$00. Input voltages between V_{REFH} and V_{REFL} are a straight-line linear conversion.

V_{REFH} and V_{REFL} are internally connected to V_{DD} and V_{SS} respectively.

3.3.3 Conversion Time

Conversion starts after a write to the ADC status and control register (ADSCR). One conversion will take between 16 and 17 ADC clock cycles. The ADIVx bit should be set to provide a 1-MHz ADC clock frequency.

$$\text{Conversion time} = \frac{16 \text{ to } 17 \text{ ADC cycles}}{\text{ADC frequency}}$$

$$\text{Number of bus cycles} = \text{conversion time} \times \text{bus frequency}$$

3.3.4 Conversion

In continuous conversion mode, the ADC data register will be filled with new data after each conversion. Data from the previous conversion will be overwritten whether that data has been read or not. Conversions will continue until the ADCO bit is cleared. The COCO bit is set after the first conversion and will stay set until the next write of the ADC status and control register or the next read of the ADC data register.

In single conversion mode, conversion begins with a write to the ADSCR. Only one conversion occurs between writes to the ADSCR.

3.3.5 Accuracy and Precision

The conversion process is monotonic and has no missing codes.

3.4 Monotonicity

The conversion process is monotonic and has no missing codes.

3.5 Interrupts

When the AIEN bit is set, the ADC module is capable of generating CPU interrupts after each ADC conversion. A CPU interrupt is generated if the COCO bit is at 0. The COCO bit is not used as a conversion complete flag when interrupts are enabled.

3.6 Low-Power Modes

The WAIT and STOP instruction can put the MCU in low power consumption standby modes.

3.6.1 Wait Mode

The ADC continues normal operation during wait mode. Any enabled CPU interrupt request from the ADC can bring the MCU out of wait mode. If the ADC is not required to bring the MCU out of wait mode, power down the ADC by setting ADCH4–ADCH0 bits in the ADC status and control register before executing the WAIT instruction.

3.6.2 Stop Mode

The ADC module is inactive after the execution of a STOP instruction. Any pending conversion is aborted. ADC functionality resume when the MCU exits stop mode after an external interrupt. Allow one conversion cycle to stabilize the analog circuitry.

3.7 I/O Signals

The ADC module has seven pins shared with ports A and B: PTB7/ADC6, PTA6/ADC5, PTA4/ADC4–PTA0/ADC0.

V_{ADIN} is the input voltage signal from one of the seven ADC channels to the ADC module.

3.8 I/O Registers

These I/O registers control and monitor ADC operation:

- ADC status and control register (ADSCR)
- ADC data register (ADR)
- ADC clock register (ADCLK)

3.8.1 ADC Status and Control Register

Function of the ADC status and control register (ADSCR) is described here.

Address:	\$003C							
	Bit 7	6	5	4	3	2	1	Bit 0
Read:	COCO	AIEN	ADCO	ADCH4	ADCH3	ADCH2	ADCH1	ADCH0
Write:								
Reset:	0	0	0	1	1	1	1	1

Figure 3-3. ADC Status and Control Register (ADSCR)

COCO — Conversions Complete Bit

When the AIEN bit is a 0, the COCO is a read-only bit which is set each time a conversion is completed except in the continuous conversion mode where it is set after the first conversion. This bit is cleared whenever the ADSCR is written or whenever the ADR is read.

If the AIEN bit is a 1, the COCO becomes a read/write bit, which should be cleared to 0 for CPU to service the ADC interrupt request. Reset clears this bit.

1 = Conversion completed (AIEN = 0)

0 = Conversion not completed (AIEN = 0)/CPU interrupt (AIEN = 1)

AIEN — ADC Interrupt Enable Bit

When this bit is set, an interrupt is generated at the end of an ADC conversion. The interrupt signal is cleared when the data register is read or the status/control register is written. Reset clears the AIEN bit.

1 = ADC interrupt enabled

0 = ADC interrupt disabled

ADCO — ADC Continuous Conversion Bit

When set, the ADC will convert samples continuously and update the ADR register at the end of each conversion. Only one conversion is completed between writes to the ADSCR when this bit is cleared. Reset clears the ADCO bit.

1 = Continuous ADC conversion

0 = One ADC conversion

ADCH4–ADCH0 — ADC Channel Select Bits

ADCH4–ADCH0 form a 5-bit field which is used to select one of 7 ADC channels. Only seven channels, AD6–AD0, are available on this MCU. The channels are detailed in [Table 3-1](#). Care should be taken when using a port pin as both an analog and digital input simultaneously to prevent switching noise from corrupting the analog signal. See [Table 3-1](#).

The ADC subsystem is turned off when the channel select bits are all set to 1. This feature allows for reduced power consumption for the MCU when the ADC is not being used.

NOTE

Recovery from the disabled state requires one conversion cycle to stabilize.

The voltage levels supplied from internal reference nodes, as specified in [Table 3-1](#), are used to verify the operation of the ADC converter both in production test and for user applications.

Table 3-1. Mux Channel Select⁽¹⁾

ADCH4	ADCH3	ADCH2	ADCH1	ADCH0	Input Select
0	0	0	0	0	PTA0/AD0
0	0	0	0	1	PTA1/AD1
0	0	0	1	0	PTA2/AD2
0	0	0	1	1	PTA3/AD3
0	0	1	0	0	PTA4/AD4
0	0	1	0	1	PTA6/AD5
0	0	1	1	0	PTB7/AD6
0	1	0	0	0	Unused
↓	↓	↓	↓	↓	
1	1	1	0	0	
1	1	1	0	1	$V_{REFH}^{(2)}$
1	1	1	1	0	$V_{REFL}^{(2)}$
1	1	1	1	1	ADC power off

Analog-to-Digital Converter (ADC)

NOTES:

1. If any unused channels are selected, the resulting ADC conversion will be unknown or reserved.
2. V_{REFH} and V_{REFL} are internally connected to V_{DD} and V_{SS} respectively.

3.8.2 ADC Data Register

One 8-bit result register is provided. This register is updated each time an ADC conversion completes.

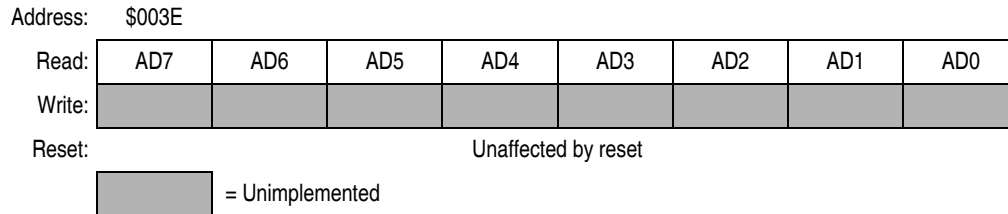


Figure 3-4. ADC Data Register (ADR)

3.8.3 ADC Clock Register

The ADC clock register (ADCLK) selects the clock frequency for the ADC.

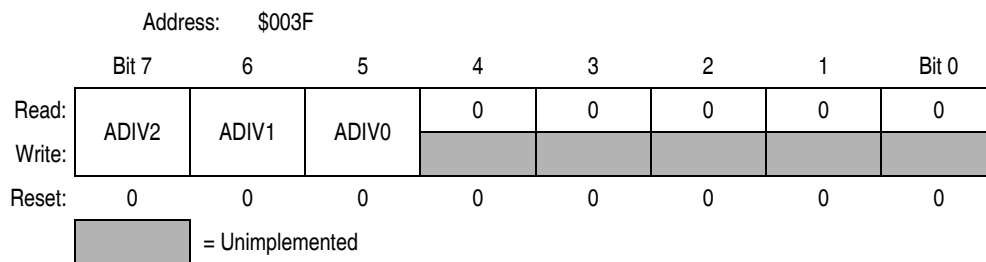


Figure 3-5. ADC Clock Register (ADCLK)

ADIV2–ADIV0 — ADC Clock Prescaler Bits

ADIV2–ADIV0 form a 3-bit field which selects the divide ratio used by the ADC to generate the internal ADC clock. [Table 3-2](#) shows the available clock configurations. The ADC clock should be set to approximately 1 MHz.

Table 3-2. ADC Clock Divide Ratio

ADIV2	ADIV1	ADIV0	ADC Clock Rate
0	0	0	ADC input clock ÷ 1
0	0	1	ADC input clock ÷ 2
0	1	0	ADC input clock ÷ 4
0	1	1	ADC input clock ÷ 8
1	X ⁽¹⁾	X ⁽¹⁾	ADC input clock ÷ 16

NOTES:

1. X = Don't care

The ADC requires a clock rate of approximately 1 MHz for correct operation. If the selected clock source is not fast enough, the ADC will generate incorrect conversions. See [20.8 5.0-Volt ADC Characteristics](#).

$$f_{\text{ADIC}} = \frac{\text{Bus frequency}}{\text{ADIV}[2:0]} \cong 1 \text{ MHz}$$

Chapter 4

Op Amp/Comparator Module

4.1 Introduction

This section describes the functionality of the op amp/comparator.

4.2 Features

Features of the op amp/comparator include:

- Software enable/disable
- Op amp and comparator modes for optimized performance
- Shared output pin with ADC input pin and PWM fault pin to allow a op amp/comparator circuit to be inputs to these modules

4.3 Pin Name Conventions

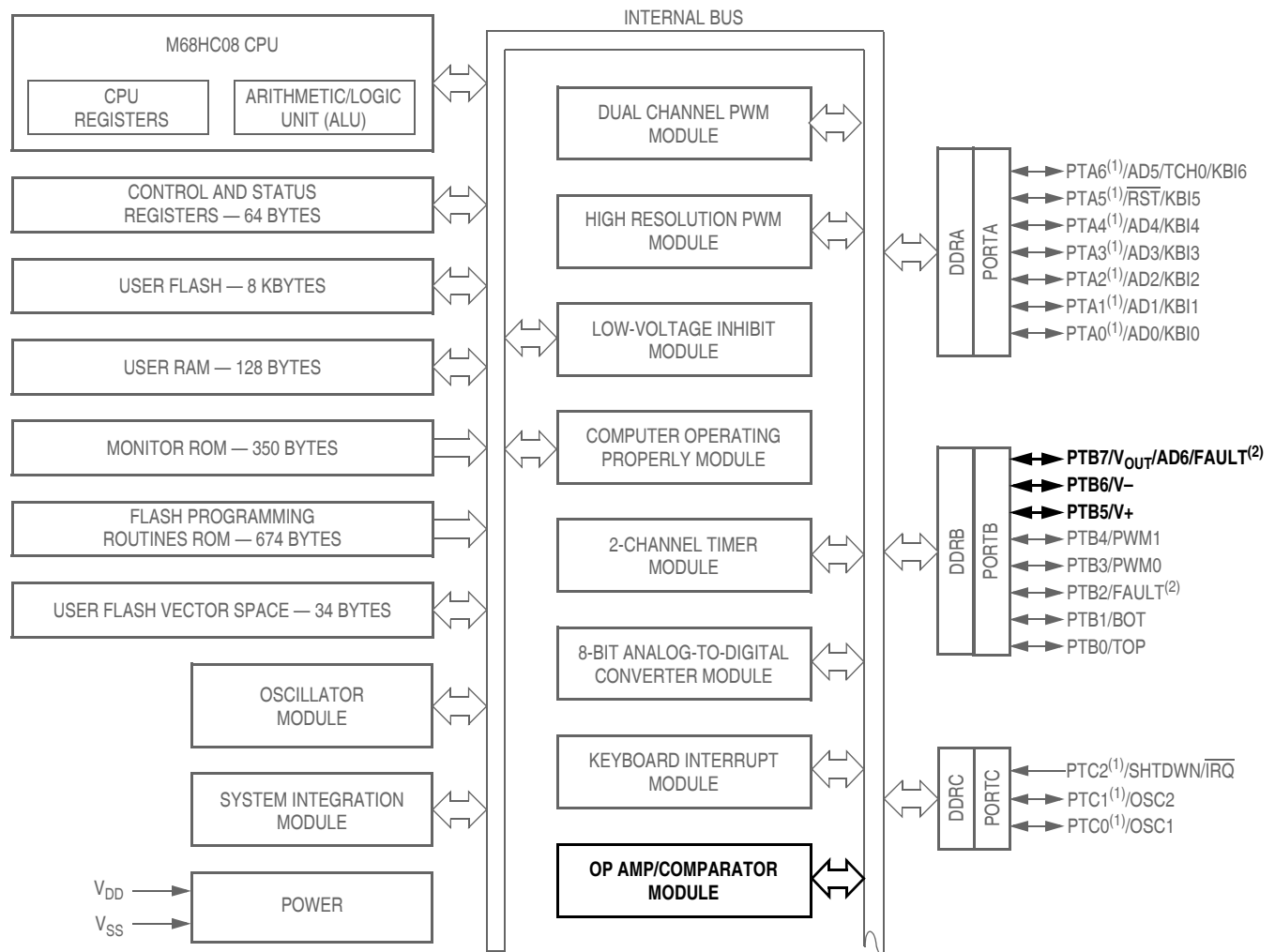
The op amp/comparator shares two input pins and an output pin with the port B input/output (I/O). The full names of the op amp/comparator pins are listed in

[Table 4-1](#). Note that the generic pin names appear in the text that follows.

Table 4-1. Pin Name Conventions

Generic Pin Name	Full Pin Name
V_{OUT}	PTB7/ V_{OUT} /ADC6/FAULT
$V-$	PTB6/ $V-$
$V+$	PTB5/ $V+$

Op Amp/Comparator Module



Notes:

1. Pin contains integrated pullup device.
2. Fault function switchable between pins PTB2 and PTB7.

Figure 4-1. Block Diagram Highlighting Op Amp/Comparator Block and Pins

4.4 Functional Description

The op amp/comparator module has two modes of operation — op amp mode and comparator mode. Op amp mode optimizes the module for accurate signal amplification with low input offset voltage. Comparator mode optimizes the module for use as a comparator with fast output response.

The output of the op amp/comparator shares its pin with an analog-to-digital converter (ADC6) channel. The fault function of the PWM can also be switched to share this pin. The ADC channel function and the op amp output can be enabled simultaneously so that the output of the op amp could be sampled directly by the associated ADC channels. See [Figure 4-2](#).

NOTE

Setting an op amp/comparator enable control bit (OACE) and an op amp/comparator module selected control bit (OACM) forces V₊ and V₋ to be inputs and V_{OUT} to be an output, overriding the data direction register.

In order to read the digital states of the pins configured as inputs, the data direction register bit must be a 0; to read the states of the pins configured as outputs the data direction register bit must be a 1.

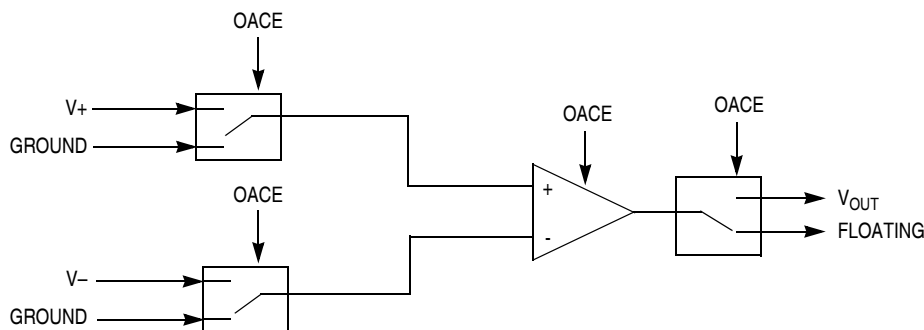


Figure 4-2. Op Amp/Comparator Block Diagram

4.5 Low Power Modes

4.5.1 Wait Mode

The WAIT instruction places the MCU in a low power consumption mode. While in WAIT the op amp/comparator cannot be enabled or disabled. If the op amp/comparator module is not needed during wait mode, reduce power consumption by disabling the op amp/comparator before executing the WAIT command.

4.5.2 Stop Mode

The op amp/comparator is inactive after execution of the STOP command. The op amp/comparator will be in a low-power state and will not drive its output pin. When the MCU exits stop mode after an external interrupt, the op amp/comparator continues operation.

4.6 Op Amp/Comparator Control Register

There is a single operational control register (OACCR) that contains the enable bit for the op amp/comparator.

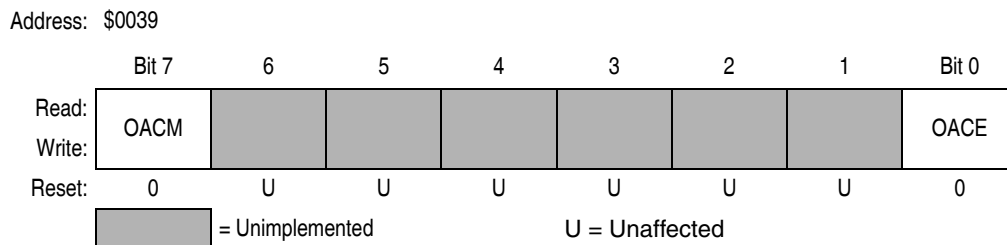


Figure 4-3. Op Amp/Comparator Control Register (OACCR)

OACM — Op Amp/Comparator Mode Select Bit

This bit selects between 2 modes of operation, op amp mode and comparator mode.

1 = Op amp mode selected

0 = Comparator mode selected

OACE — Op Amp/Comparator Enable Bit

Setting of the corresponding bit in the register enables the associated op amp/comparator and connects it to the op amp/comparator pins.

1 = Op amp/comparator is connected to pins and powered on

0 = Op amp/comparator is disconnected from pins and powered off

NOTE

Enabling the op amp/comparator prevents PTB[5:7] from being used as standard I/O. However, the PTB7 pin can be shared with AD6 and FAULT if the ADC and PWM modules are also enabled.

4.7 Application Information

We make the following assumptions during the design of the operational amplifier.

1. The signal amplified by the operational amplifier is sampled by the internal ADC.
2. Noise resulting from the operation of other circuitry within the MCU will appear at the output of the circuit due to the amplification set by user.

We recommend the following.

1. An external 500pF capacitor should be added between the output of the operational amplifier (PTB7) and VSS. This capacitor will act as a filter to internal bus noise caused by the operation of other digital circuitry in the MCU.
2. Care should be taken to ensure proper filtering at or around the operation bus speed in the amplification circuit, to prevent noise from being amplified along with the desired signal.
3. The maximum frequency of the signal to be amplified should be limited to 200kHz. This will ensure that the filtering element will not affect the gain of the desired signal.
4. Do not set the gain of the amplifier to less than 5 (except in the unity gain buffer).
5. Use the circuit component values suggested for the common amplifier configurations shown in the following figures (Figure 4-4, Figure 4-5, and Figure 4-6).

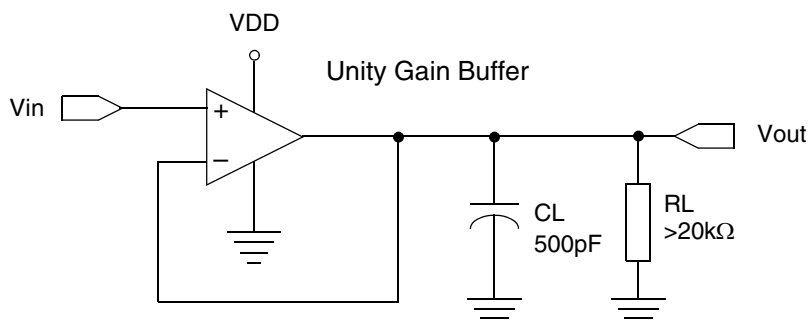


Figure 4-4. Suggested Application Circuit for Unity Gain Buffer

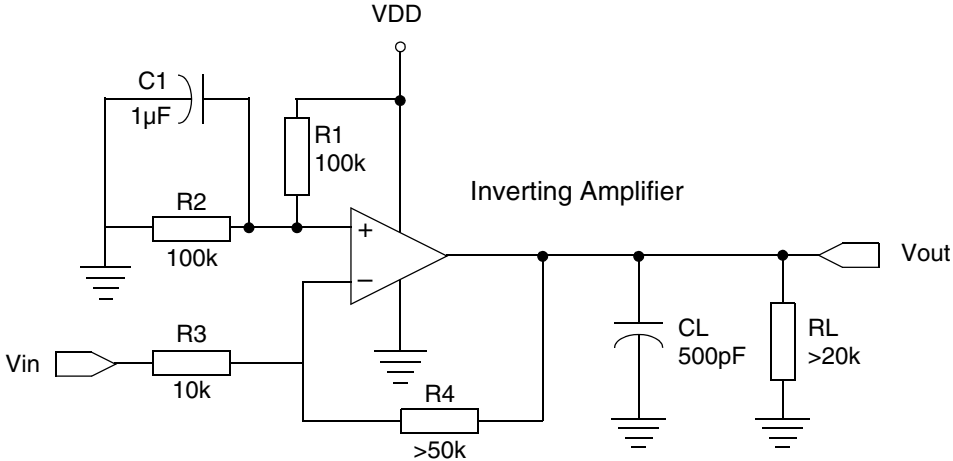


Figure 4-5. Suggested Application Circuit for Inverting Amplifier

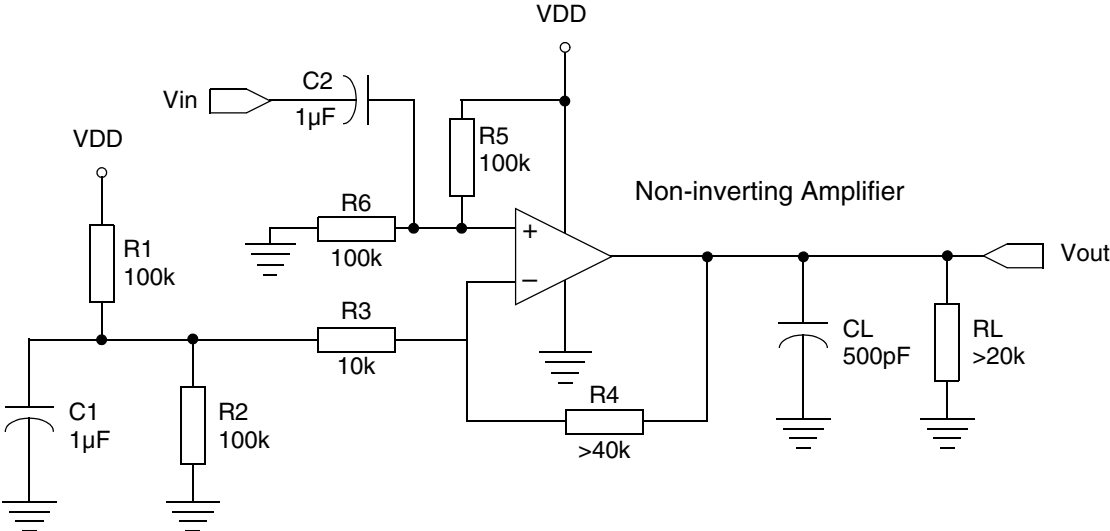


Figure 4-6. Suggested Application Circuit for Non-inverting Amplifier

Chapter 5

Configuration Register (CONFIG)

5.1 Introduction

This section describes the configuration registers, CONFIG1 and CONFIG2. The configuration registers enable or disable these options:

- COP timeout period ($2^{18} - 2^4$ or $2^{13} - 2^4$ BUSCLKX4 cycles)
- STOP instruction
- Stop mode recovery (32 x BUSCLKX4 cycles or 4096 x BUSCLKX4 cycles)
- Computer operating properly module (COP)
- Low-voltage inhibit (LVI) module control
- $\overline{\text{IRQ}}$ pin
- $\overline{\text{RST}}$ pin
- OSC option selection

5.2 Functional Description

The configuration registers are used in the initialization of various options. The configuration registers can be written once after each reset. All of the configuration register bits are cleared during reset. Since the various options affect the operation of the microcontroller unit (MCU), it is recommended that these registers be written immediately after reset. The configuration registers are located at \$001E and \$001F and may be read at anytime.

NOTE

On a FLASH device, the options are one-time writable by the user after each reset. The CONFIG registers are not in the FLASH memory but are special registers containing one-time writable latches after each reset. Upon a reset, the CONFIG registers default to predetermined settings as shown in [Figure 5-1](#) and [Figure 5-2](#).

Configuration Register (CONFIG)

Address: \$001E

	Bit 7	6	5	4	3	2	1	Bit 0
Read:	IRQPUD	IRQEN	R	OSCOPT1	OSCOPT0	0	0	RSTEN
Write:								
Reset:	0	0	0	0	0	0	0	U
POR:	0	0	0	0	0	0	0	0

= Unimplemented
 R = Reserved
 U = Unaffected

Figure 5-1. Configuration Register 2 (CONFIG2)

IRQPUD — $\overline{\text{IRQ}}$ Pin Pullup Control Bit

- 1 = Internal pullup is disconnected
- 0 = Internal pullup is connected between pin $\overline{\text{IRQ}}$ and V_{DD}

IRQEN — $\overline{\text{IRQ}}$ Pin Function Selection Bit

- 1 = Interrupt request function active in pin
- 0 = Interrupt request function inactive in pin

OSCOPT1 and OSCOPT0 — Selection Bits for Oscillator Option

OSCOPT[1:0]	Oscillator Selection
00	Internal oscillator
01	External oscillator
10	External RC oscillator
11	External XTAL oscillator

RSTEN — $\overline{\text{RST}}$ Pin Function Selection

- 1 = Reset function active in pin
- 0 = Reset function inactive in pin

NOTE

The RSTEN bit is cleared by a power-on reset (POR) only. Other resets will leave this bit unaffected.

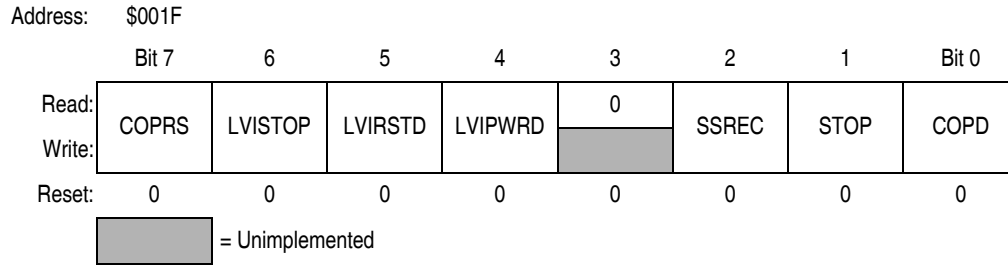


Figure 5-2. Configuration Register 1 (CONFIG1)

COPRS — COP Rate Select Bit

COPD selects the COP timeout period. Reset clears COPRS. See [Chapter 6 Computer Operating Properly \(COP\) Module](#)

- 1 = COP timeout period = $2^{13} - 2^4$ BUSCLKX4 cycles
- 0 = COP timeout period = $2^{18} - 2^4$ BUSCLKX4 cycles

LVISTOP — LVI Enable in Stop Mode Bit

When the LVIPWRD bit is clear, setting the LVISTOP bit enables the LVI to operate during stop mode. Reset clears LVISTOP.

- 1 = LVI enabled during stop mode
- 0 = LVI disabled during stop mode

LVIRSTD — LVI Reset Disable Bit

LVIRSTD disables the reset signal from the LVI module. See [Chapter 12 Low-Voltage Inhibit \(LVI\)](#).

- 1 = LVI module resets disabled
- 0 = LVI module resets enabled

LVIPWRD — LVI Power Disable Bit

LVIPWRD disables the LVI module. See [Chapter 12 Low-Voltage Inhibit \(LVI\)](#).

- 1 = LVI module power disabled
- 0 = LVI module power enabled

SSREC — Short Stop Recovery Bit

SSREC enables the CPU to exit stop mode with a delay of 32 BUSCLKX4 cycles instead of a 4096-BUSCLKX4 cycle delay.

- 1 = Stop mode recovery after 32 BUSCLKX4 cycles
- 0 = Stop mode recovery after 4096 BUSCLKX4 cycles

NOTE

Exiting stop mode by an LVI reset will result in the long stop recovery.

If running with external crystal, it is advisable to set the short stop recovery bit to 0. The short stop recovery does not provide enough time for oscillator stabilization and for this reason the SSREC bit should not be set.

When using the LVI during normal operation but disabling during stop mode, the LVI will have an enable time of t_{EN} . The system stabilization time for power-on reset and long stop recovery (both 4096 BUSCLKX4 cycles) gives a delay longer than the LVI enable time for these startup scenarios. There is no period where the MCU is not protected from a low-power condition. However, when using the short stop recovery configuration option, the 32-BUSCLKX4 delay must be greater than the LVI's turn on time to avoid a period in startup where the LVI is not protecting the MCU.

Configuration Register (CONFIG)

STOP — STOP Instruction Enable Bit

STOP enables the STOP instruction.

1 = STOP instruction enabled

0 = STOP instruction treated as illegal opcode

COPD — COP Disable Bit

COPD disables the COP module. See [Chapter 6 Computer Operating Properly \(COP\) Module](#).

1 = COP module disabled

0 = COP module enabled

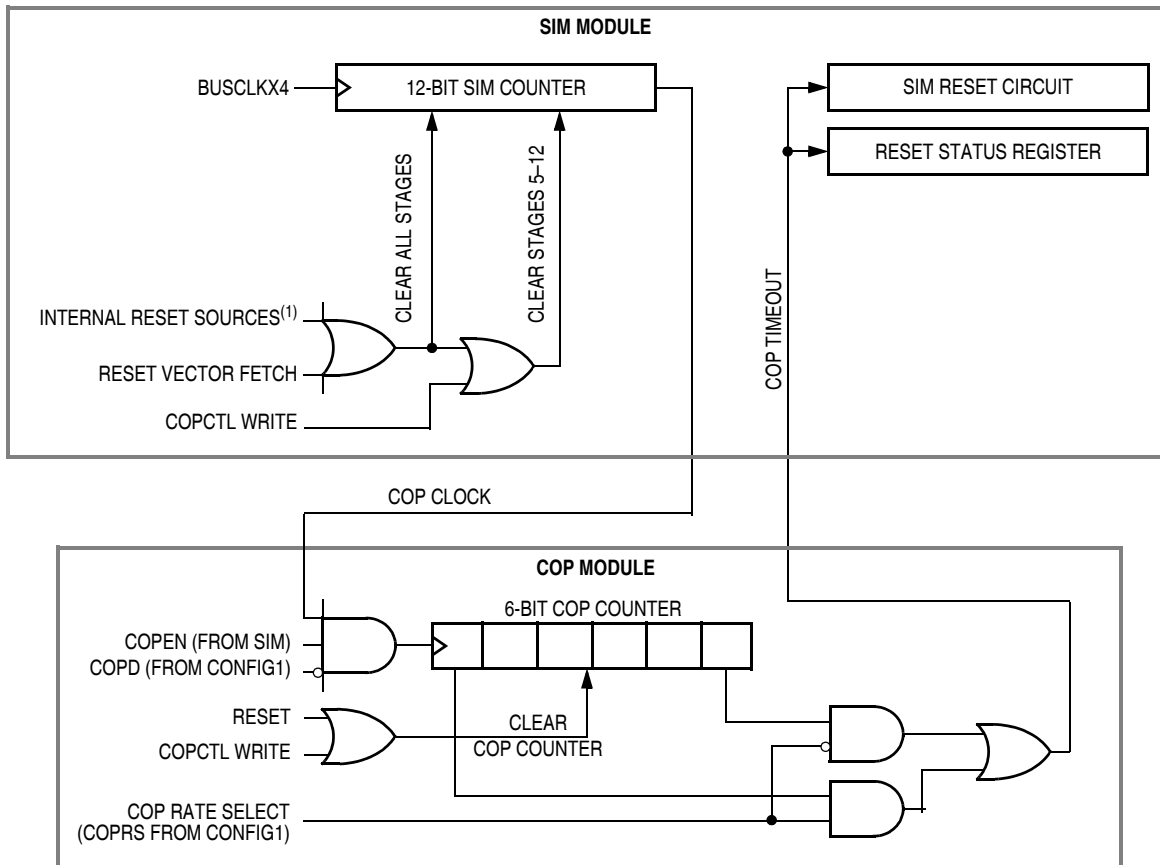
Chapter 6

Computer Operating Properly (COP) Module

6.1 Introduction

The computer operating properly (COP) module contains a free-running counter that generates a reset if allowed to overflow. The COP module helps software recover from runaway code. Prevent a COP reset by clearing the COP counter periodically. The COP module can be disabled through the COPD bit in the configuration 1 (CONFIG1) register.

6.2 Functional Description



1. See [Chapter 17 System Integration Module \(SIM\)](#) for more details.

Figure 6-1. COP Block Diagram

Computer Operating Properly (COP) Module

The COP counter is a free-running 6-bit counter preceded by the 12-bit system integration module (SIM) counter. If not cleared by software, the COP counter overflows and generates an asynchronous reset after $2^{18} - 2^4$ or $2^{13} - 2^4$ BUSCLKX4 cycles; depending on the state of the COP rate select bit, COPRS, in configuration register 1. With a $2^{18} - 2^4$ BUSCLKX4 cycle overflow option, using the internal clock to produce bus speed of 4 MHz gives a COP timeout period of 16.383 ms. Writing any value to location \$FFFF before an overflow occurs prevents a COP reset by clearing the COP counter and stages 12–5 of the SIM counter.

NOTE

Service the COP immediately after reset and before entering or after exiting stop mode to guarantee the maximum time before the first COP counter overflow.

A COP reset pulls the $\overline{\text{RST}}$ pin low for $32 \times \text{BUSCLKX4}$ cycles and sets the COP bit in the reset status register (RSR). See [17.7.2 SIM Reset Status Register](#).

NOTE

Place COP clearing instructions in the main program and not in an interrupt subroutine. Such an interrupt subroutine could keep the COP from generating a reset even while the main program is not working properly.

6.3 I/O Signals

The following paragraphs describe the signals shown in [Figure 6-1](#).

6.3.1 BUSCLKX4

BUSCLKX4 is the oscillator output signal. BUSCLKX4 frequency is equal to the crystal frequency, the internal oscillator frequency, or the RC oscillator frequency.

6.3.2 COPCTL Write

Writing any value to the COP control register (COPCTL) (see [6.4 COP Control Register](#)) clears the COP counter and clears bits 12–5 of the SIM counter. Reading the COP control register returns the low byte of the reset vector.

6.3.3 Power-On Reset

The power-on reset (POR) circuit in the SIM clears the SIM counter $4096 \times \text{BUSCLKX4}$ cycles after power up.

6.3.4 Internal Reset

An internal reset clears the SIM counter and the COP counter.

6.3.5 Reset Vector Fetch

A reset vector fetch occurs when the vector address appears on the data bus. A reset vector fetch clears the SIM counter.

6.3.6 COPD (COP Disable)

The COPD signal reflects the state of the COP disable bit (COPD) in the configuration register 1 (CONFIG1). See [Chapter 5 Configuration Register \(CONFIG\)](#).

6.3.7 COPRS (COP Rate Select)

The COPRS signal reflects the state of the COP rate select bit (COPRS) in the configuration register 1 (CONFIG1). See [Chapter 5 Configuration Register \(CONFIG\)](#).

6.4 COP Control Register

The COP control register (COPCTL) is located at address \$FFFF and overlaps the reset vector. Writing any value to \$FFFF clears the COP counter and starts a new timeout period. Reading location \$FFFF returns the low byte of the reset vector.

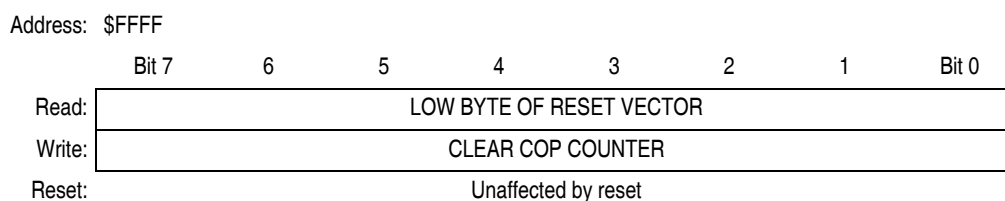


Figure 6-2. COP Control Register (COPCTL)

6.5 Interrupts

The COP does not generate CPU interrupt requests.

6.6 Monitor Mode

The COP is disabled in monitor mode when V_{TST} is present on the \overline{IRQ} pin.

6.7 Low-Power Modes

The WAIT and STOP instructions put the microcontroller unit (MCU) in low power-consumption standby modes.

6.7.1 Wait Mode

The COP remains active during wait mode. If COP is enabled, a reset will occur at COP timeout.

6.7.2 Stop Mode

Stop mode turns off the BUSCLKX4 input to the COP and clears the SIM counter. Service the COP immediately before entering or after exiting stop mode to ensure a full COP timeout period after entering or exiting stop mode.

To prevent inadvertently turning off the COP with a STOP instruction, a configuration option is available that disables the STOP instruction. When the STOP bit in the configuration register has the STOP instruction disabled, execution of a STOP instruction results in an illegal opcode reset.

Chapter 7

Central Processor Unit (CPU)

7.1 Introduction

The M68HC08 CPU (central processor unit) is an enhanced and fully object-code-compatible version of the M68HC05 CPU. The *CPU08 Reference Manual* (Freescale Semiconductor document order number CPU08RM/AD) contains a description of the CPU instruction set, addressing modes, and architecture.

7.2 Features

Features of the CPU include:

- Object code fully upward-compatible with M68HC05 Family
- 16-bit stack pointer with stack manipulation instructions
- 16-bit index register with x-register manipulation instructions
- 8-MHz CPU internal bus frequency
- 64-Kbyte program/data memory space
- 16 addressing modes
- Memory-to-memory data moves without using accumulator
- Fast 8-bit by 8-bit multiply and 16-bit by 8-bit divide instructions
- Enhanced binary-coded decimal (BCD) data handling
- Modular architecture with expandable internal bus definition for extension of addressing range beyond 64 Kbytes
- Low-power stop and wait modes

7.3 CPU Registers

Figure 7-1 shows the five CPU registers. CPU registers are not part of the memory map.

Central Processor Unit (CPU)

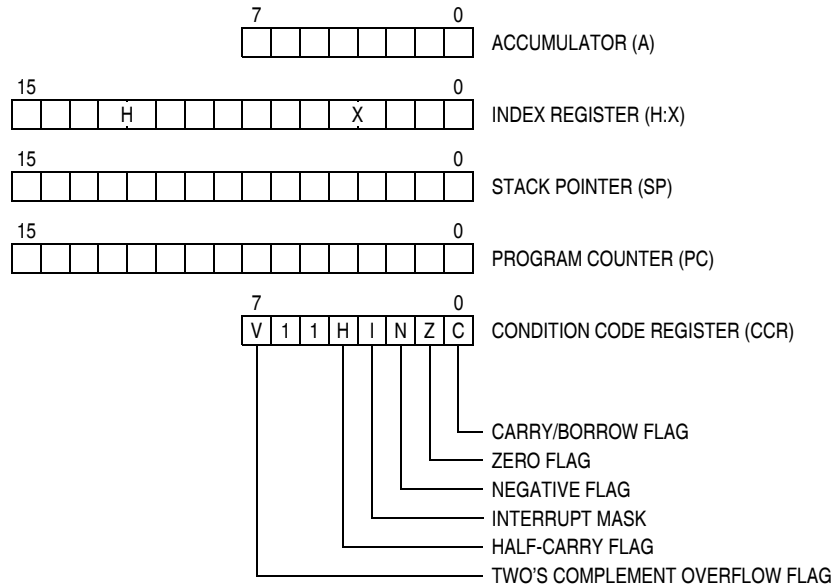


Figure 7-1. CPU Registers

7.3.1 Accumulator

The accumulator is a general-purpose 8-bit register. The CPU uses the accumulator to hold operands and the results of arithmetic/logic operations.

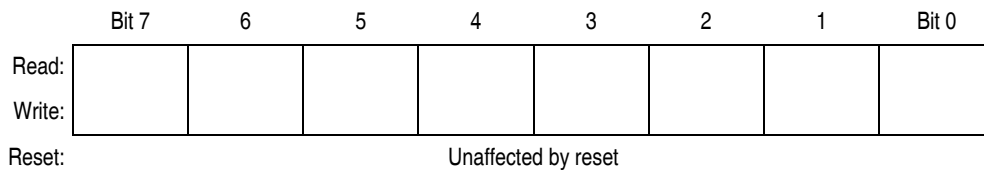


Figure 7-2. Accumulator (A)

7.3.2 Index Register

The 16-bit index register allows indexed addressing of a 64-Kbyte memory space. H is the upper byte of the index register, and X is the lower byte. H:X is the concatenated 16-bit index register.

In the indexed addressing modes, the CPU uses the contents of the index register to determine the conditional address of the operand.

The index register can serve also as a temporary data storage location.

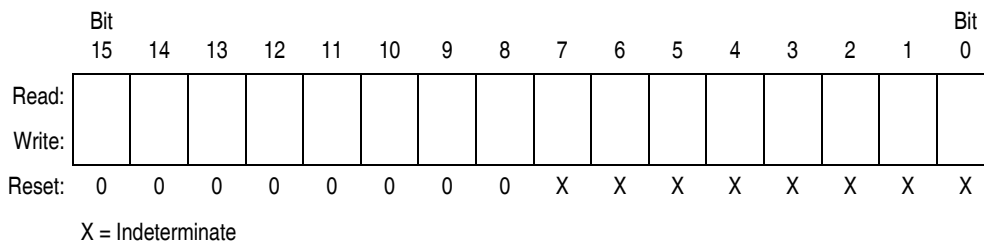


Figure 7-3. Index Register (H:X)

7.3.3 Stack Pointer

The stack pointer is a 16-bit register that contains the address of the next location on the stack. During a reset, the stack pointer is preset to \$00FF. The reset stack pointer (RSP) instruction sets the least significant byte to \$FF and does not affect the most significant byte. The stack pointer decrements as data is pushed onto the stack and increments as data is pulled from the stack.

In the stack pointer 8-bit offset and 16-bit offset addressing modes, the stack pointer can function as an index register to access data on the stack. The CPU uses the contents of the stack pointer to determine the conditional address of the operand.

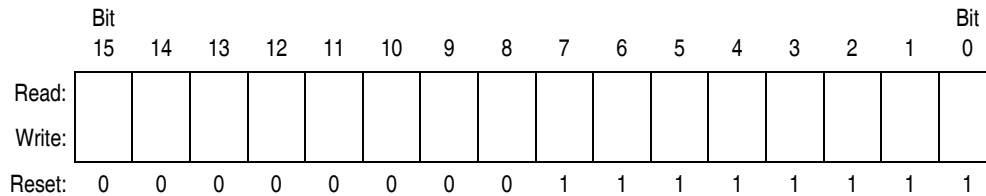


Figure 7-4. Stack Pointer (SP)

NOTE

The location of the stack is arbitrary and may be relocated anywhere in random-access memory (RAM). Moving the SP out of page 0 (\$0000 to \$00FF) frees direct address (page 0) space. For correct operation, the stack pointer must point only to RAM locations.

7.3.4 Program Counter

The program counter is a 16-bit register that contains the address of the next instruction or operand to be fetched.

Normally, the program counter automatically increments to the next sequential memory location every time an instruction or operand is fetched. Jump, branch, and interrupt operations load the program counter with an address other than that of the next sequential location.

During reset, the program counter is loaded with the reset vector address located at \$FFFE and \$FFFF. The vector address is the address of the first instruction to be executed after exiting the reset state.

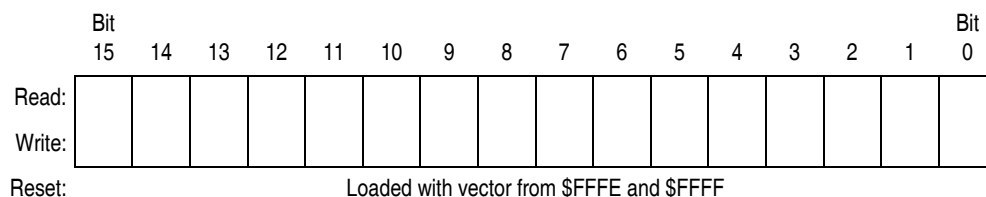


Figure 7-5. Program Counter (PC)

7.3.5 Condition Code Register

The 8-bit condition code register contains the interrupt mask and five flags that indicate the results of the instruction just executed. Bits 6 and 5 are set permanently to 1. The following paragraphs describe the functions of the condition code register.

Central Processor Unit (CPU)

	Bit 7	6	5	4	3	2	1	Bit 0
Read:	V	1	1	H	I	N	Z	C
Write:								
Reset:	X	1	1	X	1	X	X	X

X = Indeterminate

Figure 7-6. Condition Code Register (CCR)

V — Overflow Flag

The CPU sets the overflow flag when a two's complement overflow occurs. The signed branch instructions BGT, BGE, BLE, and BLT use the overflow flag.

- 1 = Overflow
- 0 = No overflow

H — Half-Carry Flag

The CPU sets the half-carry flag when a carry occurs between accumulator bits 3 and 4 during an add-without-carry (ADD) or add-with-carry (ADC) operation. The half-carry flag is required for binary-coded decimal (BCD) arithmetic operations. The DAA instruction uses the states of the H and C flags to determine the appropriate correction factor.

- 1 = Carry between bits 3 and 4
- 0 = No carry between bits 3 and 4

I — Interrupt Mask

When the interrupt mask is set, all maskable CPU interrupts are disabled. CPU interrupts are enabled when the interrupt mask is cleared. When a CPU interrupt occurs, the interrupt mask is set automatically after the CPU registers are saved on the stack, but before the interrupt vector is fetched.

- 1 = Interrupts disabled
- 0 = Interrupts enabled

NOTE

To maintain M6805 Family compatibility, the upper byte of the index register (H) is not stacked automatically. If the interrupt service routine modifies H, then the user must stack and unstack H using the PSHH and PULH instructions.

After the I bit is cleared, the highest-priority interrupt request is serviced first.

A return-from-interrupt (RTI) instruction pulls the CPU registers from the stack and restores the interrupt mask from the stack. After any reset, the interrupt mask is set and can be cleared only by the clear interrupt mask software instruction (CLI).

N — Negative flag

The CPU sets the negative flag when an arithmetic operation, logic operation, or data manipulation produces a negative result, setting bit 7 of the result.

- 1 = Negative result
- 0 = Non-negative result

Z — Zero flag

The CPU sets the zero flag when an arithmetic operation, logic operation, or data manipulation produces a result of \$00.

- 1 = Zero result
- 0 = Non-zero result

C — Carry/Borrow Flag

The CPU sets the carry/borrow flag when an addition operation produces a carry out of bit 7 of the accumulator or when a subtraction operation requires a borrow. Some instructions — such as bit test and branch, shift, and rotate — also clear or set the carry/borrow flag.

- 1 = Carry out of bit 7
- 0 = No carry out of bit 7

7.4 Arithmetic/Logic Unit (ALU)

The ALU performs the arithmetic and logic operations defined by the instruction set.

Refer to the *CPU08 Reference Manual* (Freescale Semiconductor document order number CPU08RM/AD) for a description of the instructions and addressing modes and more detail about the architecture of the CPU.

7.5 Low-Power Modes

The WAIT and STOP instructions put the MCU in low power-consumption standby modes.

7.5.1 Wait Mode

The WAIT instruction:

- Clears the interrupt mask (I bit) in the condition code register, enabling interrupts. After exit from wait mode by interrupt, the I bit remains clear. After exit by reset, the I bit is set.
- Disables the CPU clock

7.5.2 Stop Mode

The STOP instruction:

- Clears the interrupt mask (I bit) in the condition code register, enabling external interrupts. After exit from stop mode by external interrupt, the I bit remains clear. After exit by reset, the I bit is set.
- Disables the CPU clock

After exiting stop mode, the CPU clock begins running after the oscillator stabilization delay.

7.6 CPU During Break Interrupts

If a break module is present on the MCU, the CPU starts a break interrupt by:

- Loading the instruction register with the SWI instruction
- Loading the program counter with \$FFFC:\$FFFD or with \$FEFC:\$FEFD in monitor mode

The break interrupt begins after completion of the CPU instruction in progress. If the break address register match occurs on the last cycle of a CPU instruction, the break interrupt begins immediately.

A return-from-interrupt instruction (RTI) in the break routine ends the break interrupt and returns the MCU to normal operation if the break interrupt has been deasserted.

7.7 Instruction Set Summary

Table 7-1 provides a summary of the M68HC08 instruction set.

Table 7-1. Instruction Set Summary (Sheet 1 of 7)

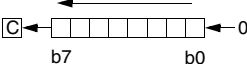
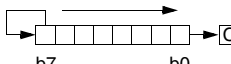
Source Form	Operation	Description	Effect on CCR						Address Mode	Opcode	Operand	Cycles
			V	H	I	N	Z	C				
ADC #opr ADC opr ADC opr ADC opr,X ADC opr,X ADC ,X ADC opr,SP ADC opr,SP	Add with Carry	$A \leftarrow (A) + (M) + (C)$	†	†	-	†	†	†	IMM DIR EXT IX2 IX1 IX SP1 SP2	A9 B9 C9 D9 E9 F9 9EE9 9ED9	ii dd hh ll ee ff ff ff ff ee ff	2 3 4 4 3 2 4 5
ADD #opr ADD opr ADD opr ADD opr,X ADD opr,X ADD ,X ADD opr,SP ADD opr,SP	Add without Carry	$A \leftarrow (A) + (M)$	†	†	-	†	†	†	IMM DIR EXT IX2 IX1 IX SP1 SP2	AB BB CB DB EB FB 9EEB 9EDB	ii dd hh ll ee ff ff ff ff ee ff	2 3 4 4 3 2 4 5
AIS #opr	Add Immediate Value (Signed) to SP	$SP \leftarrow (SP) + (16 \ll M)$	-	-	-	-	-	-	IMM	A7	ii	2
AIX #opr	Add Immediate Value (Signed) to H:X	$H:X \leftarrow (H:X) + (16 \ll M)$	-	-	-	-	-	-	IMM	AF	ii	2
AND #opr AND opr AND opr AND opr,X AND opr,X AND ,X AND opr,SP AND opr,SP	Logical AND	$A \leftarrow (A) \& (M)$	0	-	-	†	†	-	IMM DIR EXT IX2 IX1 IX SP1 SP2	A4 B4 C4 D4 E4 F4 9EE4 9ED4	ii dd hh ll ee ff ff ff ff ee ff	2 3 4 4 3 2 4 5
ASL opr ASLA ASLX ASL opr,X ASL ,X ASL opr,SP	Arithmetic Shift Left (Same as LSL)		†	-	-	†	†	†	DIR INH INH IX1 IX SP1	38 48 58 68 78 9E68	dd ff ff ff	4 1 1 4 3 5
ASR opr ASRA ASRX ASR opr,X ASR opr,X ASR opr,SP	Arithmetic Shift Right		†	-	-	†	†	†	DIR INH INH IX1 IX SP1	37 47 57 67 77 9E67	dd ff ff ff	4 1 1 4 3 5
BCC rel	Branch if Carry Bit Clear	$PC \leftarrow (PC) + 2 + rel ? (C) = 0$	-	-	-	-	-	-	REL	24	rr	3
BCLR n, opr	Clear Bit n in M	$M_n \leftarrow 0$	-	-	-	-	-	-	DIR (b0) DIR (b1) DIR (b2) DIR (b3) DIR (b4) DIR (b5) DIR (b6) DIR (b7)	11 13 15 17 19 1B 1D 1F	dd dd dd dd dd dd dd dd	4 4 4 4 4 4 4 4
BCS rel	Branch if Carry Bit Set (Same as BLO)	$PC \leftarrow (PC) + 2 + rel ? (C) = 1$	-	-	-	-	-	-	REL	25	rr	3
BEQ rel	Branch if Equal	$PC \leftarrow (PC) + 2 + rel ? (Z) = 1$	-	-	-	-	-	-	REL	27	rr	3
BGE opr	Branch if Greater Than or Equal To (Signed Operands)	$PC \leftarrow (PC) + 2 + rel ? (N \oplus V) = 0$	-	-	-	-	-	-	REL	90	rr	3

Table 7-1. Instruction Set Summary (Sheet 2 of 7)

Source Form	Operation	Description	Effect on CCR						Address Mode	Opcode	Operand	Cycles
			V	H	I	N	Z	C				
BGT <i>opr</i>	Branch if Greater Than (Signed Operands)	$PC \leftarrow (PC) + 2 + rel ? (Z) \mid (N \oplus V) = 0$	-	-	-	-	-	-	REL	92	rr	3
BHCC <i>rel</i>	Branch if Half Carry Bit Clear	$PC \leftarrow (PC) + 2 + rel ? (H) = 0$	-	-	-	-	-	-	REL	28	rr	3
BHCS <i>rel</i>	Branch if Half Carry Bit Set	$PC \leftarrow (PC) + 2 + rel ? (H) = 1$	-	-	-	-	-	-	REL	29	rr	3
BHI <i>rel</i>	Branch if Higher	$PC \leftarrow (PC) + 2 + rel ? (C) \mid (Z) = 0$	-	-	-	-	-	-	REL	22	rr	3
BHS <i>rel</i>	Branch if Higher or Same (Same as BCC)	$PC \leftarrow (PC) + 2 + rel ? (C) = 0$	-	-	-	-	-	-	REL	24	rr	3
BIH <i>rel</i>	Branch if \overline{IRQ} Pin High	$PC \leftarrow (PC) + 2 + rel ? \overline{IRQ} = 1$	-	-	-	-	-	-	REL	2F	rr	3
BIL <i>rel</i>	Branch if \overline{IRQ} Pin Low	$PC \leftarrow (PC) + 2 + rel ? \overline{IRQ} = 0$	-	-	-	-	-	-	REL	2E	rr	3
BIT # <i>opr</i> BIT <i>opr</i> BIT <i>opr</i> BIT <i>opr,X</i> BIT <i>opr,X</i> BIT <i>X</i> BIT <i>opr,SP</i> BIT <i>opr,SP</i>	Bit Test	(A) & (M)	0	-	-	†	†	-	IMM DIR EXT IX2 IX1 IX SP1 SP2	A5 B5 C5 D5 E5 F5 9EE5 9ED5	ii dd hh ll ee ff ff ff ff ee ff	2 3 4 4 3 2 4 5
BLE <i>opr</i>	Branch if Less Than or Equal To (Signed Operands)	$PC \leftarrow (PC) + 2 + rel ? (Z) \mid (N \oplus V) = 1$	-	-	-	-	-	-	REL	93	rr	3
BLO <i>rel</i>	Branch if Lower (Same as BCS)	$PC \leftarrow (PC) + 2 + rel ? (C) = 1$	-	-	-	-	-	-	REL	25	rr	3
BLS <i>rel</i>	Branch if Lower or Same	$PC \leftarrow (PC) + 2 + rel ? (C) \mid (Z) = 1$	-	-	-	-	-	-	REL	23	rr	3
BLT <i>opr</i>	Branch if Less Than (Signed Operands)	$PC \leftarrow (PC) + 2 + rel ? (N \oplus V) = 1$	-	-	-	-	-	-	REL	91	rr	3
BMC <i>rel</i>	Branch if Interrupt Mask Clear	$PC \leftarrow (PC) + 2 + rel ? (I) = 0$	-	-	-	-	-	-	REL	2C	rr	3
BMI <i>rel</i>	Branch if Minus	$PC \leftarrow (PC) + 2 + rel ? (N) = 1$	-	-	-	-	-	-	REL	2B	rr	3
BMS <i>rel</i>	Branch if Interrupt Mask Set	$PC \leftarrow (PC) + 2 + rel ? (I) = 1$	-	-	-	-	-	-	REL	2D	rr	3
BNE <i>rel</i>	Branch if Not Equal	$PC \leftarrow (PC) + 2 + rel ? (Z) = 0$	-	-	-	-	-	-	REL	26	rr	3
BPL <i>rel</i>	Branch if Plus	$PC \leftarrow (PC) + 2 + rel ? (N) = 0$	-	-	-	-	-	-	REL	2A	rr	3
BRA <i>rel</i>	Branch Always	$PC \leftarrow (PC) + 2 + rel$	-	-	-	-	-	-	REL	20	rr	3
BRCLR <i>n,opr,rel</i>	Branch if Bit <i>n</i> in M Clear	$PC \leftarrow (PC) + 3 + rel ? (Mn) = 0$	-	-	-	-	-	†	DIR (b0) DIR (b1) DIR (b2) DIR (b3) DIR (b4) DIR (b5) DIR (b6) DIR (b7)	01 03 05 07 09 0B 0D 0F	dd rr dd rr dd rr dd rr dd rr dd rr dd rr dd rr	5 5 5 5 5 5 5 5
BRN <i>rel</i>	Branch Never	$PC \leftarrow (PC) + 2$	-	-	-	-	-	-	REL	21	rr	3
BRSET <i>n,opr,rel</i>	Branch if Bit <i>n</i> in M Set	$PC \leftarrow (PC) + 3 + rel ? (Mn) = 1$	-	-	-	-	-	†	DIR (b0) DIR (b1) DIR (b2) DIR (b3) DIR (b4) DIR (b5) DIR (b6) DIR (b7)	00 02 04 06 08 0A 0C 0E	dd rr dd rr dd rr dd rr dd rr dd rr dd rr dd rr	5 5 5 5 5 5 5 5

Table 7-1. Instruction Set Summary (Sheet 3 of 7)

Source Form	Operation	Description	Effect on CCR						Address Mode	Opcode	Operand	Cycles
			V	H	I	N	Z	C				
BSET <i>n,opr</i>	Set Bit <i>n</i> in M	$M_n \leftarrow 1$	-	-	-	-	-	-	DIR (b0) DIR (b1) DIR (b2) DIR (b3) DIR (b4) DIR (b5) DIR (b6) DIR (b7)	10 12 14 16 18 1A 1C 1E	dd dd dd dd dd dd dd dd	4 4 4 4 4 4 4 4
BSR <i>rel</i>	Branch to Subroutine	$PC \leftarrow (PC) + 2$; push (PCL) $SP \leftarrow (SP) - 1$; push (PCH) $SP \leftarrow (SP) - 1$ $PC \leftarrow (PC) + rel$	-	-	-	-	-	-	REL	AD	rr	4
CBEQ <i>opr,rel</i> CBEQA # <i>opr,rel</i> CBEQX # <i>opr,rel</i> CBEQ <i>opr,X+,rel</i> CBEQ <i>X+,rel</i> CBEQ <i>opr,SP,rel</i>	Compare and Branch if Equal	$PC \leftarrow (PC) + 3 + rel$? (A) - (M) = \$00 $PC \leftarrow (PC) + 3 + rel$? (A) - (M) = \$00 $PC \leftarrow (PC) + 3 + rel$? (X) - (M) = \$00 $PC \leftarrow (PC) + 3 + rel$? (A) - (M) = \$00 $PC \leftarrow (PC) + 2 + rel$? (A) - (M) = \$00 $PC \leftarrow (PC) + 4 + rel$? (A) - (M) = \$00	-	-	-	-	-	-	DIR IMM IMM IX1+ IX+ SP1	31 41 51 61 71 9E61	dd rr ii rr ii rr ff rr rr ff rr	5 4 4 5 4 6
CLC	Clear Carry Bit	$C \leftarrow 0$	-	-	-	-	-	0	INH	98		1
CLI	Clear Interrupt Mask	$I \leftarrow 0$	-	-	0	-	-	-	INH	9A		2
CLR <i>opr</i> CLRA CLR X CLR H CLR <i>opr,X</i> CLR ,X CLR <i>opr,SP</i>	Clear	$M \leftarrow \$00$ $A \leftarrow \$00$ $X \leftarrow \$00$ $H \leftarrow \$00$ $M \leftarrow \$00$ $M \leftarrow \$00$ $M \leftarrow \$00$	0	-	-	0	1	-	DIR INH INH INH IX1 IX SP1	3F 4F 5F 8C 6F 7F 9E6F	dd ff ff	3 1 1 1 3 2 4
CMP # <i>opr</i> CMP <i>opr</i> CMP <i>opr</i> CMP <i>opr,X</i> CMP <i>opr,X</i> CMP ,X CMP <i>opr,SP</i> CMP <i>opr,SP</i>	Compare A with M	(A) - (M)	†	-	-	†	†	†	IMM DIR EXT IX2 IX1 IX SP1 SP2	A1 B1 C1 D1 E1 F1 9EE1 9ED1	ii dd hh ll ee ff ff ff ff ee ff	2 3 4 4 3 2 4 5
COM <i>opr</i> COMA COM X COM <i>opr,X</i> COM ,X COM <i>opr,SP</i>	Complement (One's Complement)	$M \leftarrow (\overline{M}) = \$FF - (M)$ $A \leftarrow (\overline{A}) = \$FF - (M)$ $X \leftarrow (\overline{X}) = \$FF - (M)$ $M \leftarrow (\overline{M}) = \$FF - (M)$ $M \leftarrow (\overline{M}) = \$FF - (M)$ $M \leftarrow (\overline{M}) = \$FF - (M)$	0	-	-	†	†	1	DIR INH INH IX1 IX SP1	33 43 53 63 73 9E63	dd ff ff ff	4 1 1 4 3 5
CPHX # <i>opr</i> CPHX <i>opr</i>	Compare H:X with M	(H:X) - (M:M + 1)	†	-	-	†	†	†	IMM DIR	65 75	ii ii+1 dd	3 4
CPX # <i>opr</i> CPX <i>opr</i> CPX <i>opr</i> CPX ,X CPX <i>opr,X</i> CPX <i>opr,X</i> CPX <i>opr,SP</i> CPX <i>opr,SP</i>	Compare X with M	(X) - (M)	†	-	-	†	†	†	IMM DIR EXT IX2 IX1 IX SP1 SP2	A3 B3 C3 D3 E3 F3 9EE3 9ED3	ii dd hh ll ee ff ff ff ff ee ff	2 3 4 4 3 2 4 5
DAA	Decimal Adjust A	(A) ₁₀	U	-	-	†	†	†	INH	72		2
DBNZ <i>opr,rel</i> DBNZ <i>rel</i> DBNZX <i>rel</i> DBNZ <i>opr,X,rel</i> DBNZ X, <i>rel</i> DBNZ <i>opr,SP,rel</i>	Decrement and Branch if Not Zero	$A \leftarrow (A) - 1$ or $M \leftarrow (M) - 1$ or $X \leftarrow (X) - 1$ $PC \leftarrow (PC) + 3 + rel$? (result) $\neq 0$ $PC \leftarrow (PC) + 2 + rel$? (result) $\neq 0$ $PC \leftarrow (PC) + 2 + rel$? (result) $\neq 0$ $PC \leftarrow (PC) + 3 + rel$? (result) $\neq 0$ $PC \leftarrow (PC) + 2 + rel$? (result) $\neq 0$ $PC \leftarrow (PC) + 4 + rel$? (result) $\neq 0$	-	-	-	-	-	-	DIR INH INH IX1 IX SP1	3B 4B 5B 6B 7B 9E6B	dd rr rr rr ff rr rr ff rr	5 3 3 5 4 6

Table 7-1. Instruction Set Summary (Sheet 4 of 7)

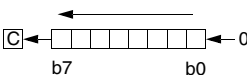
Source Form	Operation	Description	Effect on CCR						Address Mode	Opcode	Operand	Cycles
			V	H	I	N	Z	C				
DEC <i>opr</i> DECA DECX DEC <i>opr,X</i> DEC ,X DEC <i>opr,SP</i>	Decrement	M ← (M) - 1 A ← (A) - 1 X ← (X) - 1 M ← (M) - 1 M ← (M) - 1 M ← (M) - 1	†	-	-	†	†	-	DIR INH INH IX1 IX SP1	3A 4A 5A 6A 7A 9E6A	dd ff ff	4 1 1 4 3 5
DIV	Divide	A ← (H:A)/(X) H ← Remainder	-	-	-	-	†	†	INH	52		7
EOR # <i>opr</i> EOR <i>opr</i> EOR <i>opr</i> EOR <i>opr,X</i> EOR <i>opr,X</i> EOR ,X EOR <i>opr,SP</i> EOR <i>opr,SP</i>	Exclusive OR M with A	A ← (A ⊕ M)	0	-	-	†	†	-	IMM DIR EXT IX2 IX1 IX SP1 SP2	A8 B8 C8 D8 E8 F8 9EE8 9ED8	ii dd hh ll ee ff ff ff ff ee ff	2 3 4 4 3 2 4 5
INC <i>opr</i> INCA INCX INC <i>opr,X</i> INC ,X INC <i>opr,SP</i>	Increment	M ← (M) + 1 A ← (A) + 1 X ← (X) + 1 M ← (M) + 1 M ← (M) + 1 M ← (M) + 1	†	-	-	†	†	-	DIR INH INH IX1 IX SP1	3C 4C 5C 6C 7C 9E6C	dd ff ff	4 1 1 4 3 5
JMP <i>opr</i> JMP <i>opr</i> JMP <i>opr,X</i> JMP <i>opr,X</i> JMP ,X	Jump	PC ← Jump Address	-	-	-	-	-	-	DIR EXT IX2 IX1 IX	BC CC DC EC FC	dd hh ll ee ff ff	2 3 4 3 2
JSR <i>opr</i> JSR <i>opr</i> JSR <i>opr,X</i> JSR <i>opr,X</i> JSR ,X	Jump to Subroutine	PC ← (PC) + n (n = 1, 2, or 3) Push (PCL); SP ← (SP) - 1 Push (PCH); SP ← (SP) - 1 PC ← Unconditional Address	-	-	-	-	-	-	DIR EXT IX2 IX1 IX	BD CD DD ED FD	dd hh ll ee ff ff	4 5 6 5 4
LDA # <i>opr</i> LDA <i>opr</i> LDA <i>opr</i> LDA <i>opr,X</i> LDA <i>opr,X</i> LDA ,X LDA <i>opr,SP</i> LDA <i>opr,SP</i>	Load A from M	A ← (M)	0	-	-	†	†	-	IMM DIR EXT IX2 IX1 IX SP1 SP2	A6 B6 C6 D6 E6 F6 9EE6 9ED6	ii dd hh ll ee ff ff ff ff ee ff	2 3 4 4 3 2 4 5
LDHX # <i>opr</i> LDHX <i>opr</i>	Load H:X from M	H:X ← (M:M + 1)	0	-	-	†	†	-	IMM DIR	45 55	ii jj dd	3 4
LDX # <i>opr</i> LDX <i>opr</i> LDX <i>opr</i> LDX <i>opr,X</i> LDX <i>opr,X</i> LDX ,X LDX <i>opr,SP</i> LDX <i>opr,SP</i>	Load X from M	X ← (M)	0	-	-	†	†	-	IMM DIR EXT IX2 IX1 IX SP1 SP2	AE BE CE DE EE FE 9EEE 9EDE	ii dd hh ll ee ff ff ff ff ee ff	2 3 4 4 3 2 4 5
LSL <i>opr</i> LSLA LSLX LSL <i>opr,X</i> LSL ,X LSL <i>opr,SP</i>	Logical Shift Left (Same as ASL)		†	-	-	†	†	†	DIR INH INH IX1 IX SP1	38 48 58 68 78 9E68	dd ff ff	4 1 1 4 3 5

Table 7-1. Instruction Set Summary (Sheet 5 of 7)

Source Form	Operation	Description	Effect on CCR						Address Mode	Opcode	Operand	Cycles
			V	H	I	N	Z	C				
LSR <i>opr</i> LSRA LSRX LSR <i>opr,X</i> LSR ,X LSR <i>opr,SP</i>	Logical Shift Right		†	-	-	0	†	†	DIR INH INH IX1 IX SP1	34 44 54 64 74 9E64	dd dd ff ff	4 1 1 4 3 5
MOV <i>opr,opr</i> MOV <i>opr,X+</i> MOV # <i>opr,opr</i> MOV <i>X+,opr</i>	Move	(M) _{Destination} ← (M) _{Source} H:X ← (H:X) + 1 (IX+D, DIX+)	0	-	-	†	†	-	DD DIX+ IMD IX+D	4E 5E 6E 7E	dd dd dd ii dd dd	5 4 4 4
MUL	Unsigned multiply	X:A ← (X) × (A)	-	0	-	-	-	0	INH	42		5
NEG <i>opr</i> NEGA NEGX NEG <i>opr,X</i> NEG ,X NEG <i>opr,SP</i>	Negate (Two's Complement)	M ← -(M) = \$00 - (M) A ← -(A) = \$00 - (A) X ← -(X) = \$00 - (X) M ← -(M) = \$00 - (M) M ← -(M) = \$00 - (M)	†	-	-	†	†	†	DIR INH INH IX1 IX SP1	30 40 50 60 70 9E60	dd dd ff ff	4 1 1 4 3 5
NOP	No Operation	None	-	-	-	-	-	-	INH	9D		1
NSA	Nibble Swap A	A ← (A[3:0]:A[7:4])	-	-	-	-	-	-	INH	62		3
ORA # <i>opr</i> ORA <i>opr</i> ORA <i>opr</i> ORA <i>opr,X</i> ORA <i>opr,X</i> ORA ,X ORA <i>opr,SP</i> ORA <i>opr,SP</i>	Inclusive OR A and M	A ← (A) (M)	0	-	-	†	†	-	IMM DIR EXT IX2 IX1 IX SP1 SP2	AA BA CA DA EA FA 9EEA 9EDA	ii dd hh ll ee ff ff ff ff ee ff	2 3 4 4 3 2 4 5
PSHA	Push A onto Stack	Push (A); SP ← (SP) - 1	-	-	-	-	-	-	INH	87		2
PSHH	Push H onto Stack	Push (H); SP ← (SP) - 1	-	-	-	-	-	-	INH	8B		2
PSHX	Push X onto Stack	Push (X); SP ← (SP) - 1	-	-	-	-	-	-	INH	89		2
PULA	Pull A from Stack	SP ← (SP + 1); Pull (A)	-	-	-	-	-	-	INH	86		2
PULH	Pull H from Stack	SP ← (SP + 1); Pull (H)	-	-	-	-	-	-	INH	8A		2
PULX	Pull X from Stack	SP ← (SP + 1); Pull (X)	-	-	-	-	-	-	INH	88		2
ROL <i>opr</i> ROLA ROLX ROL <i>opr,X</i> ROL ,X ROL <i>opr,SP</i>	Rotate Left through Carry		†	-	-	†	†	†	DIR INH INH IX1 IX SP1	39 49 59 69 79 9E69	dd ff ff	4 1 1 4 3 5
ROR <i>opr</i> RORA RORX ROR <i>opr,X</i> ROR ,X ROR <i>opr,SP</i>	Rotate Right through Carry		†	-	-	†	†	†	DIR INH INH IX1 IX SP1	36 46 56 66 76 9E66	dd ff ff	4 1 1 4 3 5
RSP	Reset Stack Pointer	SP ← \$FF	-	-	-	-	-	-	INH	9C		1
RTI	Return from Interrupt	SP ← (SP) + 1; Pull (CCR) SP ← (SP) + 1; Pull (A) SP ← (SP) + 1; Pull (X) SP ← (SP) + 1; Pull (PCH) SP ← (SP) + 1; Pull (PCL)	†	†	†	†	†	†	INH	80		7
RTS	Return from Subroutine	SP ← SP + 1; Pull (PCH) SP ← SP + 1; Pull (PCL)	-	-	-	-	-	-	INH	81		4

Table 7-1. Instruction Set Summary (Sheet 6 of 7)

Source Form	Operation	Description	Effect on CCR						Address Mode	Opcode	Operand	Cycles
			V	H	I	N	Z	C				
SBC #opr SBC opr SBC opr SBC opr,X SBC opr,X SBC ,X SBC opr,SP SBC opr,SP	Subtract with Carry	$A \leftarrow (A) - (M) - (C)$	†	-	-	†	†	†	IMM DIR EXT IX2 IX1 IX SP1 SP2	A2 B2 C2 D2 E2 F2 9EE2 9ED2	ii dd hh ll ee ff ff ff ff ee ff	2 3 4 4 3 2 4 5
SEC	Set Carry Bit	$C \leftarrow 1$	-	-	-	-	1	INH	99			1
SEI	Set Interrupt Mask	$I \leftarrow 1$	-	-	1	-	-	INH	9B			2
STA opr STA opr STA opr,X STA opr,X STA ,X STA opr,SP STA opr,SP	Store A in M	$M \leftarrow (A)$	0	-	-	†	†	-	DIR EXT IX2 IX1 IX SP1 SP2	B7 C7 D7 E7 F7 9EE7 9ED7	dd hh ll ee ff ff ff ff ee ff	3 4 4 3 2 4 5
STHX opr	Store H:X in M	$(M:M + 1) \leftarrow (H:X)$	0	-	-	†	†	-	DIR	35	dd	4
STOP	Enable Interrupts, Stop Processing, Refer to MCU Documentation	$I \leftarrow 0$; Stop Processing	-	-	0	-	-	-	INH	8E		1
STX opr STX opr STX opr,X STX opr,X STX ,X STX opr,SP STX opr,SP	Store X in M	$M \leftarrow (X)$	0	-	-	†	†	-	DIR EXT IX2 IX1 IX SP1 SP2	BF CF DF EF FF 9EEF 9EDF	dd hh ll ee ff ff ff ff ee ff	3 4 4 3 2 4 5
SUB #opr SUB opr SUB opr SUB opr,X SUB opr,X SUB ,X SUB opr,SP SUB opr,SP	Subtract	$A \leftarrow (A) - (M)$	†	-	-	†	†	†	IMM DIR EXT IX2 IX1 IX SP1 SP2	A0 B0 C0 D0 E0 F0 9EE0 9ED0	ii dd hh ll ee ff ff ff ff ee ff	2 3 4 4 3 2 4 5
SWI	Software Interrupt	PC \leftarrow (PC) + 1; Push (PCL) SP \leftarrow (SP) - 1; Push (PCH) SP \leftarrow (SP) - 1; Push (X) SP \leftarrow (SP) - 1; Push (A) SP \leftarrow (SP) - 1; Push (CCR) SP \leftarrow (SP) - 1; I \leftarrow 1 PCH \leftarrow Interrupt Vector High Byte PCL \leftarrow Interrupt Vector Low Byte	-	-	1	-	-	-	INH	83		9
TAP	Transfer A to CCR	$CCR \leftarrow (A)$	†	†	†	†	†	†	INH	84		2
TAX	Transfer A to X	$X \leftarrow (A)$	-	-	-	-	-	-	INH	97		1
TPA	Transfer CCR to A	$A \leftarrow (CCR)$	-	-	-	-	-	-	INH	85		1
TST opr TSTA TSTX TST opr,X TST ,X TST opr,SP	Test for Negative or Zero	$(A) - \$00$ or $(X) - \$00$ or $(M) - \$00$	0	-	-	†	†	-	DIR INH INH IX1 IX SP1	3D 4D 5D 6D 7D 9E6D	dd ff ff	3 1 1 3 2 4
TSX	Transfer SP to H:X	$H:X \leftarrow (SP) + 1$	-	-	-	-	-	-	INH	95		2
TXA	Transfer X to A	$A \leftarrow (X)$	-	-	-	-	-	-	INH	9F		1
TXS	Transfer H:X to SP	$(SP) \leftarrow (H:X) - 1$	-	-	-	-	-	-	INH	94		2

Table 7-1. Instruction Set Summary (Sheet 7 of 7)

Source Form	Operation	Description	Effect on CCR						Address Mode	Opcode	Operand	Cycles
			V	H	I	N	Z	C				
WAIT	Enable Interrupts; Wait for Interrupt	I bit ← 0; Inhibit CPU clocking until interrupted	-	-	0	-	-	-	INH	8F		1

A	Accumulator	<i>n</i>	Any bit
C	Carry/borrow bit	<i>opr</i>	Operand (one or two bytes)
CCR	Condition code register	PC	Program counter
dd	Direct address of operand	PCH	Program counter high byte
dd rr	Direct address of operand and relative offset of branch instruction	PCL	Program counter low byte
DD	Direct to direct addressing mode	REL	Relative addressing mode
DIR	Direct addressing mode	<i>rel</i>	Relative program counter offset byte
DIX+	Direct to indexed with post increment addressing mode	<i>rr</i>	Relative program counter offset byte
ee ff	High and low bytes of offset in indexed, 16-bit offset addressing	SP1	Stack pointer, 8-bit offset addressing mode
EXT	Extended addressing mode	SP2	Stack pointer 16-bit offset addressing mode
ff	Offset byte in indexed, 8-bit offset addressing	SP	Stack pointer
H	Half-carry bit	U	Undefined
H	Index register high byte	V	Overflow bit
hh ll	High and low bytes of operand address in extended addressing	X	Index register low byte
I	Interrupt mask	Z	Zero bit
ii	Immediate operand byte	&	Logical AND
IMD	Immediate source to direct destination addressing mode		Logical OR
IMM	Immediate addressing mode	⊕	Logical EXCLUSIVE OR
INH	Inherent addressing mode	()	Contents of
IX	Indexed, no offset addressing mode	-()	Negation (two's complement)
IX+	Indexed, no offset, post increment addressing mode	#	Immediate value
IX+D	Indexed with post increment to direct addressing mode	«	Sign extend
IX1	Indexed, 8-bit offset addressing mode	←	Loaded with
IX1+	Indexed, 8-bit offset, post increment addressing mode	?	If
IX2	Indexed, 16-bit offset addressing mode	:	Concatenated with
M	Memory location	↑	Set or cleared
N	Negative bit	—	Not affected

7.8 Opcode Map

See [Table 7-2](#).

Table 7-2. Opcode Map

MSB LSB		Bit Manipulation			Branch	Read-Modify-Write					Control		Register/Memory							
		DIR		REL	DIR	INH	INH	IX1	SP1	IX	INH	INH	IMM	DIR	EXT	IX2	SP2	IX1	SP1	IX
		0	1	2	3	4	5	6	9E6	7	8	9	A	B	C	D	9ED	E	9EE	F
0	5 BRSET0 3 DIR	4 BSET0 2 DIR	3 BRA 2 REL	4 NEG 2 DIR	1 NEGA 1 INH	1 NEGX 1 INH	4 NEG 2 IX1	5 NEG 3 SP1	3 NEG 1 IX	7 RTI 1 INH	3 BGE 2 REL	2 SUB 2 IMM	3 SUB 2 DIR	4 SUB 3 EXT	4 SUB 3 IX2	5 SUB 4 SP2	3 SUB 2 IX1	4 SUB 3 SP1	2 SUB 1 IX	
1	5 BRCLR0 3 DIR	4 BCLR0 2 DIR	3 BRN 2 REL	5 CBEQ 3 DIR	4 CBEQA 3 IMM	4 CBEQX 3 IMM	5 CBEQ 3 IX1+	6 CBEQ 4 SP1	4 CBEQ 2 IX+	4 RTS 1 INH	3 BLT 2 REL	2 CMP 2 IMM	3 CMP 2 DIR	4 CMP 3 EXT	4 CMP 3 IX2	5 CMP 4 SP2	3 CMP 2 IX1	4 CMP 3 SP1	2 CMP 1 IX	
2	5 BRSET1 3 DIR	4 BSET1 2 DIR	3 BHI 2 REL		5 MUL 1 INH	7 DIV 1 INH	3 NSA 1 INH		2 DAA 1 INH		3 BGT 2 REL	2 SBC 2 IMM	3 SBC 2 DIR	4 SBC 3 EXT	4 SBC 3 IX2	5 SBC 4 SP2	3 SBC 2 IX1	4 SBC 3 SP1	2 SBC 1 IX	
3	5 BRCLR1 3 DIR	4 BCLR1 2 DIR	3 BLS 2 REL	4 COM 2 DIR	1 COMA 1 INH	1 COMX 1 INH	4 COM 2 IX1	5 COM 3 SP1	3 COM 1 IX	9 SWI 1 INH	3 BLE 2 REL	2 CPX 2 IMM	3 CPX 2 DIR	4 CPX 3 EXT	4 CPX 3 IX2	5 CPX 4 SP2	3 CPX 2 IX1	4 CPX 3 SP1	2 CPX 1 IX	
4	5 BRSET2 3 DIR	4 BSET2 2 DIR	3 BCC 2 REL	4 LSR 2 DIR	1 LSRA 1 INH	1 LSRX 1 INH	4 LSR 2 IX1	5 LSR 3 SP1	3 LSR 1 IX	2 TAP 1 INH	2 TXS 1 INH	2 AND 2 IMM	3 AND 2 DIR	4 AND 3 EXT	4 AND 3 IX2	5 AND 4 SP2	3 AND 2 IX1	4 AND 3 SP1	2 AND 1 IX	
5	5 BRCLR2 3 DIR	4 BCLR2 2 DIR	3 BCS 2 REL	4 STHX 2 DIR	3 LDHX 3 IMM	4 LDHX 2 DIR	3 CPHX 3 IMM		4 CPHX 2 DIR	1 TPA 1 INH	2 TSX 1 INH	2 BIT 2 IMM	3 BIT 2 DIR	4 BIT 3 EXT	4 BIT 3 IX2	5 BIT 4 SP2	3 BIT 2 IX1	4 BIT 3 SP1	2 BIT 1 IX	
6	5 BRSET3 3 DIR	4 BSET3 2 DIR	3 BNE 2 REL	4 ROR 2 DIR	1 RORA 1 INH	1 RORX 1 INH	4 ROR 2 IX1	5 ROR 3 SP1	3 ROR 1 IX	2 PULA 1 INH		2 LDA 2 IMM	3 LDA 2 DIR	4 LDA 3 EXT	4 LDA 3 IX2	5 LDA 4 SP2	3 LDA 2 IX1	4 LDA 3 SP1	2 LDA 1 IX	
7	5 BRCLR3 3 DIR	4 BCLR3 2 DIR	3 BEQ 2 REL	4 ASR 2 DIR	1 ASRA 1 INH	1 ASRX 1 INH	4 ASR 2 IX1	5 ASR 3 SP1	3 ASR 1 IX	2 PSHA 1 INH	1 TAX 1 INH	2 AIS 2 IMM	3 STA 2 DIR	4 STA 3 EXT	4 STA 3 IX2	5 STA 4 SP2	3 STA 2 IX1	4 STA 3 SP1	2 STA 1 IX	
8	5 BRSET4 3 DIR	4 BSET4 2 DIR	3 BHCC 2 REL	4 LSL 2 DIR	1 LSLA 1 INH	1 LSLX 1 INH	4 LSL 2 IX1	5 LSL 3 SP1	3 LSL 1 IX	2 PULX 1 INH	1 CLC 1 INH	2 EOR 2 IMM	3 EOR 2 DIR	4 EOR 3 EXT	4 EOR 3 IX2	5 EOR 4 SP2	3 EOR 2 IX1	4 EOR 3 SP1	2 EOR 1 IX	
9	5 BRCLR4 3 DIR	4 BCLR4 2 DIR	3 BHCS 2 REL	4 ROL 2 DIR	1 ROLA 1 INH	1 ROLX 1 INH	4 ROL 2 IX1	5 ROL 3 SP1	3 ROL 1 IX	2 PSHX 1 INH	1 SEC 1 INH	2 ADC 2 IMM	3 ADC 2 DIR	4 ADC 3 EXT	4 ADC 3 IX2	5 ADC 4 SP2	3 ADC 2 IX1	4 ADC 3 SP1	2 ADC 1 IX	
A	5 BRSET5 3 DIR	4 BSET5 2 DIR	3 BPL 2 REL	4 DEC 2 DIR	1 DECA 1 INH	1 DECX 1 INH	4 DEC 2 IX1	5 DEC 3 SP1	3 DEC 1 IX	2 PULH 1 INH	1 CLI 1 INH	2 ORA 2 IMM	3 ORA 2 DIR	4 ORA 3 EXT	4 ORA 3 IX2	5 ORA 4 SP2	3 ORA 2 IX1	4 ORA 3 SP1	2 ORA 1 IX	
B	5 BRCLR5 3 DIR	4 BCLR5 2 DIR	3 BMI 2 REL	5 DBNZ 3 DIR	3 DBNZA 2 INH	3 DBNZX 2 INH	5 DBNZ 3 IX1	6 DBNZ 4 SP1	4 DBNZ 2 IX	2 PSHH 1 INH	1 SEI 1 INH	2 ADD 2 IMM	3 ADD 2 DIR	4 ADD 3 EXT	4 ADD 3 IX2	5 ADD 4 SP2	3 ADD 2 IX1	4 ADD 3 SP1	2 ADD 1 IX	
C	5 BRSET6 3 DIR	4 BSET6 2 DIR	3 BMC 2 REL	4 INC 2 DIR	1 INCA 1 INH	1 INCX 1 INH	4 INC 2 IX1	5 INC 3 SP1	3 INC 1 IX	1 CLRH 1 INH	1 RSP 1 INH		2 JMP 2 DIR	3 JMP 3 EXT	4 JMP 3 IX2		3 JMP 2 IX1		2 JMP 1 IX	
D	5 BRCLR6 3 DIR	4 BCLR6 2 DIR	3 BMS 2 REL	3 TST 2 DIR	1 TSTA 1 INH	1 TSTX 1 INH	3 TST 2 IX1	4 TST 3 SP1	2 TST 1 IX		1 NOP 1 INH	4 BSR 2 REL	4 JSR 2 DIR	5 JSR 3 EXT	6 JSR 3 IX2		5 JSR 2 IX1		4 JSR 1 IX	
E	5 BRSET7 3 DIR	4 BSET7 2 DIR	3 BIL 2 REL		5 MOV 3 DD	4 MOV 2 DIX+	4 MOV 3 IMD		4 MOV 2 IX+D	1 STOP 1 INH	*	2 LDX 2 IMM	3 LDX 2 DIR	4 LDX 3 EXT	4 LDX 3 IX2	5 LDX 4 SP2	3 LDX 2 IX1	4 LDX 3 SP1	2 LDX 1 IX	
F	5 BRCLR7 3 DIR	4 BCLR7 2 DIR	3 BIH 2 REL	3 CLR 2 DIR	1 CLRA 1 INH	1 CLR 1 INH	3 CLR 2 IX1	4 CLR 3 SP1	2 CLR 1 IX	1 WAIT 1 INH	1 TXA 1 INH	2 AIX 2 IMM	3 STX 2 DIR	4 STX 3 EXT	4 STX 3 IX2	5 STX 4 SP2	3 STX 2 IX1	4 STX 3 SP1	2 STX 1 IX	

INH Inherent
 IMM Immediate
 DIR Direct
 EXT Extended
 DD Direct-Direct
 IX+D Indexed-Direct

REL Relative
 IX Indexed, No Offset
 IX1 Indexed, 8-Bit Offset
 IX2 Indexed, 16-Bit Offset
 IMD Immediate-Direct
 DIX+ Direct-Indexed

SP1 Stack Pointer, 8-Bit Offset
 SP2 Stack Pointer, 16-Bit Offset
 IX+ Indexed, No Offset with Post Increment
 IX1+ Indexed, 1-Byte Offset with Post Increment

Low Byte of Opcode in Hexadecimal

MSB	0	High Byte of Opcode in Hexadecimal
LSB	5 BRSET0 3 DIR	Cycles Opcode Mnemonic Number of Bytes / Addressing Mode

*Pre-byte for stack pointer indexed instructions

Chapter 8

External Interrupt (IRQ)

8.1 Introduction

The IRQ (external interrupt) module provides a maskable interrupt input.

8.2 Features

Features of the IRQ module include:

- A multiplexed external interrupt pin ($\overline{\text{IRQ}}$)
- IRQ interrupt control bits
- Hysteresis buffer
- Programmable edge-only or edge and level interrupt sensitivity
- Automatic interrupt acknowledge
- Selectable internal pullup resistor

8.3 Functional Description

$\overline{\text{IRQ}}$ pin functionality is enabled by setting configuration register 2 (CONFIG2) IRQEN bit accordingly. A zero disables the IRQ function and $\overline{\text{IRQ}}$ will assume the other shared functionalities. A one enables the IRQ function.

A logic 0 applied to the external interrupt pin can latch a central processor unit (CPU) interrupt request. [Figure 8-1](#) shows the structure of the IRQ module.

Interrupt signals on the $\overline{\text{IRQ}}$ pin are latched into the IRQ latch. An interrupt latch remains set until one of the following actions occurs:

- Vector fetch — A vector fetch automatically generates an interrupt acknowledge signal that clears the latch that caused the vector fetch.
- Software clear — Software can clear an interrupt latch by writing to the appropriate acknowledge bit in the interrupt status and control register (INTSCR). Writing a 1 to the ACK bit clears the IRQ latch.
- Reset — A reset automatically clears the interrupt latch.

The external interrupt pin is falling-edge triggered and is software-configurable to be either falling-edge or falling-edge and low-level triggered. The MODE bit in the INTSCR controls the triggering sensitivity of the $\overline{\text{IRQ}}$ pin.

When an interrupt pin is edge-triggered only, the interrupt remains set until a vector fetch, software clear, or reset occurs.

External Interrupt (IRQ)

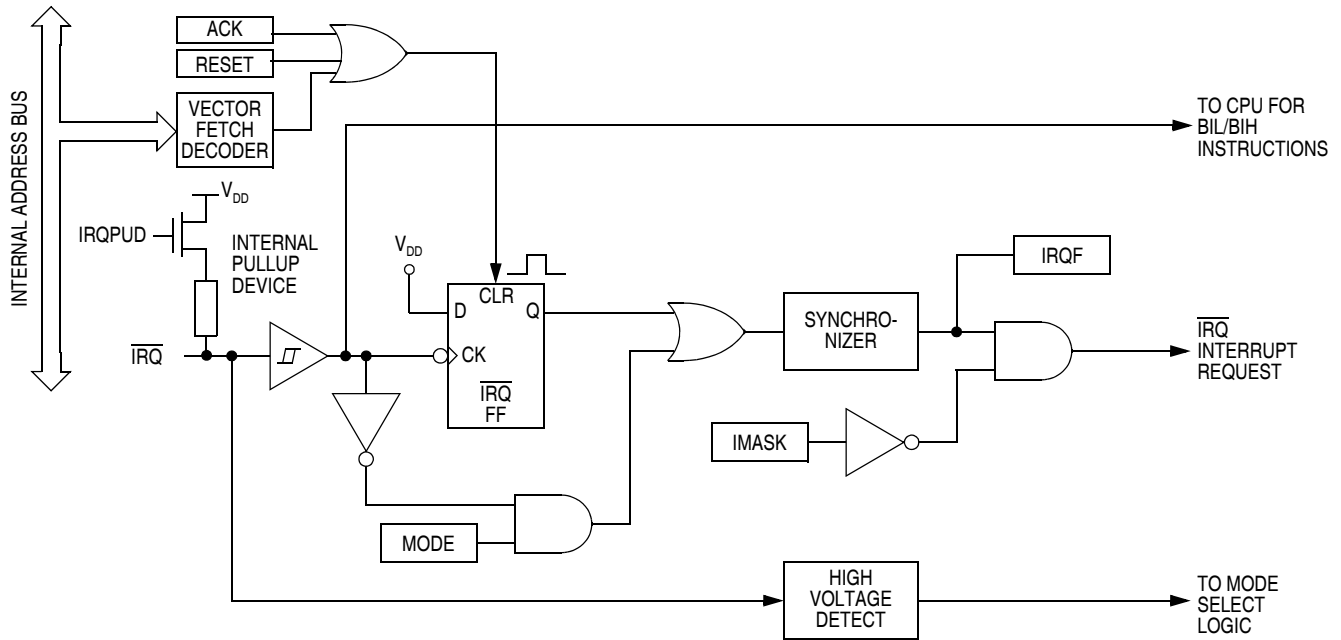


Figure 8-1. IRQ Module Block Diagram

When an interrupt pin is both falling-edge and low-level triggered, the interrupt remains set until both of these events occur:

- Vector fetch or software clear
- Return of the interrupt pin to logic 1

The vector fetch or software clear may occur before or after the interrupt pin returns to logic 1. As long as the pin is low, the interrupt request remains pending. A reset will clear the latch and the MODE control bit, thereby clearing the interrupt even if the pin stays low.

When set, the IMASK bit in the INTSCR masks all external interrupt requests. A latched interrupt request is not presented to the interrupt priority logic unless the IMASK bit is clear.

NOTE

The interrupt mask (I) in the condition code register (CCR) masks all interrupt requests, including external interrupt requests.

Addr.	Register Name		Bit 7	6	5	4	3	2	1	Bit 0
\$001D	IRQ Status and Control Register (INTSCR) See page 84.	Read:	0	0	0	0	IRQF	0	IMASK	MODE
		Write:						ACK		
		Reset:	0	0	0	0	0	0	0	0

■ = Unimplemented

Figure 8-2. IRQ I/O Register Summary

8.4 $\overline{\text{IRQ}}$ Pin

A logic 0 on the $\overline{\text{IRQ}}$ pin can latch an interrupt request into the IRQ latch. A vector fetch, software clear, or reset clears the IRQ latch.

If the MODE bit is set, the $\overline{\text{IRQ}}$ pin is both falling-edge-sensitive and low-level-sensitive. With MODE set, both of the following actions must occur to clear IRQ:

- Vector fetch or software clear — A vector fetch generates an interrupt acknowledge signal to clear the latch. Software may generate the interrupt acknowledge signal by writing a 1 to the ACK bit in the interrupt status and control register (INTSCR). The ACK bit is useful in applications that poll the $\overline{\text{IRQ}}$ pin and require software to clear the IRQ latch. Writing to the ACK bit prior to leaving an interrupt service routine can also prevent spurious interrupts due to noise. Setting ACK does not affect subsequent transitions on the $\overline{\text{IRQ}}$ pin. A falling edge that occurs after writing to the ACK bit latches another interrupt request. If the IRQ mask bit, IMASK, is clear, the CPU loads the program counter with the vector address at locations \$FFFA and \$FFFB.
- Return of the $\overline{\text{IRQ}}$ pin to logic 1 — As long as the $\overline{\text{IRQ}}$ pin is at logic 0, IRQ remains active.

The vector fetch or software clear and the return of the $\overline{\text{IRQ}}$ pin to logic 1 may occur in any order. The interrupt request remains pending as long as the $\overline{\text{IRQ}}$ pin is at logic 0. A reset will clear the latch and the MODE control bit, thereby clearing the interrupt even if the pin stays low.

If the MODE bit is clear, the $\overline{\text{IRQ}}$ pin is falling-edge-sensitive only. With MODE clear, a vector fetch or software clear immediately clears the IRQ latch.

The IRQF bit in the INTSCR register can be used to check for pending interrupts. The IRQF bit is not affected by the IMASK bit, which makes it useful in applications where polling is preferred.

Use the BIH or BIL instruction to read the logic level on the $\overline{\text{IRQ}}$ pin.

NOTE

If the IRQ function is not enabled for pin PTC2/SHTDWN/IRQ, BIL and BIH instructions will always read a logic 1 value.

When using the level-sensitive interrupt trigger, avoid false interrupts by masking interrupt requests in the interrupt routine.

An internal pullup resistor to V_{DD} is connected to the $\overline{\text{IRQ}}$ pin; this can be disabled by setting the IRQPUD bit in the CONFIG2 register (\$001E).

8.5 IRQ Module During Break Interrupts

The BCFE bit in the SIM break flag control register (SBFCR) enables software to clear the latch during the break state. See [19.2 Break Module \(BRK\)](#).

To allow software to clear the IRQ latch during a break interrupt, write a 1 to the BCFE bit. If a latch is cleared during the break state, it remains cleared when the MCU exits the break state.

To protect CPU interrupt flags during the break state, write a 0 to the BCFE bit. With BCFE at 0 (its default state), writing to the ACK bit in the IRQ status and control register during the break state has no effect on the IRQ interrupt flags.

8.6 IRQ Status and Control Register

The IRQ status and control register (INTSCR) controls and monitors operation of the IRQ module. The INTSCR:

- Shows the state of the IRQ flag
- Clears the IRQ latch
- Masks IRQ interrupt request

External Interrupt (IRQ)

- Controls triggering sensitivity of the $\overline{\text{IRQ}}$ interrupt pin

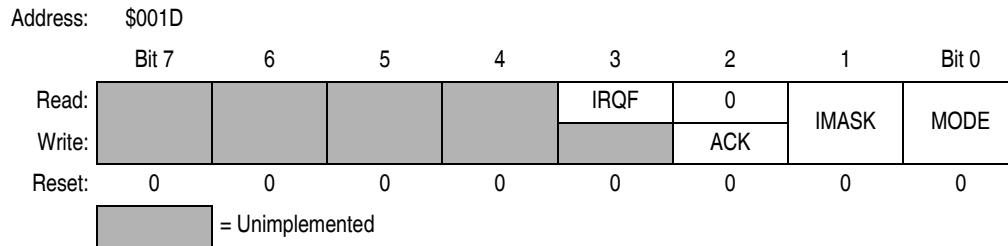


Figure 8-3. IRQ Status and Control Register (INTSCR)

IRQF — IRQ Flag Bit

This read-only status bit is high when the IRQ interrupt is pending.

1 = $\overline{\text{IRQ}}$ interrupt pending

0 = $\overline{\text{IRQ}}$ interrupt not pending

ACK — IRQ Interrupt Request Acknowledge Bit

Writing a 1 to this write-only bit clears the IRQ latch. ACK always reads as 0. Reset clears ACK.

IMASK — IRQ Interrupt Mask Bit

Writing a 1 to this read/write bit disables IRQ interrupt requests. Reset clears IMASK.

1 = IRQ interrupt requests disabled

0 = IRQ interrupt requests enabled

MODE — IRQ Edge/Level Select Bit

This read/write bit controls the triggering sensitivity of the $\overline{\text{IRQ}}$ pin. Reset clears MODE.

1 = $\overline{\text{IRQ}}$ interrupt requests on falling edges and low levels

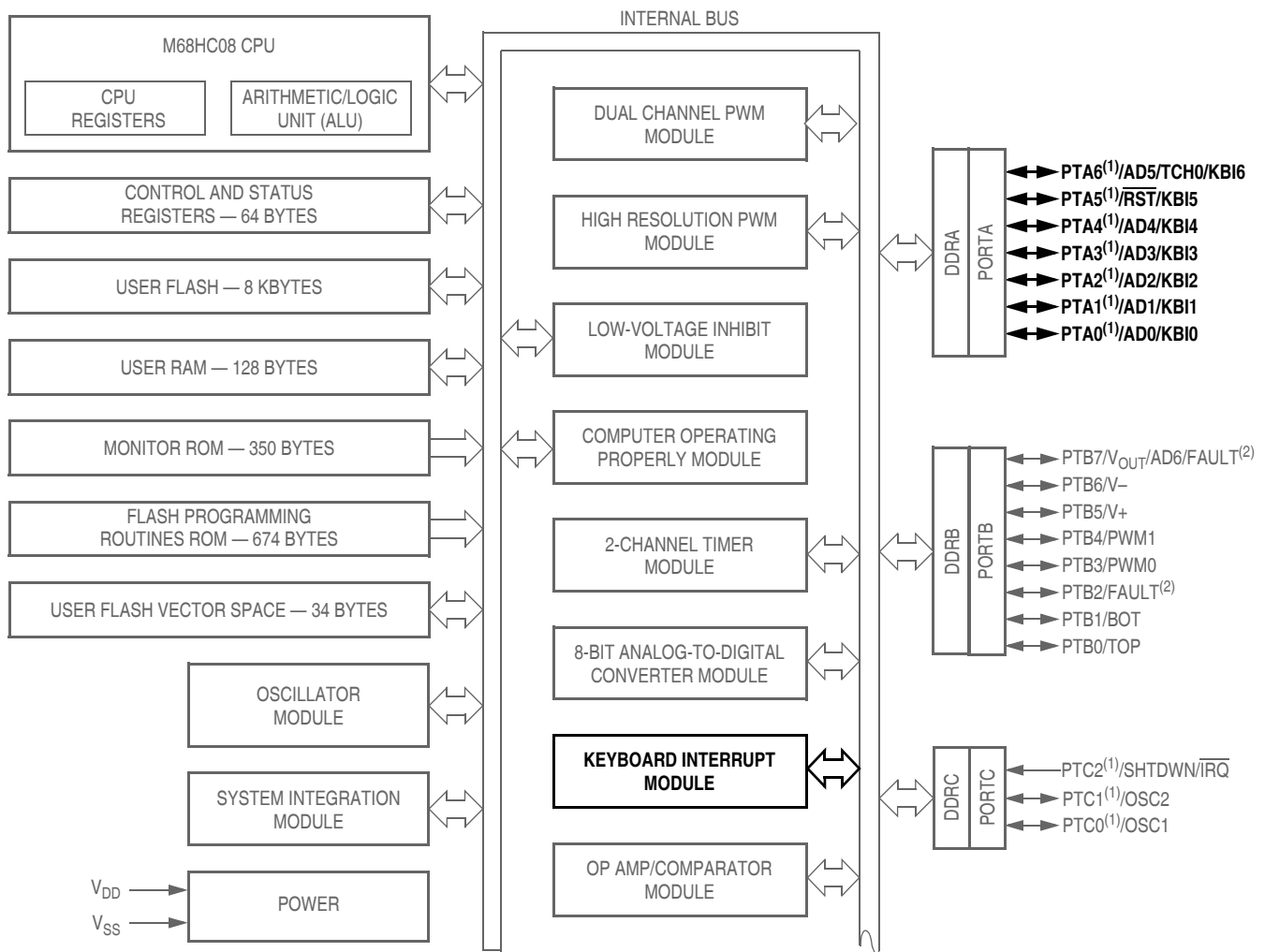
0 = $\overline{\text{IRQ}}$ interrupt requests on falling edges only

Chapter 9

Keyboard Interrupt Module (KBI)

9.1 Introduction

The keyboard interrupt module (KBI) provides seven independently maskable external interrupts which are accessible via PTA0–PTA6. When a port pin is enabled for keyboard interrupt function, an internal pullup device is also enabled on the pin.



Notes:

1. Pin contains integrated pullup device.
2. Fault function switchable between pins PTB2 and PTB7.

Figure 9-1. Block Diagram Highlighting KBI Block and Pins

9.2 Features

Features include:

- Seven keyboard interrupt pins with separate keyboard interrupt enable bits and one keyboard interrupt mask
- Hysteresis buffers
- Programmable edge-only or edge- and level- interrupt sensitivity
- Exit from low-power modes
- I/O (input/output) port bit(s) software configurable with pullup device(s) if configured as input port bit(s)

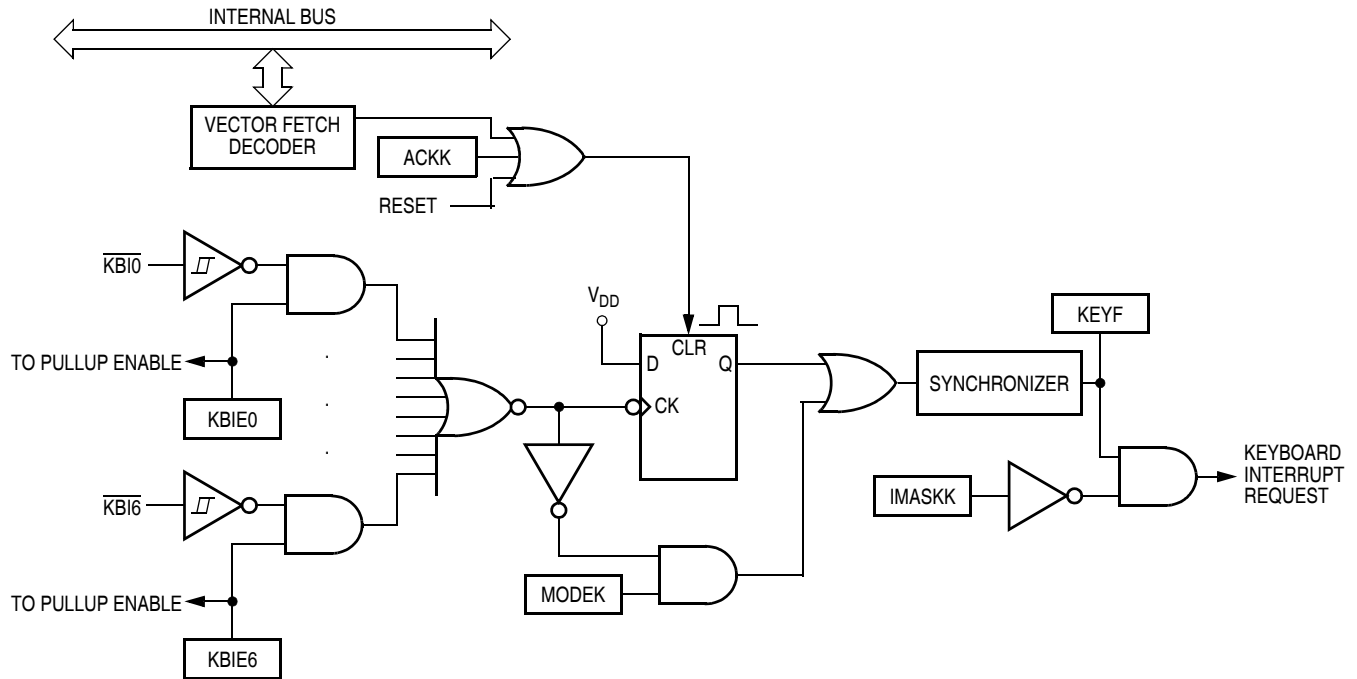


Figure 9-2. Keyboard Module Block Diagram

Addr.	Register Name	Bit 7	6	5	4	3	2	1	Bit 0	
\$001A	Keyboard Status and Control Register (INTKBSCR) See page 89.	Read:	0	0	0	0	KEYF	0	IMASKK	MODEK
		Write:								
		Reset:	0	0	0	0	0	0	0	0
\$001B	Keyboard Interrupt Enable Register (INTKBIER) See page 90.	Read:								
		Write:								
		Reset:	0	0	0	0	0	0	0	0

= Unimplemented

Figure 9-3. I/O Register Summary

9.3 Functional Description

Writing to the KBIE6–KBIE0 bits in the keyboard interrupt enable register independently enables or disables each port A pin as a keyboard interrupt pin. Enabling a keyboard interrupt pin also enables its internal pullup device. A logic 0 applied to an enabled keyboard interrupt pin latches a keyboard interrupt request. A keyboard interrupt is latched when one or more keyboard pins goes low after all were high. The MODEK bit in the keyboard status and control register controls the triggering mode of the keyboard interrupt.

- If the keyboard interrupt is edge-sensitive only, a falling edge on a keyboard pin does not latch an interrupt request if another keyboard pin is already low. To prevent losing an interrupt request on one pin because another pin is still low, software can disable the latter pin while it is low.
- If the keyboard interrupt is falling edge- and low-level sensitive, an interrupt request is present as long as any keyboard interrupt pin is low and the pin is keyboard interrupt enabled.

If the MODEK bit is set, the keyboard interrupt pins are both falling edge- and low-level sensitive, and both of the following actions must occur to clear a keyboard interrupt request:

- Vector fetch or software clear — A vector fetch generates an interrupt acknowledge signal to clear the interrupt request. Software may generate the interrupt acknowledge signal by writing a 1 to the ACKK bit in the keyboard status and control register (INTKBSCR). The ACKK bit is useful in applications that poll the keyboard interrupt pins and require software to clear the keyboard interrupt request. Writing to the ACKK bit prior to leaving an interrupt service routine can also prevent spurious interrupts due to noise. Setting ACKK does not affect subsequent transitions on the keyboard interrupt pins. A falling edge that occurs after writing to the ACKK bit latches another interrupt request. If the keyboard interrupt mask bit, IMASKK, is clear, the CPU loads the program counter with the vector address at locations \$FFE0 and \$FFE1.
- Return of all enabled keyboard interrupt pins to logic 1 — As long as any enabled keyboard interrupt pin is at logic 0, the keyboard interrupt remains set.

The vector fetch or software clear and the return of all enabled keyboard interrupt pins to logic 1 may occur in any order.

If the MODEK bit is clear, the keyboard interrupt pin is falling-edge-sensitive only. With MODEK clear, a vector fetch or software clear immediately clears the keyboard interrupt request.

Reset clears the keyboard interrupt request and the MODEK bit, clearing the interrupt request even if a keyboard interrupt pin stays at logic 0.

The keyboard flag bit (KEYF) in the keyboard status and control register can be used to see if a pending interrupt exists. The KEYF bit is not affected by the keyboard interrupt mask bit (IMASKK) which makes it useful in applications where polling is preferred.

To determine the logic level on a keyboard interrupt pin, use the data direction register to configure the pin as an input and read the data register.

NOTE

Setting a keyboard interrupt enable bit (KBIE_x) forces the corresponding keyboard interrupt pin to be an input, overriding the data direction register. However, the data direction register bit must be a 0 for software to read the pin.

9.4 Keyboard Initialization

When a keyboard interrupt pin is enabled, it takes time for the internal pullup to reach a logic 1. Therefore, a false interrupt can occur as soon as the pin is enabled.

To prevent a false interrupt on keyboard initialization:

1. Mask keyboard interrupts by setting the IMASKK bit in the keyboard status and control register.
2. Enable the KBI pins by setting the appropriate KBIEx bits in the keyboard interrupt enable register.
3. Write to the ACKK bit in the keyboard status and control register to clear any false interrupts.
4. Clear the IMASKK bit.

An interrupt signal on an edge-triggered pin can be acknowledged immediately after enabling the pin. An interrupt signal on an edge- and level-triggered interrupt pin must be acknowledged after a delay that depends on the external load.

Another way to avoid a false interrupt:

1. Configure the keyboard pins as outputs by setting the appropriate DDRA bits in data direction register A.
2. Write 1s to the appropriate port A data register bits.
3. Enable the KBI pins by setting the appropriate KBIEx bits in the keyboard interrupt enable register.

9.5 Low-Power Modes

The WAIT and STOP instructions put the microcontroller unit (MCU) in low power-consumption standby modes.

9.5.1 Wait Mode

The keyboard module remains active in wait mode. Clearing the IMASKK bit in the keyboard status and control register enables keyboard interrupt requests to bring the MCU out of wait mode.

9.5.2 Stop Mode

The keyboard module remains active in stop mode. Clearing the IMASKK bit in the keyboard status and control register enables keyboard interrupt requests to bring the MCU out of stop mode.

9.6 Keyboard Module During Break Interrupts

The system integration module (SIM) controls whether the keyboard interrupt latch can be cleared during the break state. The BCFE bit in the SIM break flag control register (SBFCR) enables software to clear status bits during the break state.

To allow software to clear the keyboard interrupt latch during a break interrupt, write a 1 to the BCFE bit. If a latch is cleared during the break state, it remains cleared when the MCU exits the break state.

To protect the latch during the break state, write a 0 to the BCFE bit. With BCFE at 0 (its default state), writing to the keyboard acknowledge bit (ACKK) in the keyboard status and control register during the break state has no effect. See [9.7.1 Keyboard Status and Control Register](#).

9.7 I/O Registers

These registers control and monitor operation of the keyboard module:

- Keyboard status and control register (INTKBSCR)
- Keyboard interrupt enable register (INTKBIER)

9.7.1 Keyboard Status and Control Register

The keyboard status and control register:

- Flags keyboard interrupt requests
- Acknowledges keyboard interrupt requests
- Masks keyboard interrupt requests
- Controls keyboard interrupt triggering sensitivity

Address: \$001A

	Bit 7	6	5	4	3	2	1	Bit 0
Read:	0	0	0	0	KEYF	0	IMASKK	MODEK
Write:						ACKK		
Reset:	0	0	0	0	0	0	0	0

= Unimplemented

Figure 9-4. Keyboard Status and Control Register (INTKBSCR)

Bits 7–4 — Not used

These read-only bits always read as 0s.

KEYF — Keyboard Flag Bit

This read-only bit is set when a keyboard interrupt is pending. Reset clears the KEYF bit.

- 1 = Keyboard interrupt pending
- 0 = No keyboard interrupt pending

ACKK — Keyboard Acknowledge Bit

Writing a 1 to this write-only bit clears the keyboard interrupt request. ACKK always reads as 0. Reset clears ACKK.

IMASKK — Keyboard Interrupt Mask Bit

Writing a 1 to this read/write bit prevents the output of the keyboard interrupt mask from generating interrupt requests. Reset clears the IMASKK bit.

- 1 = Keyboard interrupt requests masked
- 0 = Keyboard interrupt requests not masked

MODEK — Keyboard Triggering Sensitivity Bit

This read/write bit controls the triggering sensitivity of the keyboard interrupt pins. Reset clears MODEK.

- 1 = Keyboard interrupt requests on falling edges and low levels
- 0 = Keyboard interrupt requests on falling edges only

9.7.2 Keyboard Interrupt Enable Register

The keyboard interrupt enable register enables or disables each port A pin to operate as a keyboard interrupt pin.

Keyboard Interrupt Module (KBI)

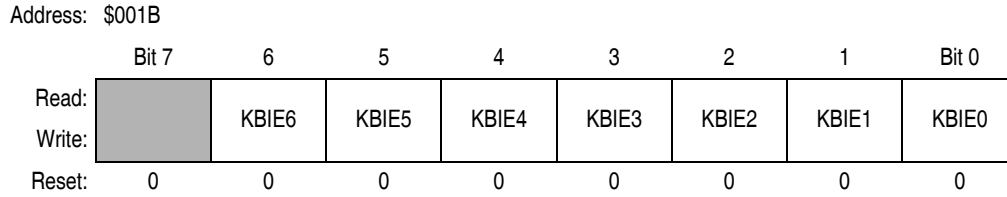


Figure 9-5. Keyboard Interrupt Enable Register (INTKBIER)

KBIE6–KBIE0 — Keyboard Interrupt Enable Bits

Each of these read/write bits enables the corresponding keyboard interrupt pin to latch interrupt requests. Reset clears the keyboard interrupt enable register.

1 = PTAx pin enabled as keyboard interrupt pin

0 = PTAx pin not enabled as keyboard interrupt pin

Chapter 10

High Resolution PWM (HRP)

10.1 Introduction

The High Resolution PWM (HRP) provides two complementary outputs that can be used to control half-bridge systems in, for example, light ballast applications. It uses a dithering control method to provide a high step resolution (3.906 ns from an 8 MHz input clock). It also provides a shutdown input that can be used to disable the outputs when a fault condition is detected in the application.

The pins supporting the HRP can be seen in [Figure 10-1](#), and a block diagram of the HRP module is shown in [Figure 10-3](#).

10.2 Features

Features of the HRP include:

- One complementary output pair for driving a half bridge
- Dithering between two frequencies or duty cycles, for increased output resolution
- Automatic calculation of second frequency or duty cycle for output dithering
- Variable frequency mode with automatic 50% duty cycle calculation
- Variable duty cycle mode
- Programmable deadtime insertion
- Shutdown input for fast disabling of outputs

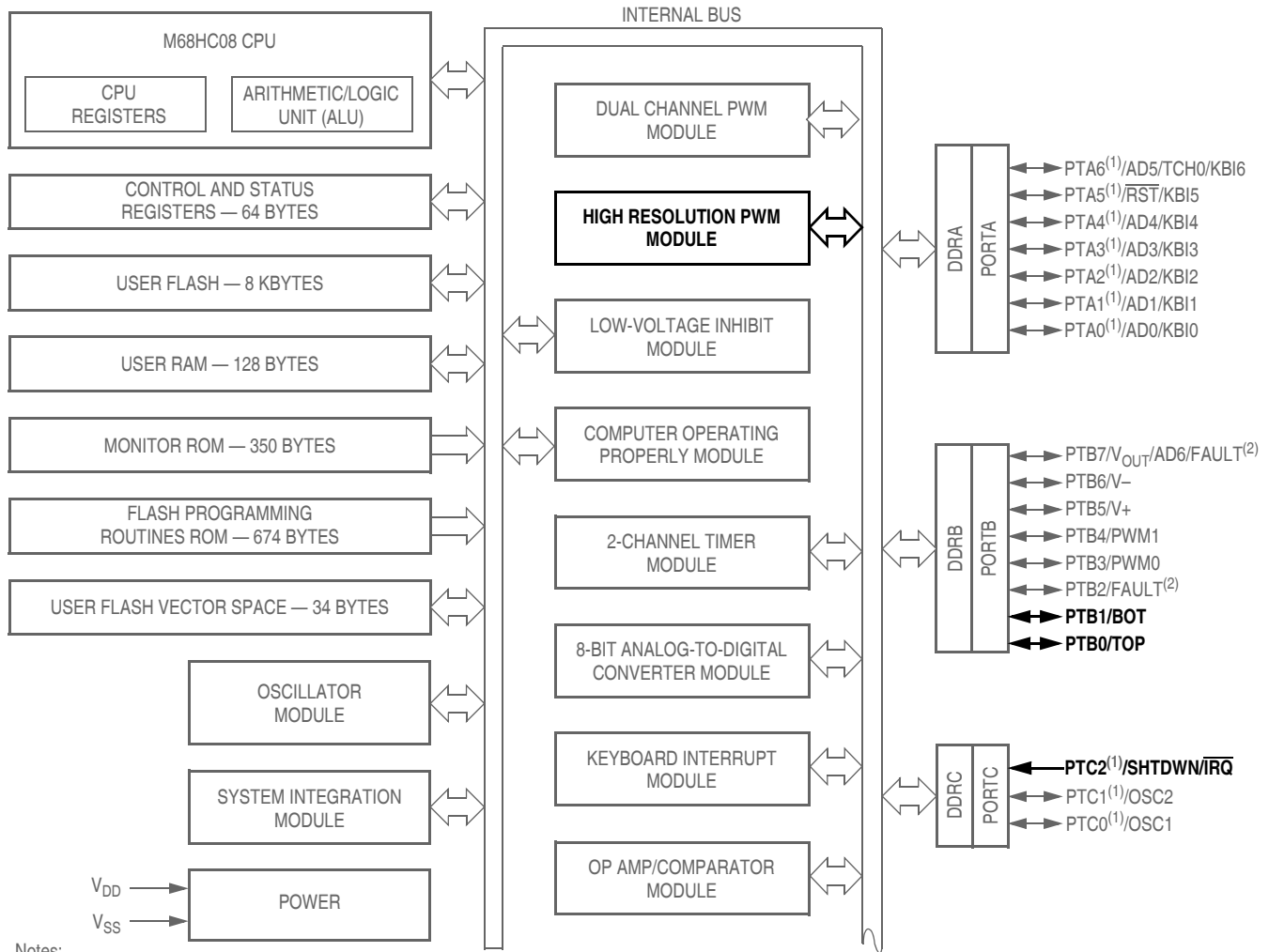
10.3 Pin Name Conventions

The HRP shares two output pins with two port B input/output (I/O) pins and one input pin with one port C input pin.

Table 10-1. Pin Naming Conventions

HRP Generic Pin Name	Full HRP Pin Name
TOP	PTB0/TOP
BOT	PTB1/BOT
SHTDWN	PTC2/SHTDWN/ $\overline{\text{IRQ}}$

High Resolution PWM (HRP)



Notes:

1. Pin contains integrated pullup device.
2. Fault function switchable between pins PTB2 and PTB7.

Figure 10-1. Block Diagram Highlighting HRP Block and Pins

NOTE

Setting the *HRPOE* bit in the *HRPCTRL* register forces the corresponding HRP output pins to be outputs, overriding the data direction register. In order to read the states of the pins, the data direction register bit must be a 0.

Setting the *SHTEN* bit in the *HRPCTRL* register forces the *SHTDWN* pin to be an input, overriding the data direction register. In order to read the state of the pin, the data direction register bit must be a 0.

Addr.	Register Name	Bit 7	6	5	4	3	2	1	Bit 0	
\$0051	HRP Control Register (HRPCTRL) See page 105.	Read:		SHTLVL	HRPOE	SHTIF	SHTIE	SHTEN	HRPMODE	HRPEN
		Write:								
		Reset:		0	0	0	0	0	0	0
\$0052	HRP Duty Cycle Register High (HRPDCH) See page 107.	Read:	DC10	DC9	DC8	DC7	DC6	DC5	DC4	DC3
		Write:								
		Reset:	0	0	0	0	0	0	0	0
\$0053	HRP Duty Cycle Register Low (HRPDCL) See page 107.	Read:	DC2	DC1	DC0	STEP4	STEP3	STEP3	STEP1	STEP0
		Write:								
		Reset:	0	0	0	0	0	0	0	0
\$0054	HRP Period Register High (HRPPERH) See page 107.	Read:	P10	P9	P8	P7	P6	P5	P4	P3
		Write:								
		Reset:	0	0	0	0	0	0	0	0
\$0055	HRP Period Register Low (HRPPERL) See page 107.	Read:	P2	P1	P0	STEP4	STEP3	STEP2	STEP1	STEP0
		Write:								
		Reset:	0	0	0	0	0	0	0	0
\$0056	HRP Deadtime Register (HRPDT) See page 108.	Read:	DT7	DT6	DT5	DT4	DT3	DT2	DT1	DT0
		Write:								
		Reset:	0	0	0	0	1	0	0	0
\$0057	HRP Timebase Register High (HRPTBH) See page 108.	Read:	TB15	TB14	TB13	TB12	TB11	TB10	TB9	TB8
		Write:								
		Reset:	0	0	0	0	0	0	0	0
\$0058	HRP Timebase Register Low (HRPTBL) See page 108.	Read:	TB7	TB6	TB5	TB4	TB3	TB2	TB1	TB0
		Write:								
		Reset:	0	0	0	0	0	0	0	0
\$0059	Frequency Dithering Control Register (HRPDCR) See page 109.	Read:					CLKSRC	SEL2	SEL1	SEL0
		Write:								
		Reset:					0	0	0	0


 = Unimplemented

Figure 10-2. HRP I/O Register Summary

NOTE

When $HRPMODE = 0$, $STEP[4:0]$ are mapped into the five least significant bits of the HRPPERL register.

When $HRPMODE = 1$, $STEP[4:0]$ are mapped into the five least significant bits of the HRPDCL register.

10.4 Functional Description

[Figure 10-3](#) provides a block diagram of the module.

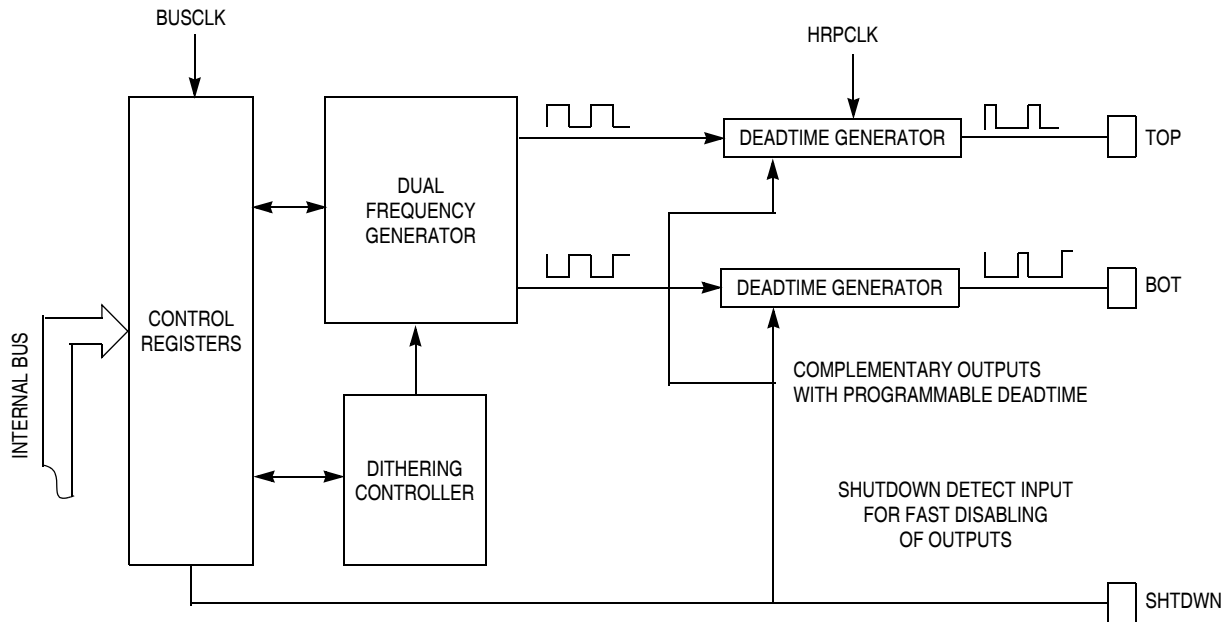


Figure 10-3. Block Diagram of High Resolution PWM (HRP)

The HRP comprises four blocks, as follows

1. A dual frequency generator, which generates a pair of complementary PWM output signals. It allows dithering between two adjacent frequencies or duty cycles to increase the resolution of the output signal. After deadtime insertion, these signals are routed to the TOP and BOT output pins
2. A dithering controller, or timebase, which sets the dithering cycle time and the percentage of time spent on each of the dithering frequencies or duty cycles.
3. Two deadtime generators, for inserting deadtime into the output signals.
4. A set of control registers

The HRP can operate in two modes.

1. Variable Frequency Mode: for variation of the output frequency at a fixed 50% duty cycle
2. Variable Duty Cycle Mode: for variation of the duty cycle at a fixed frequency.

10.4.1 The Principle of Frequency Dithering

Frequency dithering is an averaging technique, which can increase the resolution of an output signal by switching between two frequencies. By varying the time spent on each frequency, the average output frequency will be a value between the two frequencies. For example, in [Figure 10-4](#) a signal switches between 10 kHz and 20 kHz over a fixed cycle time. 30% of each cycle is spent at 20 kHz, 70% at 10 kHz. The equivalent average frequency over time is 13 kHz.

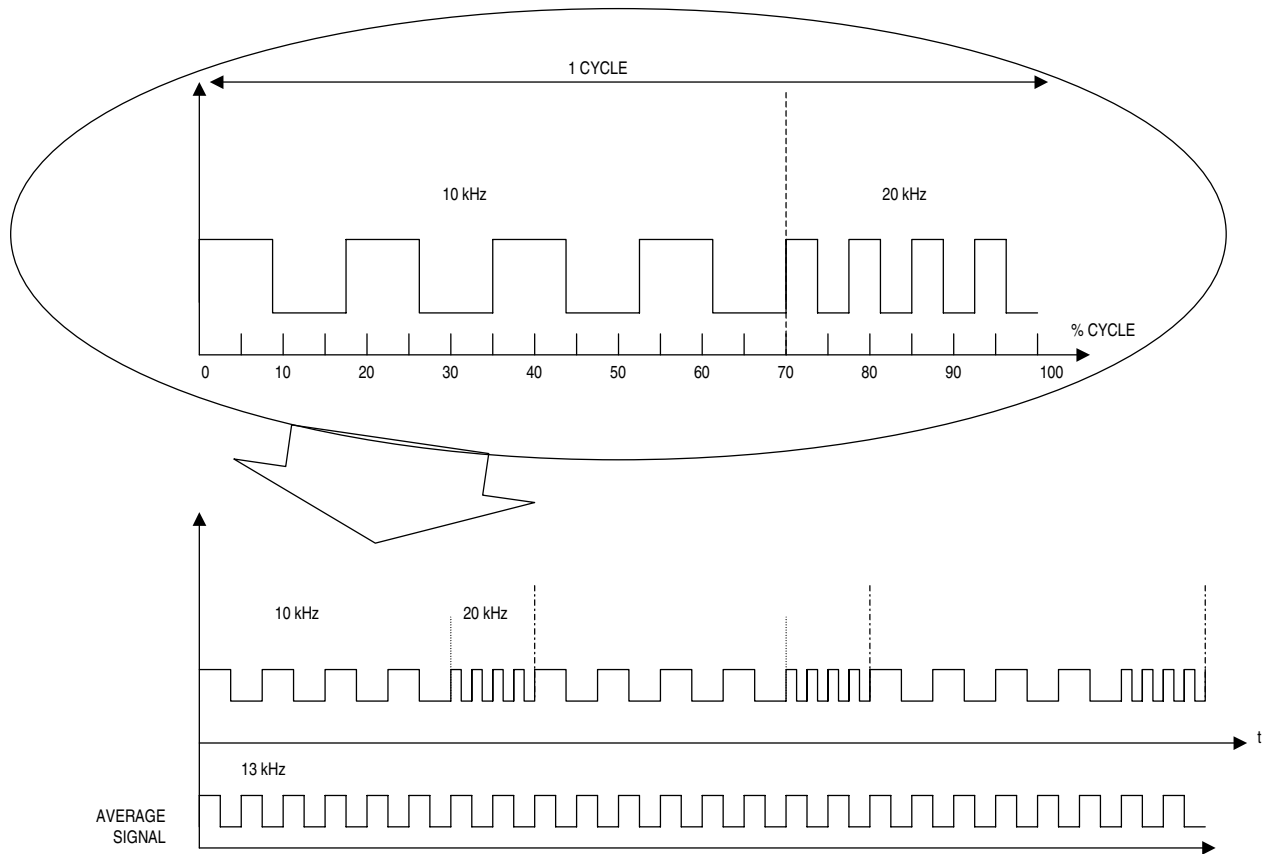


Figure 10-4. Dithering Waveforms

10.4.2 Frequency Dithering on the HRP

The HRP provides frequency dithering between two signals whose periods differ by one HRPCLK cycle. When the HRP is supplied with an 8 MHz clock, the difference between the period values is 125 ns.

The HRP provides a programmable number of dithering steps, up to a maximum of 32 steps. This results in a maximum frequency resolution of $125/32 = 3.906$ ns when using an 8 MHz clock.

Figure 10-5 shows the relationship between the two dithering frequencies and the output frequency when 32 dithering steps are chosen. In this example, the Period signal is output for 25% of the time, i.e. 8 of the 32 steps, and the Period+1 signal is output for 75% of the time, i.e. 24 of the 32 steps.

High Resolution PWM (HRP)

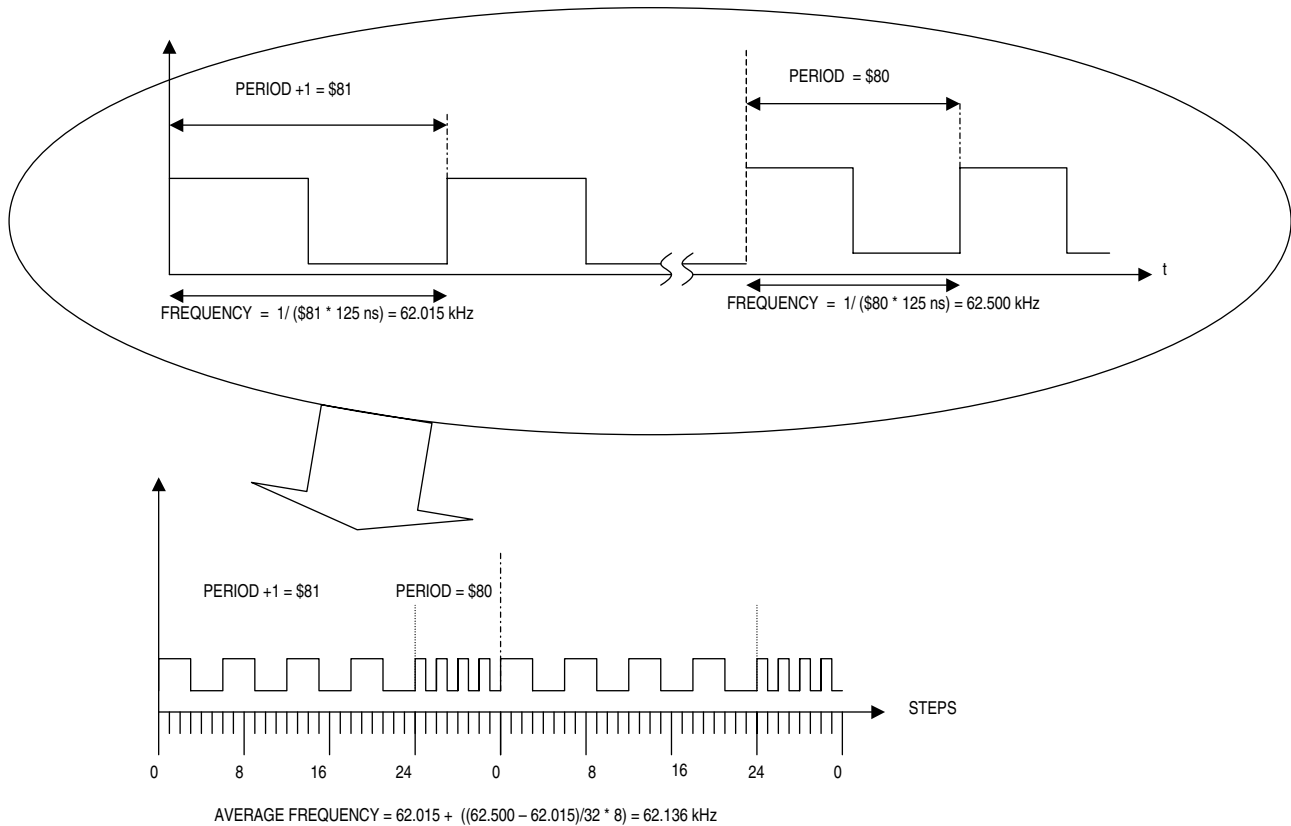


Figure 10-5. High Resolution PWM Dithering

10.4.3 Duty Cycle Dithering

As an alternative to frequency dithering, duty cycle dithering, where dithering occurs between two signals having the same frequency, but with duty cycles differing by one clock period. The HRP can perform duty cycle dithering with the same step resolution as the frequency dithering option ($125/32 = 3.906 \text{ ns}$, with an 8 MHz clock).

10.4.4 Frequency Generation

The dual frequency generator block contains a 16-bit up counter, which generates an output signal, based on the values in the period register `HRPPERH:HRPPERL` and the duty cycle register `HRPDCH:HRPDCL`. The output signal and its inverse are later fed into the deadtime generators for deadtime insertion.

Multiplexors on the inputs of the period register and the duty cycle register select between two period (`PERIOD1` and `PERIOD2`) and two duty cycle (`DUTY1` and `DUTY2`) values. The values of `PERIOD1`, `PERIOD2`, `DUTY1`, and `DUTY2` are determined by the `HRPMODE` bit in the `HRPCTRL` register and the contents of the `HRPPERH:HRPPERL` and `HRPDCH:HRPDCL` registers.

`PERIOD1` and `DUTY1` define the frequency output by the dual-frequency generator; `PERIOD2` and `DUTY2` define a second output frequency, which is automatically calculated by the HRP module.

The module switches between `PERIOD1/DUTY1` and `PERIOD2/DUTY2`.

The rate of switching is controlled by the dithering controller, and is dependent on the values of the CLKSRC bit and the SEL[2:0] bits in the HRPDCR register, the contents of the HRPTBH:HRPTBL registers, and, depending on the value of the HRPMODE bit, the five least significant bits in the HRPPERL or HRPDCL registers.

Table 10-2. HRPMODE Bit Options

HRPMODE	Mode	PERIOD1	PERIOD2	DUTY1	DUTY2
0	Variable Frequency	P[10:0]	P[10:0] +1	PERIOD1/2	PERIOD2/2
1	Variable Duty Cycle	P[10:0]	P[10:0]	DC[10:0]	DC[10:0] +1

For more detailed information, see [10.4.7 Dithering Controller](#).

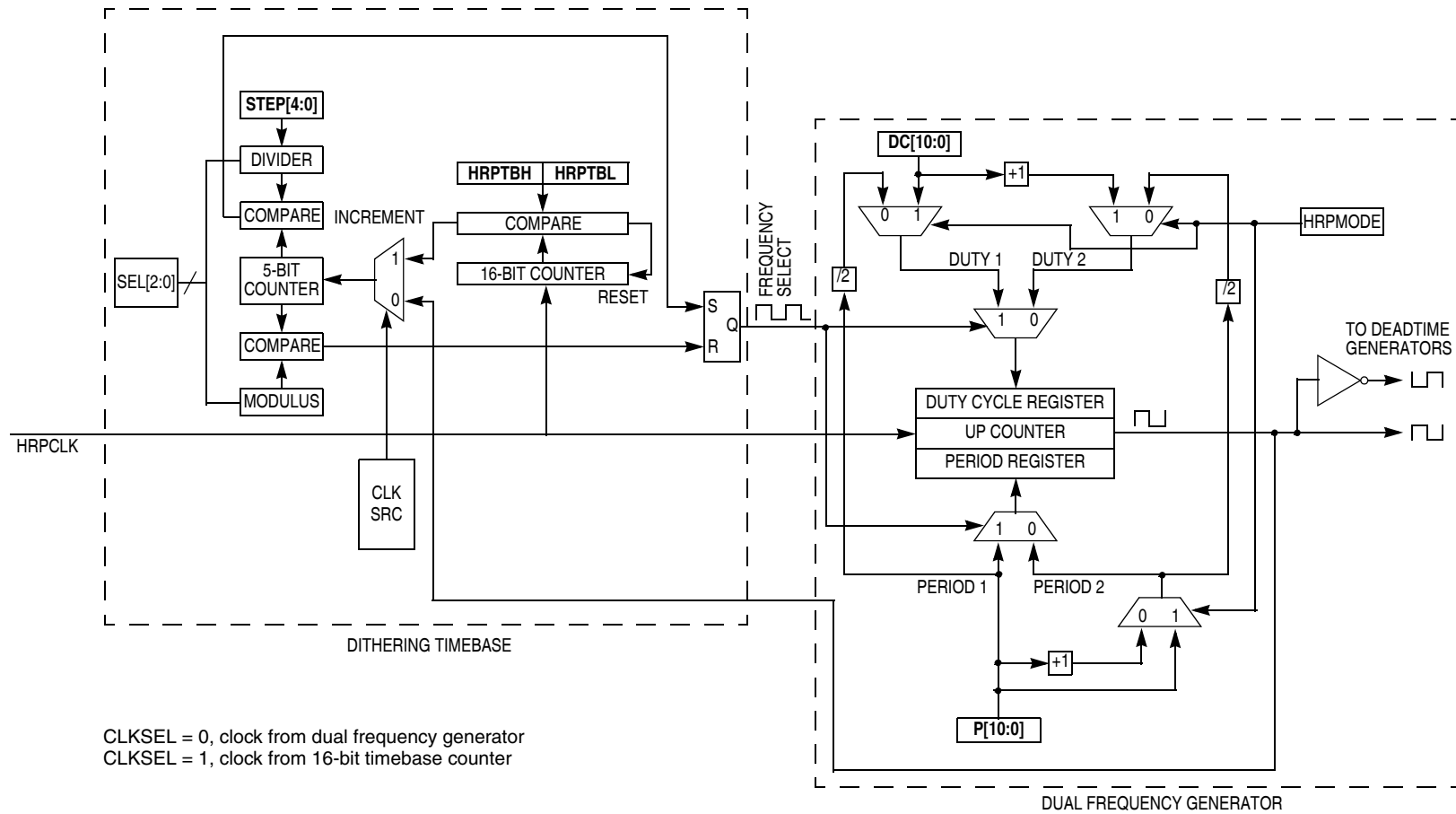


Figure 10-6. Dithering Controller and Dual Frequency Generator Block

10.4.5 Variable Frequency Mode (HRPMODE = 0)

Variable frequency mode is selected when HRPMODE = 0. In this mode the period of the output signal can be varied, while keeping the duty cycle fixed at 50%.

PERIOD1, PERIOD2, DUTY1, and DUTY2 are calculated from bits P[10:0] in registers HRPPERH:HRPPERL to produce two frequencies having periods differing by one clock cycle but both with 50% duty cycles. [Table 10-2](#) lists the period and duty cycle values based on the HRPMODE bit.

The scaled value in STEP[4:0] (the five least significant bits of HRPPERH:HRPPERL) specifies how many of the selected number of steps are spent on the longer period (PERIOD2). For more detailed information, see [10.4.7 Dithering Controller](#).

The formula for calculating the average output period in variable frequency mode (including dithering) is:

$$\text{Output Period (seconds)} = \frac{P[10:0]}{HRPCLK} + \frac{\text{INT}\left(\frac{\text{STEP}[4:0]}{2^{\text{SEL}[2:0]}}\right)}{\frac{32}{2^{\text{SEL}[2:0]}} \times HRPCLK} \quad (\text{EQ 10-1})$$

where the function INT() represents the integer part of the operand, and $2^{\text{SEL}[2:0]}$ is the STEP[4:0] scaling factor.

In Variable Frequency Mode, the individual periods and duty cycles are given by:

$$\text{PERIOD1} = \frac{P[10:0]}{HRPCLK} \quad (\text{EQ 10-2})$$

$$\text{DUTY1} = \frac{\text{PERIOD1}}{2} = 50\% \text{ duty cycle} \quad (\text{EQ 10-3})$$

$$\text{PERIOD2} = \frac{P[10:0] + 1}{HRPCLK} \quad (\text{EQ 10-4})$$

$$\text{DUTY2} = \frac{\text{PERIOD2}}{2} = 50\% \text{ duty cycle} \quad (\text{EQ 10-5})$$

10.4.6 Variable Duty Cycle Mode (HRPMODE = 1)

Variable duty cycle mode is selected when HRPMODE = 1. This mode allows dithering to be achieved by varying the duty cycle of the output waveform while keeping the period fixed.

In this mode, the period of both PERIOD1 and PERIOD2 are identical. DUTY2 is automatically set to DUTY1 + 1. This provides two signals with the same frequency but with duty cycles differing by one bus clock cycle. Dithering between these two signals can increase the resolution of the output by a factor of up to 32.

The scaled value in STEP[4:0] (the five least significant bits of HRPDCH:HRPDCL) specifies how many of the selected number of steps are spent on the longer duty cycle, DUTY2.

For more detailed information, see [10.4.7 Dithering Controller](#).

High Resolution PWM (HRP)

The formula for calculating the output duty cycle in variable duty cycle mode is:

$$\text{Output Duty Cycle} = \frac{\text{DC}[10:0]}{\text{HRPCLK}} + \frac{\text{INT}\left(\frac{\text{STEP}[4:0]}{2^{\text{SEL}[2:0]}}\right)}{\frac{32}{2^{\text{SEL}[2:0]}} \text{HRPCLK}} \quad (\text{EQ 10-6})$$

where $2^{\text{SEL}[2:0]}$ is the STEP[4:0] scaling factor.

In Variable Duty Cycle Mode, the individual periods and duty cycles are given by:

$$\text{PERIOD1} = \frac{\text{P}[10:0]}{\text{HRPCLK}} \quad (\text{EQ 10-7})$$

$$\text{DUTY1} = \text{DC}[10:0] \quad (\text{EQ 10-8})$$

$$\text{PERIOD2} = \text{PERIOD1} = \frac{\text{P}[10:0]}{\text{HRPCLK}} \quad (\text{EQ 10-9})$$

$$\text{DUTY2} = \text{DUTY1} + 1 = \text{DC}[10:0] + 1 \quad (\text{EQ 10-10})$$

10.4.7 Dithering Controller

The dithering controller consists of a 5-bit counter with programmable modulus. The counter contents are compared with a scaled version of the STEP[4:0] bits.

The modulus value (i.e., the total number of steps) and the STEP[4:0] scaling factor are set by the SEL bits in the HRP configuration register. [Table 10-3](#) lists the available options. Note that the scaling of the STEP[4:0] bits is linked to the modulus value. For example, if a modulus of 32 is chosen, STEP[4:0] is not scaled (32 steps of dithering are available). If a modulus of 16 is chosen, STEP[4:0] is divided by 2, so that only 16 steps of dithering are available.

Table 10-3. Number of Steps and Step Scaling

SEL	Number of Steps	Divide STEP[4:0] by...
0	32	1
1	16	2
2	8	4
3	4	8
4	2	16
5	0	32
6	Reserved	Reserved
7	Reserved	Reserved

For example, if you decide to have 16 steps (SEL = 1) instead of the maximum of 32, and you set STEP[4:0] equal to 23, then the scaled value of STEP will be 11 (i.e., the integer part of 23 divided by 2). If you decide to have 4 steps instead of 32, the scaled value of 23 would be 2 (the integer part of 23 divided by 8).

STEP[4:0] is read from register HRPPERL (if HRPMODE = 0) or from register HRPDCL (if HRPMODE = 1). See [10.4.4 Frequency Generation](#) for more detailed information on the HRPMODE bit. Thus, by varying the value of STEP[4:0], the programmer can vary the output signal.

10.4.8 Dithering Controller Timebase

The 5-bit counter may be clocked from the dual frequency generator counter or from a 16-bit timebase. The clock source is selected by the CLKSRC bit in the HRPDCR register.

Clocking from the dual frequency generator sets the timebase for each dithering step equal to the period of the HRP output waveform.

Clocking from the 16-bit timebase allows longer or shorter timebases to be used. This allows the system designer to set the switching frequency to a certain value, to avoid undesirable harmonics or beat frequencies.

[Table 10-4](#) shows the clock options and corresponding timebase values.

Table 10-4. Dithering Timebase Options

CLKSEL	Clock Source	Timebase
0	Dual Frequency Generator	$\frac{P(10:0)}{HRPCLK}$
1	16 bit timebase	$\frac{HRPTBH:HRPTBL}{HRPCLK}$

10.4.9 Deadtime Insertion

The deadtime generators receive the two output signals TOP and BOT from the dual frequency generator block.

Deadtime is incorporated into these signals on each positive edge by delaying the positive edge for a number of clock cycles. The number of clock cycles is equal to the value in the 8-bit HRP Deadtime register HRPDT. [Figure 10-7](#) shows the relationship between the TOP and BOT input signals to the deadtime generators, the HRPDT register contents, and the outputs from the deadtime generators.

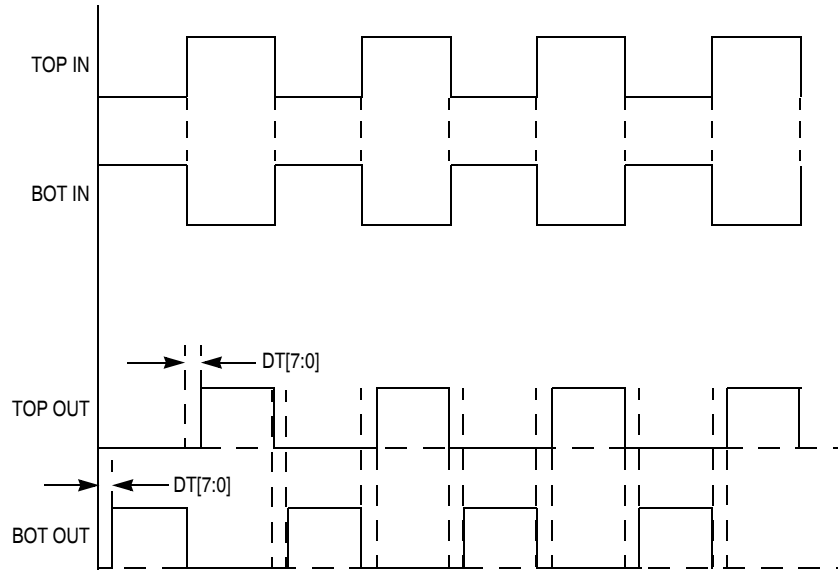


Figure 10-7. Deadtime Insertion Waveforms

NOTE

Care must be taken when setting the duty cycle and deadtime values to ensure that a PWM signal appears on both TOP and BOT when using the module to control a half bridge. It is possible to configure the HRP to output a continuous logic 0 on TOP or BOT.

If the deadtime is equal to or greater than the duty cycle value, the BOT output will remain at logic 0, while TOP will output a PWM signal. (See [Figure 10-8.](#)) The duty cycle refers to the high level on BOT.

Similarly, if the deadtime is equal to or greater than the period minus the duty cycle value, the TOP output will remain at logic 0, while BOT will output a PWM signal. (See [Figure 10-9.](#))

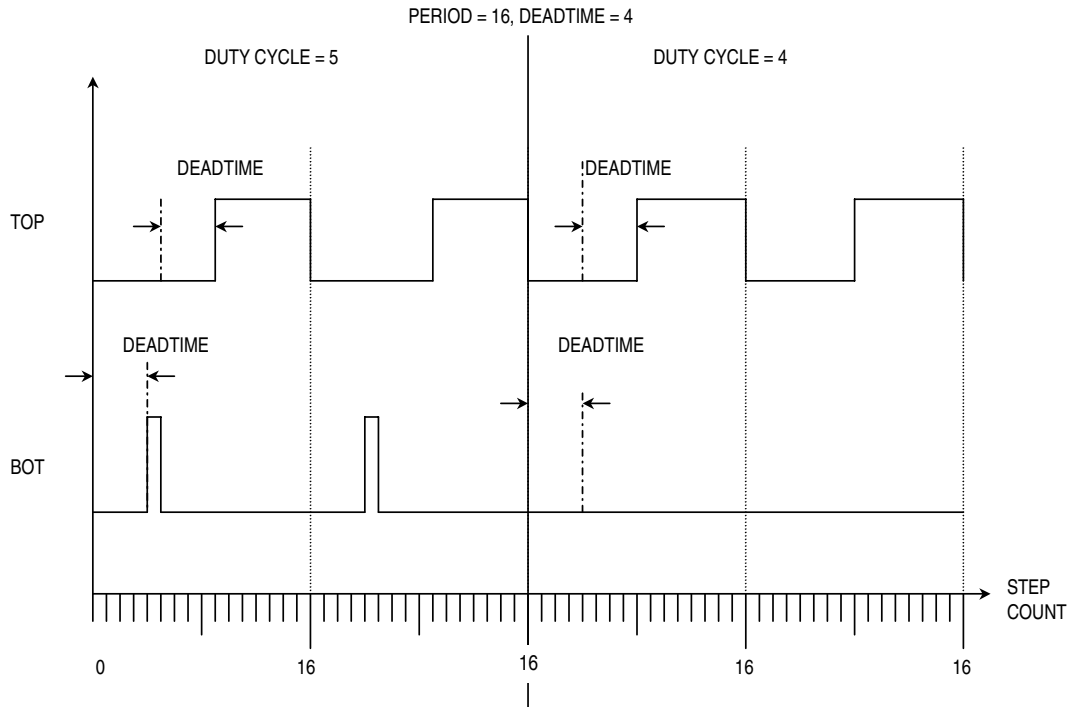


Figure 10-8. Deadtime Equal to or Greater Than Duty Cycle

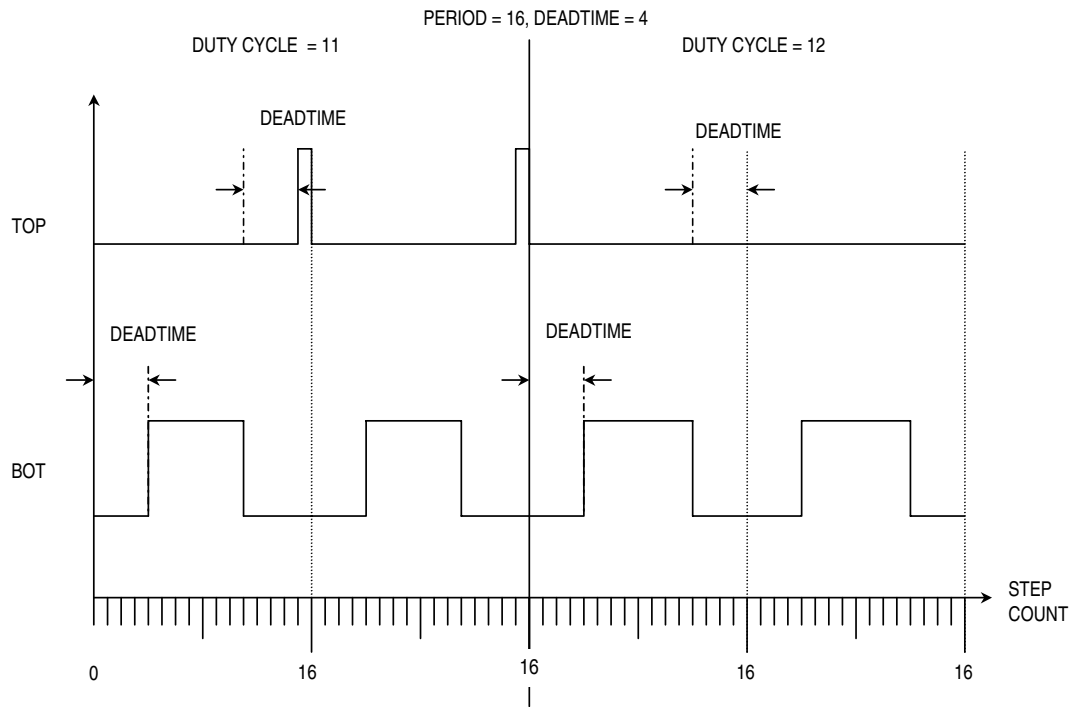


Figure 10-9. Deadtime Equal to or Less Than Period Minus Duty Cycle

10.5 Interrupts

Setting bits SHTIE and SHTEN SHTIF in the HRP control register (HRPCTRL) configures the SHTDWN input to generate a CPU interrupt on detection of a falling edge or a low-level on the SHTDWN pin. The interrupt remains set until both of these events occur:

- The interrupt flag, SHTIF, is cleared. SHTIF is cleared by writing a logic 0 to bit SHTIF in the HRPCTRL register.
- Return of the SHTDWN pin to logic 1

NOTE

While the SHTDWN pin remains low, the interrupt request remains pending.

10.6 Low-Power Modes

10.6.1 Wait Mode

The WAIT instruction puts the MCU in low power consumption standby mode. The HRP remains active after the execution of a WAIT instruction. In Wait mode, the HRP registers are not accessible by the CPU. Any enabled CPU interrupt request from the HRP can bring the MCU out of Wait mode. If HRP functions are not required during Wait mode, reduce power consumption by disabling the HRP before executing the WAIT instruction.

10.6.2 Stop Mode

The HRP is inactive after the execution of a STOP instruction. The TOP and BOT outputs are both set to logic 0 after execution of the STOP instruction. Entering Stop mode causes the HRPEN bit in the HRPCTRL register to be set to 0. When the MCU exits Stop mode after an external interrupt, the HRP resumes operation.

NOTE

The HRP shutdown pin remains active during Stop mode.

10.7 HRP During Break Interrupts

The system integration module (SIM) controls whether status bits in other modules can be cleared during the break state. The BCFE bit in the break flag control register (BFCR) enables software to clear status bits during the break state. See [19.2.2.5 Break Flag Control Register](#).

To allow software to clear status bits during a break interrupt, write a 1 to the BCFE bit. If a status bit is cleared during the break state, it remains cleared when the MCU exits the break state. To protect status bits during the break state, write a 0 to the BCFE bit. With BCFE at 0 (its default state), software can read and write I/O registers during the break state without affecting status bits. Some status bits have a two-step read/write clearing procedure. If software does the first step on such a bit before the break, the bit cannot change during the break state as long as BCFE is at 0. After the break, doing the second step clears the status bit.

10.7.1 Input/Output Signals

Port B shares two of its pins with the HRP. The two output pins are PTB0/TOP and PTB1/BOT. Port C shares one of its pins (PTC2/SHTDWN/IRQ) with the HRP.

10.8 HRP Registers

The following registers control and monitor operation of the HRP:

- HRP control register (HRPCTRL)
- HRP duty cycle registers (HRPDCH:HRPDCL)
- HRP period registers (HRPPERH:HRPPERL)
- HRP deadtime register (HRPDT)
- HRP timebase registers (HRPTBH:HRPTBL)

10.8.1 HRP Control Register

The HRPCTRL register does the following:

- Enables the HRP
- Controls the operating mode of the HRP
- Enables the SHTDWN, TOP, and BOT pins
- Enables interrupt functionality for the SHTDWN pin

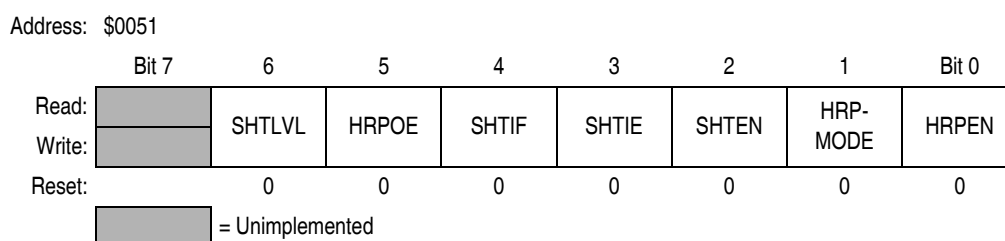


Figure 10-10. HRP Control Register (HRPCTRL)

SHTLVL — SHTDWN Pin Level

This read-only bit contains the current logic level of the SHTDWN pin. Reset clears the SHTLVL bit.

HRPOE — HRP Output Enable

This read/write bit enables/disables the TOP and BOT output pins.

1 = Pins PTB0/TOP and PTB1/BOT function as TOP and BOT outputs from the HRP module. The contents of the port B data and data direction registers do not affect these pins.

0 = Pins PTB0/TOP and PTB1/BOT function as PTB0 and PTB1 general-purpose I/O pins. The state of these pins is controlled by the port B data and data direction registers.

SHTIF — SHTDWN Interrupt Flag

This read/write bit is set when a falling edge or a low level is detected on the SHTDWN pin. Reset clears the SHTIF bit. Writing 0 to SHTIF clears the bit.

1 = SHTDWN pin interrupt pending

0 = No SHTDWN pin interrupt pending

SHTIE — SHTDWN Interrupt Enable

This read/write bit enables HRP CPU interrupt service requests for the SHTDWN pin. Reset clears the SHTIE bit.

1 = SHTDWN CPU interrupt requests enabled

0 = SHTDWN CPU interrupt requests disabled

SHTEN — Shutdown Pin Enable

High Resolution PWM (HRP)

This read/write bit enables the SHTDWN functionality on pin PTC2/SHTDWN/IRQ. When SHTDWN functionality is enabled, a falling edge or a low level on the SHTDWN pin causes the TOP and BOT outputs to be switched to logic 0 and the HRPEN bit is set to logic 0, disabling the HRP.

- 1 = Pin PTC2/SHTDWN/IRQ functions as SHTDWN input.
- 0 = Pin PTC2/SHTDWN/IRQ functions controlled by port C register

NOTE

The TOP and BOT pins must be enabled using the HRPOE bit for the HRPEN bit to have any effect on the PTB0/TOP and PTB1/BOT I/O pins.

HRPMODE — Mode Select

This read/write bit selects between variable frequency and variable duty cycle modes of operation.

- 1 = Variable duty cycle mode
- 0 = Variable frequency mode

HRPEN — Enable

This read/write bit enables/disables the HRP.

- 1 = HRP enabled
- 0 = HRP disabled

When the HRP is disabled the TOP and BOT outputs both switch to logic 0. If a logic 0 is detected on the SHTDWN input pin, the module outputs both switch to logic 0 and the HRPEN bit is automatically set to 0 to disable the module.

NOTE

The TOP and BOT pins must be enabled using the HRPOE bit for the HRPEN bit to have any effect on the PTB0/TOP and PTB1/BOT I/O pins.

10.8.2 HRP Duty Cycle Registers

The two read/write duty cycle registers contain the 16-bit duty cycle of the output after dithering. It is split into two parts:

1. 11-bit duty cycle value (DC[10:0]) used to generate the HRP output waveforms.
2. 5-bit step value (STEP[4:0]) that defines the percentage of time spent on the larger of two duty cycle values in variable duty cycle mode.

The duty cycle including dithering in variable duty cycle mode is:

$$\text{Output Duty Cycle} = \frac{\text{DC}[10:0]}{\text{HRPCLK}} + \frac{\text{INT}\left(\frac{\text{STEP}[4:0]}{2^{\text{SEL}[2:0]}}\right)}{\frac{32}{2^{\text{SEL}[2:0]}} \mp \text{HRPCLK}} \quad (\text{EQ 10-11})$$

where $2^{\text{SEL}[2:0]}$ is the STEP[4:0] scaling factor.

HRPDCH:HRPDCL are not used in variable frequency mode. The contents of the registers have no effect in this mode

Writes to the high byte (HRPDCH) are stored in a latch until the low byte (HRPDCL) is written. Both registers are then updated simultaneously. This prevents glitches in the output duty cycle.

Address: HRPDCH — \$0052 HRPDCL — \$0053

	Bit 15	14	13	12	11	10	9	Bit 8
Read:	DC10	DC9	DC8	DC7	DC6	DC5	DC4	DC3
Write:								
Reset:	0	0	0	0	0	0	0	0
	Bit 7	6	5	4	3	2	1	Bit 0
Read:	DC2	DC1	DC0	STEP4	STEP3	STEP2	STEP1	STEP0
Write:								
Reset:	0	0	0	0	0	0	0	0

Figure 10-11. HRP Duty Cycle Registers (HRPDCH:HRPDCL)

DC[10:0] — 11-Bit Duty Cycle Value

STEP[4:0] — 5-Bit Dithering Step Value

10.8.3 HRP Period Registers

The two read/write period registers contain the 16-bit period of the PWM output after dithering. It is split into two parts:

1. 11-bit period value (P[10:0]) used to generate the HRP’s output waveforms.
2. 5-bit step value (STEP[4:0]) the lower five bits of HRPPERH:HRPPERL, specifies how much time is spent on the longer period (PERIOD2).

The output period including dithering in variable frequency mode is:

$$\text{Output Period (seconds)} = \frac{P[10:0]}{HRPCLK} + \frac{\text{INT}\left(\frac{STEP[4:0]}{2^{SEL[2:0]}}\right)}{\frac{32}{2^{SEL[2:0]}} \times HRPCLK} \quad \text{(EQ 10-12)}$$

where $2^{SEL[2:0]}$ is the STEP[4:0] scaling factor.

The output period in variable duty cycle mode does not include dithering. The period value is:

$$\text{Period} = \frac{P[10:0]}{HRPCLK} \quad \text{(EQ 10-13)}$$

Writes to the high byte (HRPPERH) are stored in a latch until the low byte (HRPPERL) is written. Both registers are then updated simultaneously. This prevents glitches in the output period.

Address: HRPPERH — \$0054 HRPPERL — \$0055

	Bit 15	14	13	12	11	10	9	Bit 8
Read:	P10	P9	P8	P7	P6	P5	P4	P3
Write:								
Reset:	0	0	0	0	0	0	0	0
	Bit 7	6	5	4	3	2	1	Bit 0

Figure 10-12. HRP Period Registers (HRPPERH:HRPPERL)

High Resolution PWM (HRP)

Read:	P2	P1	P0	STEP4	STEP3	STEP2	STEP1	STEP0
Write:								
Reset:	0	0	0	0	0	0	0	0

Figure 10-12. HRP Period Registers (HRPPERH:HRPPERL)

P[10:0] — 11-Bit Period Value

STEP[4:0] — 5-Bit Dithering Step Value

10.8.4 HRP Deadtime Register

This read/write register contains an 8-bit value corresponding to the number of HRPCLK cycles that will be subtracted from the logic 1 level of the TOP and BOT output signals to provide deadtime between the two signals.

$$\text{Dead Time} = \frac{\text{HRPDT}}{\text{HRPCLK}} \quad (\text{EQ 10-14})$$

Address: \$0056

	Bit 7	6	5	4	3	2	1	Bit 0
Read:	DT7	DT6	DT5	DT4	DT3	DT2	DT1	DT0
Write:								
Reset:	0	0	0	0	1	0	0	0

Figure 10-13. HRP Deadtime Register (HRPDT)

10.8.5 Frequency Dithering HRP Timebase Registers

The two read/write frequency dithering timebase registers HRPTBH:HRPTBL contain a 16-bit value used to determine the time base for switching between the two dithering frequencies. The timebase is calculated from the following formula:

$$\text{Frequency Dithering Timebase (seconds)} = \frac{\text{HRPTBH:HRPTBL}}{\text{HRPCLK}} \quad (\text{EQ 10-15})$$

Writes to the high byte (HRPTBH) are stored in a latch until the low byte (HRPTBL) is written. Both registers are then updated simultaneously. This prevents glitches occurring on the output signal.

Address: HRPTBH — \$0057 HRPTBL — \$0058

	Bit 15	14	13	12	11	10	9	Bit 8
Read:	TB15	TB14	TB13	TB12	TB11	TB10	TB9	TB8
Write:								
Reset:	0	0	0	0	0	0	0	0
	Bit 7	6	5	4	3	2	1	Bit 0
Read:	TB7	TB6	TB5	TB4	TB3	TB2	TB1	TB0
Write:								
Reset:	0	0	0	0	0	0	0	0

Figure 10-14. HRP Timebase Registers (HRPTBH:HRPTBL)

10.8.6 Frequency Dithering Control Register

This read/write register selects the clock source for the dithering controller, and selects the number of dithering steps and modulus value of the dithering counter.

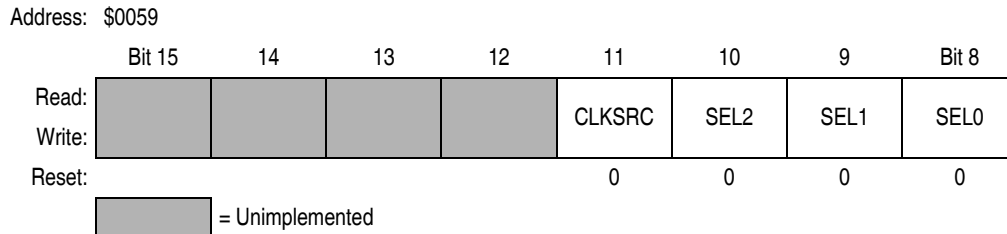


Figure 10-15. Frequency Dithering Control Register (HRPDCR)

CLKSRC — Dithering Clock Source

This read/write bit selects the clock source for the 5-bit dithering counter.

1 = The dithering counter is clocked from the 16-bit timebase

0 = The dithering counter is clocked from the output of the dual frequency generator counter

Table 10-5

CLKSEL	Clock Source	Timebase
0	Dual Frequency Generator	$\frac{P(10:0)}{HRPCLK}$
1	16 bit timebase	$\frac{HRPTBH:HRPTBL}{HRPCLK}$

SEL[2:0] — Dithering Step/Modulus Select

These read/write bits select the number of steps used by the dithering counter and set the scaling factor for the STEP[4:0] bits.

Table 10-6

SEL[2:0]	Number of Steps	Divide STEP[4:0] by...
0	32	1
1	16	2
2	8	4
3	4	8
4	2	16
5 ⁽¹⁾	0	32
6	Reserved	Reserved
7	Reserved	Reserved

NOTES:

1. No dithering occurs for this setting.

10.9 HRP Programming Examples

The HRP has been designed to simplify the software required to generate typical control waveforms and reduce the CPU load.

The following examples show how to calculate the register values needed to generate the desired output frequencies, resolutions, deadtime, etc. The examples consider only the case of variable frequency mode, but the calculations for variable duty cycle mode are very similar.

Example 1

This example shows how to configure the module to output a frequency of 132.073 kHz, with an HRPCLK of 8 MHz.

$$\text{Period (seconds)} = \frac{10^{-3}}{132.073} = 7.57157 \times 10^{-6} = \frac{P[10:0]}{8 \times 10^6} + \frac{\text{INT}\left(\frac{\text{STEP}[4:0]}{2^{\text{SEL}[2:0]}}\right)}{\frac{32}{2^{\text{SEL}[2:0]}} \times 8 \times 10^6} \quad (\text{EQ 10-16})$$

$$P[10:0] + \frac{\text{INT}\left(\frac{\text{STEP}[4:0]}{2^{\text{SEL}[2:0]}}\right)}{\frac{32}{2^{\text{SEL}[2:0]}}} = 7.57157 \times 8 = 60.5725 = 60 + 0.5725 \quad (\text{EQ 10-17})$$

$$P[10:0] = 60 = \$3C \text{ and } \frac{\text{INT}\left(\frac{\text{STEP}[4:0]}{2^{\text{SEL}[2:0]}}\right)}{\frac{32}{2^{\text{SEL}[2:0]}}} = 0.5725 \quad (\text{EQ 10-18})$$

If we use 32 steps, simplifying the last equation gives

$$\frac{\text{STEP}[4:0]}{32} = 0.5725 \quad (\text{EQ 10-19})$$

$$\text{Therefore, STEP}[4:0] = 0.5725 \times 32 = 18.32 = 18 \text{ or } 19 \quad (\text{EQ 10-20})$$

If we choose STEP[4:0] = 19, the output frequency = 132.026 kHz.

If we choose STEP[4:0] = 18, the output frequency = 132.094 kHz.

So STEP[4:0] = 19 gets us closer to our desired frequency of 132.073 kHz

In this case, the switching frequency is 132.094 kHz/32 = 4.1279 kHz.

Example 2

This example shows how to configure the module to output a frequency of 81.5 kHz, with a deadtime of 10 μ s. The system has an HRPCLK of 8 MHz, and the switching frequency must be less than 100 Hz.

$$\text{Period (seconds)} = \frac{10^{-3}}{81.5} = 12.2699 \times 10^{-6} = \frac{P[10:0]}{8 \times 10^6} + \frac{\text{INT}\left(\frac{\text{STEP}[4:0]}{2^{\text{SEL}[2:0]}}\right)}{\frac{32}{2^{\text{SEL}[2:0]}} \times 8 \times 10^6} \quad (\text{EQ 10-21})$$

$$P[10:0] + \frac{\text{INT}\left(\frac{\text{STEP}[4:0]}{2^{\text{SEL}[2:0]}}\right)}{\frac{32}{2^{\text{SEL}[2:0]}}} = 12.2699 \times 8 = 98.1592 = 98 + 0.1592 \quad (\text{EQ 10-22})$$

$$P[10:0] = 98 = \$62 \text{ and } \frac{\text{INT}\left(\frac{\text{STEP}[4:0]}{2^{\text{SEL}[2:0]}}\right)}{\frac{32}{2^{\text{SEL}[2:0]}}} = 0.1592 \quad (\text{EQ 10-23})$$

If we use 32 steps, simplifying the last equation gives

$$\frac{\text{STEP}[4:0]}{32} = 0.1592 \quad (\text{EQ 10-24})$$

$$\text{STEP}[4:0] = 0.1592 \times 32 = 5.094 = 5 \text{ or } 6 \quad (\text{EQ 10-25})$$

If we choose $\text{STEP}[4:0] = 5$, the output frequency = 81.5027 kHz.

In this case (using the output of the dual frequency generator as source for the dithering timebase),

$$\text{Switching Frequency} = \frac{\text{Output Frequency}}{2^{\text{SEL}}} = \frac{81.5027}{32} = 2.5469 \text{ kHz} \quad (\text{EQ 10-26})$$

To achieve a switching frequency of less than 100 Hz, we must use the 16-bit timebase counter as the source for the dithering timebase.

$$\text{Switching Frequency} = \frac{\text{HRPCLK}}{\text{HRPTB} \times 2^{\text{SEL}}} \quad (\text{EQ 10-27})$$

$$\text{HRPTB} = \frac{\text{HRPCLK}}{100 \times 2^{\text{SEL}}} = \frac{8 \times 10^6}{100 \times 32} = 2500 = \$9C4 \quad (\text{EQ 10-28})$$

To insert a 10 μ s deadtime in the output signals, we must calculate the value to store in the HRPDT register from the following equation.

$$\text{Dead Time} = \frac{\text{HRPDT}}{\text{HRPCLK}} \quad (\text{EQ 10-29})$$

$$10 \times 10^{-6} = \frac{\text{HRPDT}}{8 \times 10^6} \quad (\text{EQ 10-30})$$

$$\text{i.e. HRPDT} = 10 \times 8 = 80 = \$50 \quad (\text{EQ 10-31})$$

Chapter 11

Low-Power Modes

11.1 Introduction

The microcontroller (MCU) may enter two low-power modes: wait mode and stop mode. They are common to all HC08 MCUs and are entered through instruction execution. This section describes how each module acts in the low-power modes.

11.1.1 Wait Mode

The WAIT instruction puts the MCU in a low-power standby mode in which the central processor unit (CPU) clock is disabled but the bus clock continues to run. Power consumption can be further reduced by disabling the low-voltage inhibit (LVI) module through bits in the CONFIG1 register. See [Chapter 5 Configuration Register \(CONFIG\)](#).

11.1.2 Stop Mode

Stop mode is entered when a STOP instruction is executed. The CPU clock is disabled and the bus clock is disabled.

11.2 Analog-to-Digital Converter (ADC)

11.2.1 Wait Mode

The analog-to-digital converter (ADC) continues normal operation during wait mode. Any enabled CPU interrupt request from the ADC can bring the MCU out of wait mode. If the ADC is not required to bring the MCU out of wait mode, power down the ADC by setting ADCH4–ADCH0 bits in the ADC status and control register before executing the WAIT instruction.

11.2.2 Stop Mode

The ADC module is inactive after the execution of a STOP instruction. Any pending conversion is aborted. ADC conversions resume when the MCU exits stop mode after an external interrupt. Allow one conversion cycle to stabilize the analog circuitry.

11.3 Break Module (BRK)

11.3.1 Wait Mode

If enabled, the break (BRK) module is active in wait mode. In the break routine, the user can subtract one from the return address on the stack if the SBSW bit in the break status register is set.

11.3.2 Stop Mode

The break module is inactive in stop mode. The STOP instruction does not affect break module register states.

11.4 Central Processor Unit (CPU)

11.4.1 Wait Mode

The WAIT instruction:

- Clears the interrupt mask (I bit) in the condition code register, enabling interrupts. After exit from wait mode by interrupt, the I bit remains clear. After exit by reset, the I bit is set.
- Disables the CPU clock

11.4.2 Stop Mode

The STOP instruction:

- Clears the interrupt mask (I bit) in the condition code register, enabling external interrupts. After exit from stop mode by external interrupt, the I bit remains clear. After exit by reset, the I bit is set.
- Disables the CPU clock

After exiting stop mode, the CPU clock begins running after the oscillator stabilization delay.

11.5 Computer Operating Properly Module (COP)

11.5.1 Wait Mode

The COP remains active during wait mode. If COP is enabled, a reset will occur at COP timeout.

11.5.2 Stop Mode

Stop mode turns off the COPCLK input to the COP and clears the COP prescaler. Service the COP immediately before entering or after exiting stop mode to ensure a full COP timeout period after entering or exiting stop mode.

The STOP bit in the CONFIG1 register enables the STOP instruction. To prevent inadvertently turning off the COP with a STOP instruction, disable the STOP instruction by clearing the STOP bit.

11.6 External Interrupt Module (IRQ)

11.6.1 Wait Mode

The external interrupt (IRQ) module remains active in wait mode. Clearing the IMASK bit in the IRQ status and control register enables $\overline{\text{IRQ}}$ CPU interrupt requests to bring the MCU out of wait mode if IRQ function is enabled.

11.6.2 Stop Mode

The IRQ module remains active in stop mode. Clearing the IMASK bit in the IRQ status and control register enables $\overline{\text{IRQ}}$ CPU interrupt requests to bring the MCU out of stop mode.

11.7 Keyboard Interrupt Module (KBI)

11.7.1 Wait Mode

The keyboard interrupt (KBI) module remains active in wait mode. Clearing the IMASKK bit in the keyboard status and control register enables keyboard interrupt requests to bring the MCU out of wait mode.

11.7.2 Stop Mode

The keyboard module remains active in stop mode. Clearing the IMASKK bit in the keyboard status and control register enables keyboard interrupt requests to bring the MCU out of stop mode.

11.8 High Resolution PWM (HRP)

11.8.1 Wait Mode

The HRP remains active after the execution of a WAIT instruction. In wait mode the HRP registers are not accessible by the CPU. Any enabled CPU interrupt request from the HRP can bring the MCU out of wait mode. If HRP functions are not required during wait mode, reduce power consumption by stopping the HRP before executing the WAIT instruction.

11.8.2 Stop Mode

The HRP is inactive after the execution of a STOP instruction. The TOP and BOT outputs are both set to logic 0 and the HRPEN bit in the HRPCTRL register is set to 0 after execution of the STOP instruction. The STOP instruction does not affect other register conditions or the state of the HRP counters. When the MCU exits stop mode after an external interrupt, the HRP is inactive because the HRPEN bit is set to 0.

NOTE

The HRP shutdown pin remains active during Stop mode.

11.9 Low-Voltage Inhibit Module (LVI)

11.9.1 Wait Mode

If enabled, the low-voltage inhibit (LVI) module remains active in wait mode. If enabled to generate resets, the LVI module can generate a reset and bring the MCU out of wait mode.

11.9.2 Stop Mode

If enabled, the LVI module remains active in stop mode. If enabled to generate resets, the LVI module can generate a reset and bring the MCU out of stop mode.

11.10 Op Amp/Comparator

11.10.1 Wait Mode

While in WAIT the state of the op amp/comparator cannot be changed. If the op amp/comparator module is not needed during wait mode, reduce power consumption by disabling the op amp/comparator before executing the WAIT command.

11.10.2 Stop Mode

The op amp/comparator is inactive after execution of the STOP command. The op amp/comparator will be in a low-power state and will not drive its output pin. When the MCU exits stop mode after an external interrupt, the op amp/comparator continues operation.

11.11 Oscillator Module (OSC)

11.11.1 Wait Mode

The WAIT instruction has no effect on the oscillator logic. BUSCLKX2 and BUSCLKX4 continue to drive to the SIM module.

11.11.2 Stop Mode

The STOP instruction disables either the XTALCLK, the RCCLK, or INTCLK output, hence BUSCLKX2 and BUSCLKX4.

11.12 Pulse-Width Modulator Module (PWM)

11.12.1 Wait Mode

When the microcontroller is put in low-power wait mode via the WAIT instruction, all clocks to the PWM module will continue to run. If an interrupt is issued from the PWM module (via a reload or a fault), the microcontroller will exit wait mode.

Clearing the PWMEN bit before entering wait mode will reduce power consumption in wait mode because the counter, prescaler divider, and LDFQ divider will no longer be clocked. In addition, power will be reduced because the PWMs will no longer toggle.

11.12.2 Stop Mode

When the microcontroller is put into stop mode via the STOP instruction, the PWM will stop functioning. The PWM0 and PWM1 outputs are set to logic 0. The STOP instruction does not affect the register conditions or the state of the PWM counters. When the MCU exits stop mode after an external interrupt the PWM resumes operation.

11.13 Timer Interface Module (TIM)

11.13.1 Wait Mode

The timer interface module (TIM) remains active in wait mode. Any enabled CPU interrupt request from the TIM can bring the MCU out of wait mode.

If TIM functions are not required during wait mode, reduce power consumption by stopping the TIM before executing the WAIT instruction.

11.13.2 Stop Mode

The TIM is inactive in stop mode. The STOP instruction does not affect register states or the state of the TIM counter. TIM operation resumes when the MCU exits stop mode after an external interrupt.

11.14 Exiting Wait Mode

These events restart the CPU clock and load the program counter with the reset vector or with an interrupt vector:

- External reset — A logic 0 on the $\overline{\text{RST}}$ pin resets the MCU and loads the program counter with the contents of locations: \$FFFE and \$FFFF.
- External interrupt — A high-to-low transition on an external interrupt pin ($\overline{\text{IRQ}}$ pin) loads the program counter with the contents of locations: \$FFFA and \$FFFB.
- Break (BRK) interrupt — A break interrupt loads the program counter with the contents of: \$FFFC and \$FFFD.
- Computer operating properly (COP) module reset — A timeout of the COP counter resets the MCU and loads the program counter with the contents of: \$FFFE and \$FFFF.
- Low-voltage inhibit (LVI) module reset — A power supply voltage below the V_{TRIPF} voltage resets the MCU and loads the program counter with the contents of locations: \$FFFE and \$FFFF.
- Keyboard interrupt (KBI) module — A CPU interrupt request from the KBI module loads the program counter with the contents of: \$FFE0 and \$FFE1.
- Timer interface (TIM) module interrupt — A CPU interrupt request from the TIM loads the program counter with the contents of:
 - \$FFF2 and \$FFF3; TIM overflow
 - \$FFF4 and \$FFF5; TIM channel 1
 - \$FFF6 and \$FFF7; TIM channel 0
- Analog-to-digital converter (ADC) module interrupt — A CPU interrupt request from the ADC loads the program counter with the contents of: \$FFDF and \$FFDE.
- Pulse-Width Modulator with Fault Input (PWM) — A CPU interrupt request from the PWM load the program counter with the contents of:
 - \$FFF1 and \$FFF0; FAULT
 - \$FFEF and \$FFEE; PWMINT
- High Resolution PWM (HRP) — A CPU interrupt request from the HRP loads the program counter with the contents of: \$FFED and \$FFEC

11.15 Exiting Stop Mode

These events restart the system clocks and load the program counter with the reset vector or with an interrupt vector:

- External reset — A logic 0 on the $\overline{\text{RST}}$ pin resets the MCU and loads the program counter with the contents of locations \$FFFE and \$FFFF.
- External interrupt — A high-to-low transition on an external interrupt pin loads the program counter with the contents of locations:
 - \$FFFA and \$FFFB; $\overline{\text{IRQ}}$ pin
 - \$FFE0 and \$FFE1; keyboard interrupt pins
- Low-voltage inhibit (LVI) reset — A power supply voltage below the $\text{LVI}_{\text{TRIPF}}$ voltage resets the MCU and loads the program counter with the contents of locations \$FFFE and \$FFFF.
- Break (BRK) interrupt — A break interrupt loads the program counter with the contents of locations \$FFFC and \$FFFD.
- Keyboard (KBI) interrupt — A keyboard interrupt loads the program counter with contents of location \$FFE0 and \$FFE1.

Upon exit from stop mode, the system clocks begin running after an oscillator stabilization delay. A 12-bit stop recovery counter inhibits the system clocks for 4096 BUSCLKX4 cycles after the reset or external interrupt.

The short stop recovery bit, SSREC, in the CONFIG1 register controls the oscillator stabilization delay during stop recovery. Setting SSREC reduces stop recovery time from 4096 BUSCLKX4 cycles to 32 BUSCLKX4 cycles.

NOTE

Use the full stop recovery time ($\text{SSREC} = 0$) in applications that use an external crystal.

Chapter 12

Low-Voltage Inhibit (LVI)

12.1 Introduction

This section describes the low-voltage inhibit (LVI) module, which monitors the voltage on the V_{DD} pin and can force a reset when the V_{DD} voltage falls below the LVI trip falling voltage, V_{TRIPF} .

12.2 Features

Features of the LVI module include:

- Programmable LVI reset
- Programmable power consumption
- Selectable LVI trip voltage
- Programmable stop mode operation

12.3 Functional Description

Figure 12-1 shows the structure of the LVI module. LVISTOP, LVIPWRD, and LVIRSTD are user selectable options found in the configuration register (CONFIG1). See [Chapter 5 Configuration Register \(CONFIG\)](#).

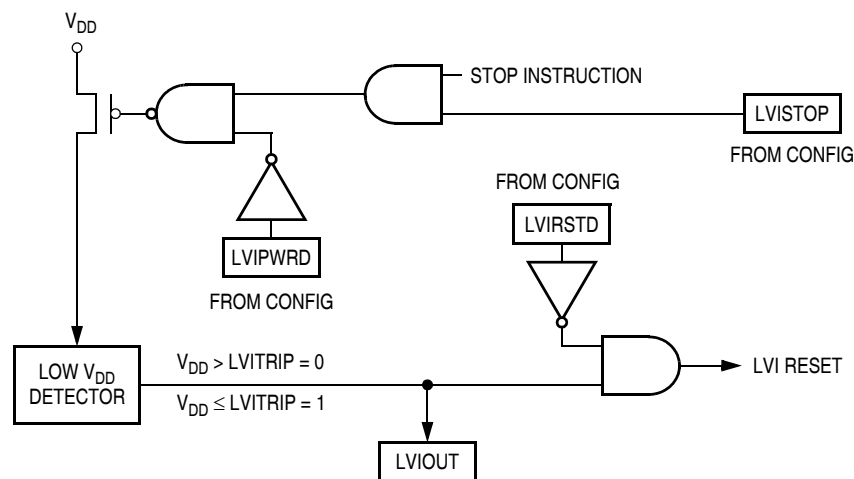


Figure 12-1. LVI Module Block Diagram

Low-Voltage Inhibit (LVI)

The LVI is enabled out of reset. The LVI module contains a bandgap reference circuit and comparator. Clearing the LVI power disable bit, LVIPWRD, enables the LVI to monitor V_{DD} voltage. Clearing the LVI reset disable bit, LVIRSTD, enables the LVI module to generate a reset when V_{DD} falls below a voltage, V_{TRIPF} . Setting the LVI enable in stop mode bit, LVISTOP, enables the LVI to operate in stop mode.

Once an LVI reset occurs, the MCU remains in reset until V_{DD} rises above a voltage, V_{TRIPR} , which causes the MCU to exit reset. See [Chapter 17 System Integration Module \(SIM\)](#) for the reset recovery sequence.

The output of the comparator controls the state of the LVIOOUT flag in the LVI status register (LVISR) and can be used for polling LVI operation when the LVI reset is disabled.

12.3.1 Polled LVI Operation

In applications that can operate at V_{DD} levels below the V_{TRIPF} level, software can monitor V_{DD} by polling the LVIOOUT bit. In the configuration register, the LVIPWRD bit must be at 0 to enable the LVI module, and the LVIRSTD bit must be at 1 to disable LVI resets.

12.3.2 Forced Reset Operation

In applications that require V_{DD} to remain above the V_{TRIPF} level, enabling LVI resets allows the LVI module to reset the MCU when V_{DD} falls below the V_{TRIPF} level. In the configuration register, the LVIPWRD and LVIRSTD bits must be at 0 to enable the LVI module and to enable LVI resets.

12.3.3 Voltage Hysteresis Protection

Once the LVI has triggered (by having V_{DD} fall below V_{TRIPF}), the LVI will maintain a reset condition until V_{DD} rises above the rising trip point voltage, V_{TRIPR} . This prevents a condition in which the MCU is continually entering and exiting reset if V_{DD} is approximately equal to V_{TRIPF} . V_{TRIPR} is greater than V_{TRIPF} by the hysteresis voltage, V_{HYS} .

12.4 LVI Status Register

The LVI status register (LVISR) indicates if the V_{DD} voltage was detected below the V_{TRIPF} level while LVI resets have been disabled.

Address: \$FE0C

	Bit 7	6	5	4	3	2	1	Bit 0
Read:	LVIOUT	0	0	0	0	0	0	R
Write:								
Reset:	0	0	0	0	0	0	0	0

= Unimplemented
 R = Reserved

Figure 12-2. LVI Status Register (LVISR)

LVIOUT — LVI Output Bit

This read-only flag becomes set when the V_{DD} voltage falls below the V_{TRIPF} trip voltage and is cleared when V_{DD} voltage rises above V_{TRIPR} . The difference in these threshold levels results in a hysteresis that prevents oscillation into and out of reset (see [Table 12-1](#)). Reset clears the LVIOUT bit.

Table 12-1. LVIOUT Bit Indication

V_{DD}	LVIOUT
$V_{DD} > V_{TRIPR}$	0
$V_{DD} < V_{TRIPF}$	1
$V_{TRIPF} < V_{DD} < V_{TRIPR}$	Previous value

12.5 LVI Interrupts

The LVI module does not generate interrupt requests.

12.6 Low-Power Modes

The STOP and WAIT instructions put the MCU in low power- consumption standby modes.

12.6.1 Wait Mode

If enabled, the LVI module remains active in wait mode. If enabled to generate resets, the LVI module can generate a reset and bring the MCU out of wait mode.

12.6.2 Stop Mode

When the LVIPWRD bit in the configuration register is cleared and the LVISTOP bit in the configuration register is set, the LVI module remains active in stop mode. If enabled to generate resets, the LVI module can generate a reset and bring the MCU out of stop mode.

Chapter 13

Oscillator Module (OSC)

13.1 Introduction

The oscillator module is used to provide a stable clock source for the microcontroller system and bus. The oscillator module generates two output clocks, BUSCLKX2 and BUSCLKX4. The BUSCLKX4 clock is used by the system integration module (SIM) and the computer operating properly module (COP). The BUSCLKX2 clock is divided by two in the SIM to be used as the bus clock for the microcontroller. Therefore the bus frequency will be one fourth of the BUSCLKX4 frequency.

13.2 Features

The oscillator has these four clock source options available:

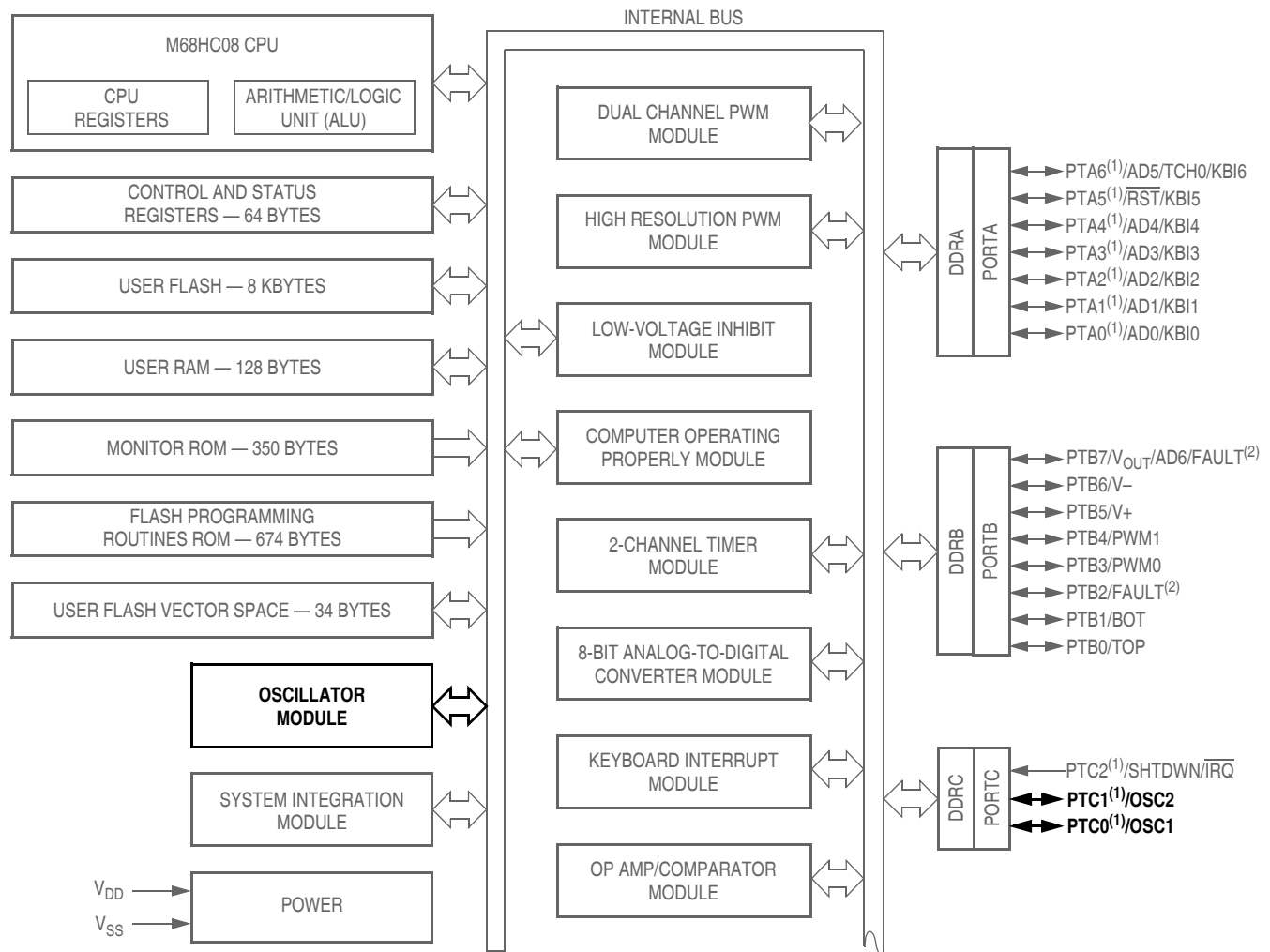
1. Internal oscillator: An internally generated, fixed frequency clock, trimmable to $\pm 5\%$. This is the default option out of reset.
2. External oscillator: An external clock that can be driven directly into OSC1.
3. External RC: A built-in oscillator module (RC oscillator) that requires an external R connection only. The capacitor is internal to the chip.
4. External crystal: A built-in oscillator module (XTAL oscillator) that requires an external crystal or ceramic-resonator.

13.3 Functional Description

The oscillator contains these major subsystems:

- Internal oscillator circuit
- Internal or external clock switch control
- External clock circuit
- External crystal circuit
- External RC clock circuit

Oscillator Module (OSC)



Notes:

1. Pin contains integrated pullup device.
2. Fault function switchable between pins PTB2 and PTB7.

Figure 13-1. Block Diagram Highlighting OSC Block and Pins

13.3.1 Internal Oscillator

The internal oscillator circuit is designed for use with no external components to provide a clock source with tolerance less than $\pm 25\%$ untrimmed. An 8-bit trimming register allows the adjust to a tolerance of less than $\pm 5\%$.

The internal oscillator will generate a clock of 16 MHz typical (INTCLK) resulting in a bus speed (internal clock \div 4) of 4 MHz.

Figure 13-3 shows how BUSCLKX4 is derived from INTCLK and, like the RC oscillator, OSC2 can output BUSCLKX4 by setting OSC2EN in PTCPUE register. See Chapter 14 Input/Output (I/O) Ports.

13.3.1.1 Internal Oscillator Trimming

The 8-bit trimming register, OSCTRIM, allows a clock period adjust of +127 and –128 steps. Increasing OSCTRIM value increases the clock period. Trimming will allow the internal clock frequency value fit in a $\pm 5\%$ range around 16 MHz.

The oscillator will be trimmed at the factory. The trimming value will be provided in a known FLASH location, \$FFC0. So that the user would be able to copy this byte from the FLASH to the OSCTRIM register right at the beginning of assembly code.

Reset loads OSCTRIM with a default value of \$80.

13.3.1.2 Internal to External Clock Switching

When external clock source (external OSC, RC, or XTAL) is desired, the user must perform the following steps:

1. For external crystal circuits only, OSCOPT[1:0] = 1:1: To help precharge an external crystal oscillator, set PTC1 (OSC2) as an output and drive high for several cycles. This may help the crystal circuit start more robustly.
2. Set CONFIG2 bits OSCOPT[1:0] according to [Table 13-2](#). The oscillator module control logic will then set OSC1 as an external clock input and, if the external crystal option is selected, OSC2 will also be set as the clock output.
3. Create a software delay to wait the stabilization time needed for the selected clock source (crystal, resonator, RC) as recommended by the component manufacturer. A good rule of thumb for crystal oscillators is to wait 4096 cycles of the crystal frequency, i.e., for a 4-MHz crystal, wait approximately 1 ms.
4. After the manufacturer's recommended delay has elapsed, the ECGON bit in the OSC status register (OSCSTAT) needs to be set by the user software.
5. After ECGON set is detected, the OSC module checks for oscillator activity by waiting two external clock rising edges.
6. The OSC module then switches to the external clock. Logic provides a glitch free transition.
7. The OSC module first sets the ECGST bit in the OSCSTAT register and then stops the internal oscillator.

NOTE

Once transition to the external clock is done, the internal oscillator will only be reactivated with reset. No post-switch clock monitor feature is implemented (clock does not switch back to internal if external clock dies).

13.3.2 External Oscillator

The external clock option is designed for use when a clock signal is available in the application to provide a clock source to the microcontroller. The OSC1 pin is enabled as an input by the oscillator module. The clock signal is used directly to create BUSCLKX4 and also divided by two to create BUSCLKX2.

In this configuration, the OSC2 pin cannot output BUSCLKX4. So the OSC2EN bit in the port C pullup enable register will be clear to enable PTC1 I/O functions on the pin.

13.3.3 XTAL Oscillator

The XTAL oscillator circuit is designed for use with an external crystal or ceramic resonator to provide an accurate clock source. In this configuration, the OSC2 pin is dedicated to the external crystal circuit. The OSC2EN bit in the port C pullup enable register has no effect when this clock mode is selected.

In its typical configuration, the XTAL oscillator is connected in a Pierce oscillator configuration, as shown in [Figure 13-2](#). This figure shows only the logical representation of the internal components and may not represent actual circuitry. The oscillator configuration uses five components:

- Crystal, X_1
- Fixed capacitor, C_1
- Tuning capacitor, C_2 (can also be a fixed capacitor)
- Feedback resistor, R_B
- Series resistor, R_S (optional)

NOTE

The series resistor (R_S) is included in the diagram to follow strict Pierce oscillator guidelines and may not be required for all ranges of operation, especially with high frequency crystals. Refer to the crystal manufacturer's data for more information.

13.3.4 RC Oscillator

The RC oscillator circuit is designed for use with external R to provide a clock source with tolerance less than 25%. See [Figure 13-3](#).

In its typical configuration, the RC oscillator requires two external components, one R and one C. In the MC68HC908LB8, the capacitor is internal to the chip. The R value should have a tolerance of 1% or less, to obtain a clock source with less than 25% tolerance. The oscillator configuration uses one component, R_{EXT} .

In this configuration, the OSC2 pin can be left in the reset state as PTC1. Or, the OSC2EN bit in the port C pullup enable register can be set to enable the OSC2 function on the pin without affecting the clocks.

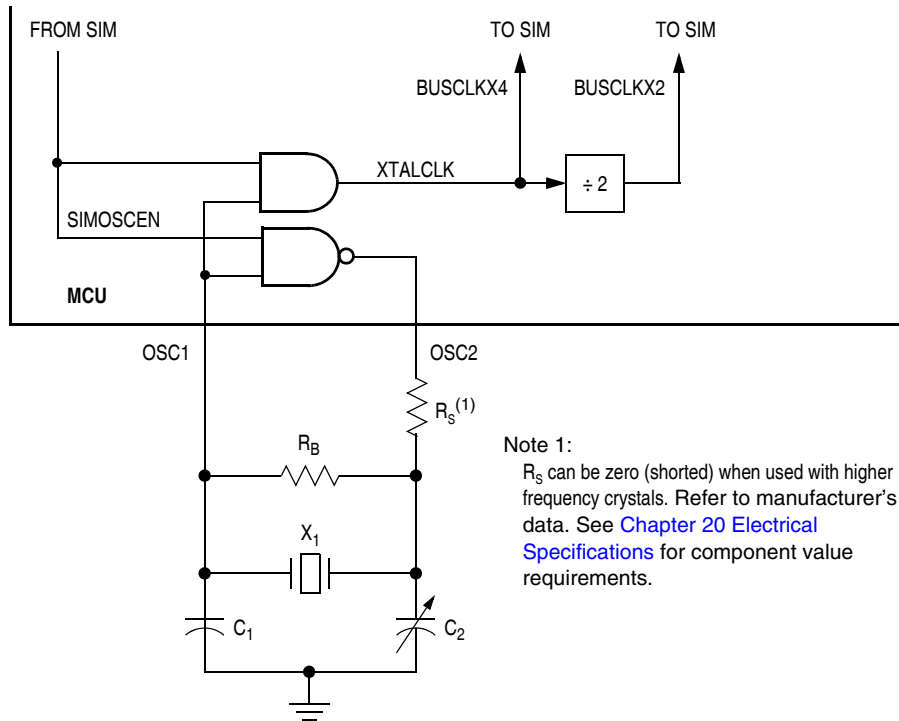


Figure 13-2. XTAL Oscillator External Connections

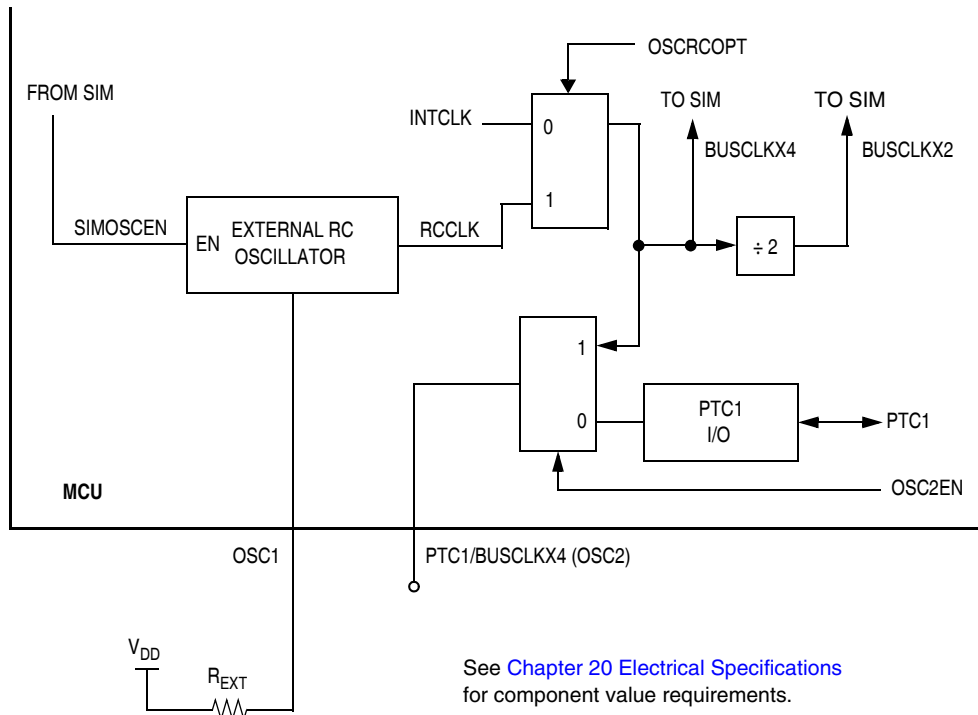


Figure 13-3. RC Oscillator External Connections

13.4 Oscillator Module Signals

The following paragraphs describe the signals that are inputs to and outputs from the oscillator module.

13.4.1 Crystal Amplifier Input Pin (OSC1)

The OSC1 pin is either an input to the crystal oscillator amplifier, an input to the RC oscillator circuit, or an external clock source.

For the internal oscillator configuration, the OSC1 pin can assume other functions according to [Table 13-1](#).

13.4.2 Crystal Amplifier Output Pin (OSC2/PTC1/BUSCLKX4)

For the XTAL oscillator device, the OSC2 pin is the crystal oscillator inverting amplifier output.

For the external clock option, the OSC2 pin is dedicated to the PTC1 I/O function. The OSC2EN bit has no effect.

For the internal oscillator or RC oscillator options, the OSC2 pin can assume other functions according to [Table 13-1](#), or the output of the oscillator clock (BUSCLKX4).

Table 13-1. OSC2 Pin Function

Option	OSC2 Pin Function
XTAL oscillator	Inverting OSC1
External clock	PTC1 I/O
Internal oscillator or RC oscillator	Controlled by OSC2EN bit in PTCPU register OSC2EN = 0: PTC1 I/O OSC2EN = 1: BUSCLKX4 output

13.4.3 Oscillator Enable Signal (SIMOSCEN)

The SIMOSCEN signal comes from the system integration module (SIM) and enables/disables either the XTAL oscillator circuit, the RC oscillator, or the internal oscillator.

13.4.4 XTAL Oscillator Clock (XTALCLK)

XTALCLK is the XTAL oscillator output signal. It runs at the full speed of the crystal (f_{XCLK}) and comes directly from the crystal oscillator circuit. [Figure 13-2](#) shows only the logical relation of XTALCLK to OSC1 and OSC2 and may not represent the actual circuitry. The duty cycle of XTALCLK is unknown and may depend on the crystal and other external factors. Also, the frequency and amplitude of XTALCLK can be unstable at start up.

13.4.5 RC Oscillator Clock (RCCLK)

RCCLK is the RC oscillator output signal. Its frequency is directly proportional to the time constant of external R and internal C. [Figure 13-3](#) shows only the logical relation of RCCLK to OSC1 and may not represent the actual circuitry.

13.4.6 Internal Oscillator Clock (INTCLK)

INTCLK is the internal oscillator output signal. Its nominal frequency is fixed to 16 MHz, but it can be also trimmed using the oscillator trimming feature of the OSCTRIM register (see [13.3.1.1 Internal Oscillator Trimming](#)).

13.4.7 Oscillator Out 2 (BUSCLKX4)

BUSCLKX4 is the same as the input clock (XTALCLK, RCCLK, or INTCLK). This signal is driven to the SIM module and is used to determine the COP cycles.

13.4.8 Oscillator Out (BUSCLKX2)

The frequency of this signal is equal to half of the BUSCLKX4, this signal is driven to the SIM for generation of the bus clocks used by the CPU and other modules on the MCU. BUSCLKX2 will be divided again in the SIM and results in the internal bus frequency being one fourth of either the XTALCLK, RCCLK, or INTCLK frequency.

13.5 Low Power Modes

The WAIT and STOP instructions put the MCU in low-power consumption standby modes.

13.5.1 Wait Mode

The WAIT instruction has no effect on the oscillator logic. BUSCLKX2 and BUSCLKX4 continue to drive to the SIM module.

13.5.2 Stop Mode

The STOP instruction disables either the XTALCLK, the RCCLK, or INTCLK output, hence BUSCLKX2 and BUSCLKX4.

13.6 Oscillator During Break Mode

The oscillator continues to drive BUSCLKX2 and BUSCLKX4 when the device enters the break state.

13.7 CONFIG2 Options

Two CONFIG2 register options affect the operation of the oscillator module: OSCOPT1 and OSCOPT0. All CONFIG2 register bits will have a default configuration. Refer to [Chapter 5 Configuration Register \(CONFIG\)](#) for more information on how the CONFIG2 register is used.

[Table 13-2](#) shows how the OSCOPT bits are used to select the oscillator clock source.

Table 13-2. Oscillator Modes

OSCOPT1	OSCOPT0	Oscillator Modes
0	0	Internal Oscillator
0	1	External Oscillator
1	0	External RC
1	1	External Crystal

13.8 Input/Output (I/O) Registers

The oscillator module contains these two registers:

1. Oscillator status register (OSCSTAT)
2. Oscillator trim register (OSCTRIM)

13.8.1 Oscillator Status Register

The oscillator status register (OSCSTAT) contains the bits for switching from internal to external clock sources.

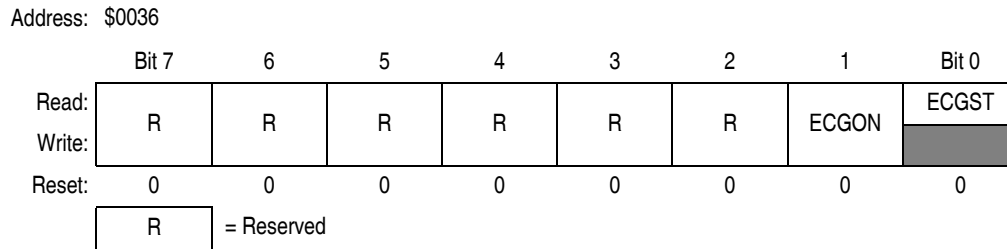


Figure 13-4. Oscillator Status Register (OSCSTAT)

ECGON — External Clock Generator On Bit

This read/write bit enables external clock generator, so that the switching process can be initiated. This bit is forced low during reset. This bit is ignored in monitor mode when the internal oscillator is bypassed.

- 1 = External clock generator enabled
- 0 = External clock generator disabled

ECGST — External Clock Status Bit

This read-only bit indicates whether or not an external clock source is engaged to drive the system clock.

- 1 = An external clock source engaged
- 0 = An external clock source disengaged

13.8.2 Oscillator Trim Register (OSCTRIM)

Address: \$0038

	Bit 7	6	5	4	3	2	1	Bit 0
Read:	TRIM7	TRIM6	TRIM5	TRIM4	TRIM3	TRIM2	TRIM1	TRIM0
Write:								
Reset:	1	0	0	0	0	0	0	0

Figure 13-5. Oscillator Trim Register (OSCTRIM)

TRIM7–TRIM0 — Internal Oscillator Trim Factor Bits

These read/write bits change the size of the internal capacitor used by the internal oscillator. By measuring the period of the internal clock and adjusting this factor accordingly, the frequency of the internal clock can be fine tuned. Increasing (decreasing) this factor by one increases (decreases) the period by approximately 0.2% of the untrimmed period (the period for TRIM = \$80). The trimmed frequency is guaranteed not to vary by more than $\pm 5\%$ over the full specified range of temperature and voltage. The reset value is \$80, which sets the frequency to 16 MHz (4.0 MHz bus speed) $\pm 25\%$.

Chapter 14

Input/Output (I/O) Ports

14.1 Introduction

Bidirectional input-output (I/O) pins form three parallel ports. All I/O pins are programmable as inputs or outputs. All individual bits within port A and port C are software configurable with pullup devices if configured as input port bits. The pullup devices are automatically and dynamically disabled when a port bit is switched to output mode.

NOTE

Connect any unused I/O pins to an appropriate logic level, either V_{DD} or V_{SS} . Although the I/O ports do not require termination for proper operation, termination reduces excess current consumption and the possibility of electrostatic damage.

Addr.	Register Name	Bit 7	6	5	4	3	2	1	Bit 0	
\$0000	Port A Data Register (PTA) See page 134.	Read:	0	PTA6	PTA5	PTA4	PTA3	PTA2	PTA1	PTA0
		Write:								
		Reset:	Unaffected by reset							
\$0001	Port B Data Register (PTB) See page 136.	Read:	PTB7	PTB6	PTB5	PTB4	PTB3	PTB2	PTB1	PTB0
		Write:								
		Reset:	Unaffected by reset							
\$0002	Port C Data Register (PTC) See page 138.	Read:	0	0	0	0	0	PTC2	PTC1	PTC0
		Write:								
		Reset:	0	0	0	0	0	0	0	0
\$0004	Data Direction Register A (DDRA) See page 135.	Read:	0	DDRA6	DDRA5	DDRA4	DDRA3	DDRA2	DDRA1	DDRA0
		Write:								
		Reset:	0	0	0	0	0	0	0	0
\$0005	Data Direction Register B (DDRB) See page 137.	Read:	DDRB7	DDRB6	DDRB5	DDRB4	DDRB3	DDRB2	DDRB1	DDRB0
		Write:								
		Reset:	0	0	0	0	0	0	0	0
\$0006	Data Direction Register C (DDRC) See page 139.	Read:	0	0	0	0	0	0	DDRC1	DDRC0
		Write:								
		Reset:	0	0	0	0	0	0	0	0


 = Unimplemented

Figure 14-1. I/O Port Register Summary

Input/Output (I/O) Ports

Addr.	Register Name	Bit 7	6	5	4	3	2	1	Bit 0	
\$000D	Port A Input Pullup Enable Register (PTAPUE) See page 136.	Read:		PTA6PUE	PTA5PUE	PTA4PUE	PTA3PUE	PTA2PUE	PTA1PUE	PTA0PUE
		Write:								
		Reset:	-	0	0	0	0	0	0	0
\$000E	Port C Input Pullup Enable Register (PTCPUE) See page 140.	Read:	OSC2EN	0	0	0	0	PTCPUE2	PTCPUE1	PTCPUE0
		Write:								
		Reset:	0	0	0	0	0	0	0	0

= Unimplemented

Figure 14-1. I/O Port Register Summary (Continued)

14.2 Port A

Port A is an 7-bit special-function port that shares all of its pins with the keyboard interrupt (KBI) module, the analog-to-digital converter (ADC) module, the reset pin, and timer channel 0. See [Table 1-1 . Pin Functions](#) for a description of the priority of these functions. Port A also has software configurable pullup devices if configured as an input port.

14.2.1 Port A Data Register

The port A data register (PTA) contains a data latch for each of the seven port A pins.

Address:	\$0000							
	Bit 7	6	5	4	3	2	1	Bit 0
Read:		PTA6	PTA5	PTA4	PTA3	PTA2	PTA1	PTA0
Write:								
Reset:	Unaffected by reset							

= Unimplemented

Figure 14-2. Port A Data Register (PTA)

PTA6–PTA0 — Port A Data Bits

These read/write bits are software programmable. Data direction of each port A pin is under the control of the corresponding bit in data direction register A. Reset has no effect on port A data.

KBD6–KBD0 — Keyboard Inputs

The keyboard interrupt enable bits, KBIE6–KBIE0, in the keyboard interrupt control register (KBICR) enable the port A pins as external interrupt pins. See [Chapter 9 Keyboard Interrupt Module \(KBI\)](#).

14.2.2 Data Direction Register A

Data direction register A (DDRA) determines whether each port A pin is an input or an output. Writing a 1 to a DDRA bit enables the output buffer for the corresponding port A pin; a 0 disables the output buffer.

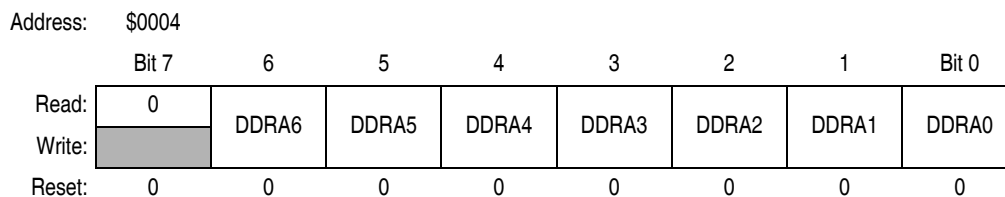


Figure 14-3. Data Direction Register A (DDRA)

DDRA6–DDRA0 — Data Direction Register A Bits

These read/write bits control port A data direction. Reset clears DDRA6–DDRA0, configuring all port A pins as inputs.

1 = Corresponding port A pin configured as output

0 = Corresponding port A pin configured as input

NOTE

Avoid glitches on port A pins by writing to the port A data register before changing data direction register A bits from 0 to 1.

Figure 14-4 shows the port A I/O logic.

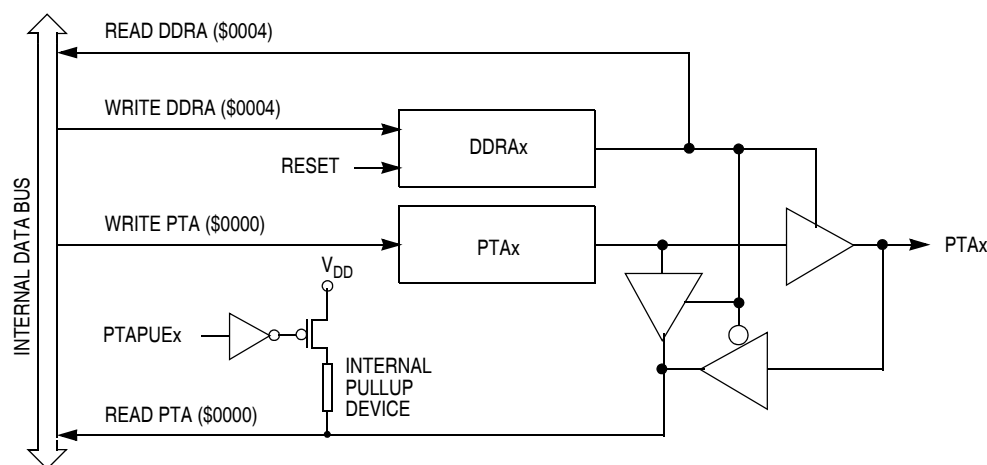


Figure 14-4. Port A I/O Circuit

When bit DDRAx is a 1, reading address \$0000 reads the PTAx data latch. When bit DDRAx is a 0, reading address \$0000 reads the voltage level on the pin. The data latch can always be written, regardless of the state of its data direction bit. Table 14-1 summarizes the operation of the port A pins.

Table 14-1. Port A Pin Functions

PTAPUE Bit	DDRA Bit	PTA Bit	I/O Pin Mode	Accesses to DDRA	Accesses to PTA	
				Read/Write	Read	Write
1	0	X ⁽¹⁾	Input, V _{DD} ⁽²⁾	DDRA6–DDRA0	Pin	PTA6–PTA0 ⁽³⁾
0	0	X	Input, Hi-Z ⁽⁴⁾	DDRA6–DDRA0	Pin	PTA6–PTA0 ⁽³⁾
X	1	X	Output	DDRA6–DDRA0	PTA6–PTA0	PTA6–PTA0

Input/Output (I/O) Ports

NOTES:

1. X = Don't care
2. I/O pin pulled up to V_{DD} by internal pullup device
3. Writing affects data register, but does not affect input.
4. Hi-Z = High impedance

14.2.3 Port A Input Pullup Enable Register

The port A input pullup enable register (PTAPUE) contains a software configurable pullup device for each of the seven port A pins. Each bit is individually configurable and requires that the data direction register, DDRA, bit be configured as an input. Each pullup is automatically and dynamically disabled when a port bit's DDRA is configured for output mode.

Address:	\$000D							
	Bit 7	6	5	4	3	2	1	Bit 0
Read:		PTA6PUE	PTA5PUE	PTA4PUE	PTA3PUE	PTA2PUE	PTA1PUE	PTA0PUE
Write:								
Reset:	-	0	0	0	0	0	0	0

Figure 14-5. Port A Input Pullup Enable Register (PTAPUE)

PTA6PUE–PTA0PUE — Port A Input Pullup Enable Bits

These writable bits are software programmable to enable pullup devices on an input port bit.

- 1 = Corresponding port A pin configured to have internal pullup
- 0 = Corresponding port A pin has internal pullup disconnected

14.3 Port B

Port B is an 8-bit special-function port that shares all eight of its pins with the high resolution PWM (HRP), pulse-width modulator (PWM) module, and op amp/comparator module. See [Table 1-1 . Pin Functions](#) for a description of the priority of these functions.

14.3.1 Port B Data Register

The port B data register (PTB) contains a data latch for each of the eight port pins.

Address:	\$0001							
	Bit 7	6	5	4	3	2	1	Bit 0
Read:	PTB7	PTB6	PTB5	PTB4	PTB3	PTB2	PTB1	PTB0
Write:								
Reset:	Unaffected by reset							

Figure 14-6. Port B Data Register (PTB)

PTB7–PTB0 — Port B Data Bits

These read/write bits are software-programmable. Data direction of each port B pin is under the control of the corresponding bit in data direction register B. Reset has no effect on port B data.

14.3.2 Data Direction Register B

Data direction register B (DDRB) determines whether each port B pin is an input or an output. Writing a 1 to a DDRB bit enables the output buffer for the corresponding port B pin; a 0 disables the output buffer.

Address:	\$0005							
	Bit 7	6	5	4	3	2	1	Bit 0
Read:	DDRB7	DDRB6	DDRB5	DDRB4	DDRB3	DDRB2	DDRB1	DDRB0
Write:								
Reset:	0	0	0	0	0	0	0	0

Figure 14-7. Data Direction Register B (DDRB)

DDRB7–DDRB0 — Data Direction Register B Bits

These read/write bits control port B data direction. Reset clears DDRB7–DDRB0, configuring all port B pins as inputs.

- 1 = Corresponding port B pin configured as output
- 0 = Corresponding port B pin configured as input

NOTE

Avoid glitches on port B pins by writing to the port B data register before changing data direction register B bits from 0 to 1.

Figure 14-8 shows the port B I/O logic.

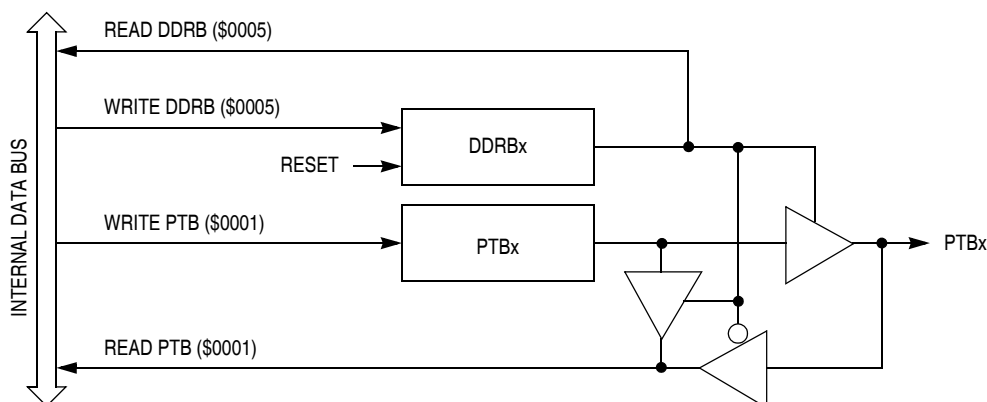


Figure 14-8. Port B I/O Circuit

When bit DDRBx is a 1, reading address \$0001 reads the PTBx data latch. When bit DDRBx is a 0, reading address \$0001 reads the voltage level on the pin. The data latch can always be written, regardless of the state of its data direction bit. [Table 14-2](#) summarizes the operation of the port B pins.

Table 14-2. Port B Pin Functions

DDRB Bit	PTB Bit	I/O Pin Mode	Accesses to DDRB	Accesses to PTB	
			Read/Write	Read	Write
0	X ⁽¹⁾	Input, Hi-Z ⁽²⁾	DDRB7–DDRB0	Pin	PTB7–PTB0 ⁽³⁾
1	X	Output	DDRB7–DDRB0	PTB7–PTB0	PTB7–PTB0

NOTES:

1. X = Don't care
2. Hi-Z = High impedance
3. Writing affects data register, but does not affect input.

14.4 Port C

Port C is a 3-bit, general-purpose bidirectional I/O port. Port C shares its pins with the oscillator (OSC) module, high resolution PWM (HRP), and the external interrupt module (IRQ). See [Table 1-1 . Pin Functions](#) for a description of the priority of these functions. Port C also has software configurable pullup devices if configured as an input port.

NOTE

PTC2 is input only.

When the $\overline{\text{IRQ}}$ function is enabled in the configuration register 2 (CONFIG2), bit 2 of the port C data register (PTC) will always read 0. In this case, the BIH and BIL instructions can be used to read the logic level on the PTC2 pin. When the $\overline{\text{IRQ}}$ function is disabled, these instructions will behave as if the PTC2 pin is a logic 1. However, reading bit 2 of PTC will read the actual logic level on the pin.

14.4.1 Port C Data Register

The port C data register (PTC) contains a data latch for each of the seven port C pins.

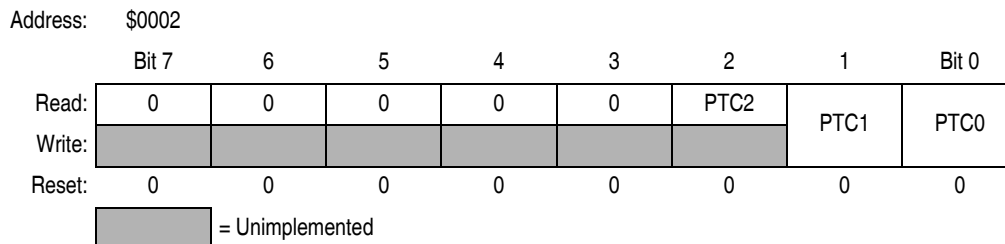


Figure 14-9. Port C Data Register (PTC)

PTC2–PTC0 — Port C Data Bits

These read/write bits are software-programmable. Data direction of each port C pin is under the control of the corresponding bit in data direction register C. Reset has no effect on port C data.

14.4.2 Data Direction Register C

Data direction register C (DDRC) determines whether each port C pin is an input or an output. Writing a 1 to a DDRC bit enables the output buffer for the corresponding port C pin; a 0 disables the output buffer.

Address: \$0006

	Bit 7	6	5	4	3	2	1	Bit 0
Read:	0	0	0	0	0	0	DDRC1	DDRC0
Write:	[Shaded]							
Reset:	0	0	0	0	0	0	0	0

[Shaded] = Unimplemented

Figure 14-10. Data Direction Register C (DDRC)

DDRC1–DDRC0 — Data Direction Register C Bits

These read/write bits control port C data direction. Reset clears DDRC1–DDRC0, configuring all port C pins as inputs.

1 = Corresponding port C pin configured as output

0 = Corresponding port C pin configured as input

NOTE

Avoid glitches on port C pins by writing to the port C data register before changing data direction register C bits from 0 to 1.

Figure 14-11 shows the port C I/O logic.

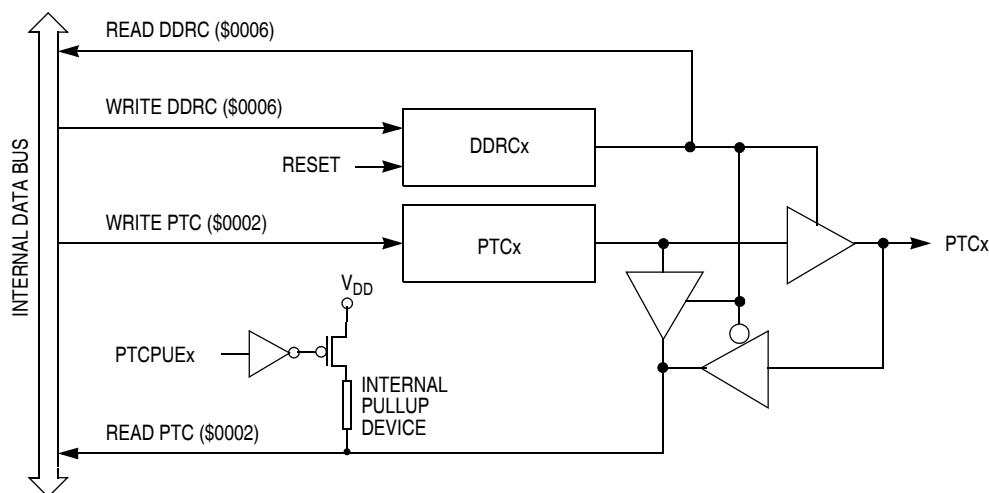


Figure 14-11. Port C I/O Circuit

NOTE

Figure 14-11 does not apply to PTC2.

When bit DDRCx is a 1, reading address \$0002 reads the PTCx data latch. When bit DDRCx is a 0, reading address \$0002 reads the voltage level on the pin. The data latch can always be written, regardless of the state of its data direction bit. Table 14-3 summarizes the operation of the port C pins.

Table 14-3. Port C Pin Functions

PTCPUE Bit	DDRC Bit	PTC Bit	I/O Pin Mode	Accesses to DDRC	Accesses to PTC	
				Read/Write	Read	Write ⁽¹⁾
1	0	X ⁽²⁾	Input, V _{DD} ⁽³⁾	DDRC1–DDRC0	Pin	PTC1–PTC0 ⁽⁴⁾
0	0	X	Input, Hi-Z ⁽⁵⁾	DDRC1–DDRC0	Pin	PTC1–PTC0 ⁽⁴⁾
X	1	X	Output	DDRC1–DDRC0	PTC2–PTC0	PTC1–PTC0

NOTES:

1. Output does not apply to PTC2.
2. X = Don't care
3. I/O pin pulled up to V_{DD} by internal pullup device.
4. Writing affects data register, but does not affect input.
5. Hi-Z = High impedance

14.4.3 Port C Input Pullup Enable Register

The port C input pullup enable register (PTCPUE) contains a software configurable pullup device for each of the seven port C pins. Each bit is individually configurable and requires that the data direction register, DDRC, bit be configured as an input. Each pullup is automatically and dynamically disabled when a port bit's DDRC is configured for output mode.

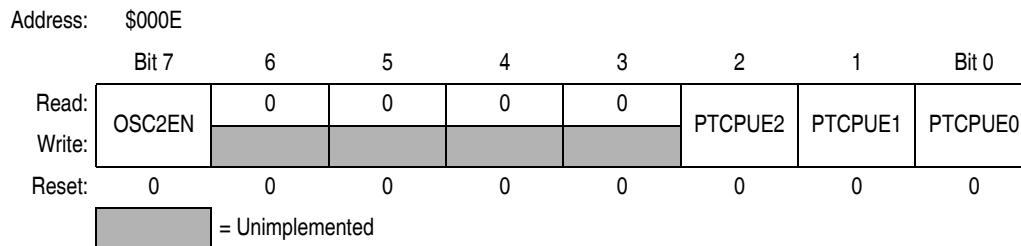


Figure 14-12. Port C Input Pullup Enable Register (PTCPUE)

OSC2EN — Enable PTC1 on OSC2 Pin

This read/write bit configures the OSC2 pin function when internal oscillator or RC oscillator option is selected. this bit has no effect for the XTAL or external oscillator options.

- 1 = OSC2 pin outputs the internal or RC oscillator clock (BUSCLKX4)
- 0 = OSC2 pin configured for PTC1 I/O, having all the interrupt and pullup functions

PTCPUE2–PTCPUE0 — Port C Input Pullup Enable Bits

These writable bits are software programmable to enable pullup devices on an input port bit.

- 1 = Corresponding port C pin configured to have internal pullup
- 0 = Corresponding port C pin internal pullup disconnected

Chapter 15

Pulse Width Modulator with Fault Input (PWM)

15.1 Introduction

This section describes the pulse-width modulator with fault input (PWM). The MC68HC908LB8 PWM module can generate two independent PWM signals. These PWM signals are edge-aligned. A block diagram of the PWM module is shown in [Figure 15-2](#).

A 12-bit timer PWM counter is common to both channels. PWM resolution is one clock period for edge-aligned operation. The clock period is dependent on the internal operating frequency (BUSCLK) and a programmable prescaler.

The highest resolution for edge-aligned operation is 125 ns (BUSCLK = 8 MHz).

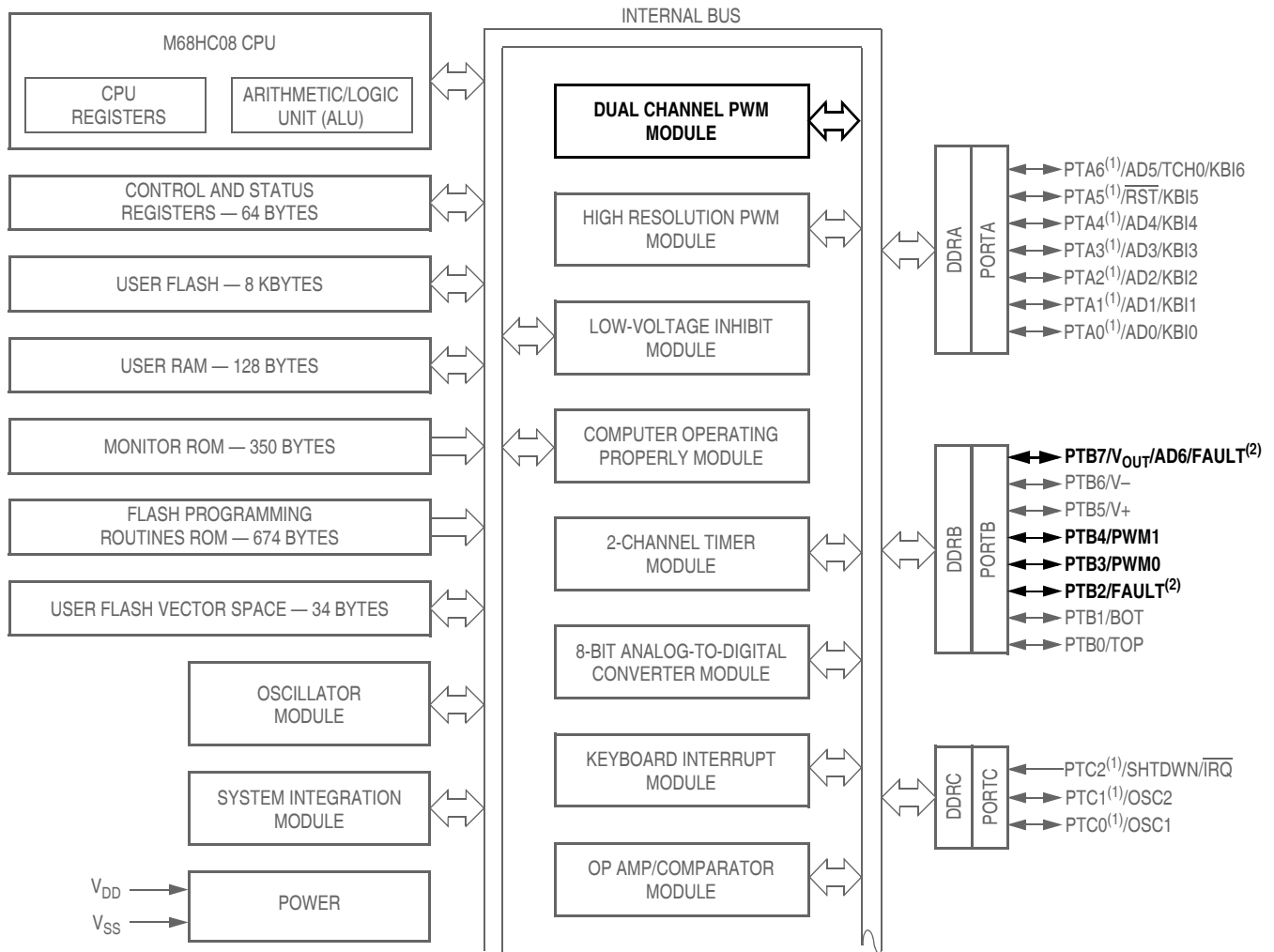
A summary of the PWM registers is shown in [Figure 15-3](#).

15.2 Features

Features of the PWMMC include:

- Two independent PWM signals
- Edge-aligned PWM signals
- PWM signal polarity control
- Programmable fault protection

Pulse Width Modulator with Fault Input (PWM)



Notes:

1. Pin contains integrated pullup device.
2. Fault function switchable between pins PTB2 and PTB7.

Figure 15-1. Block Diagram Highlighting PWM Block and Pins

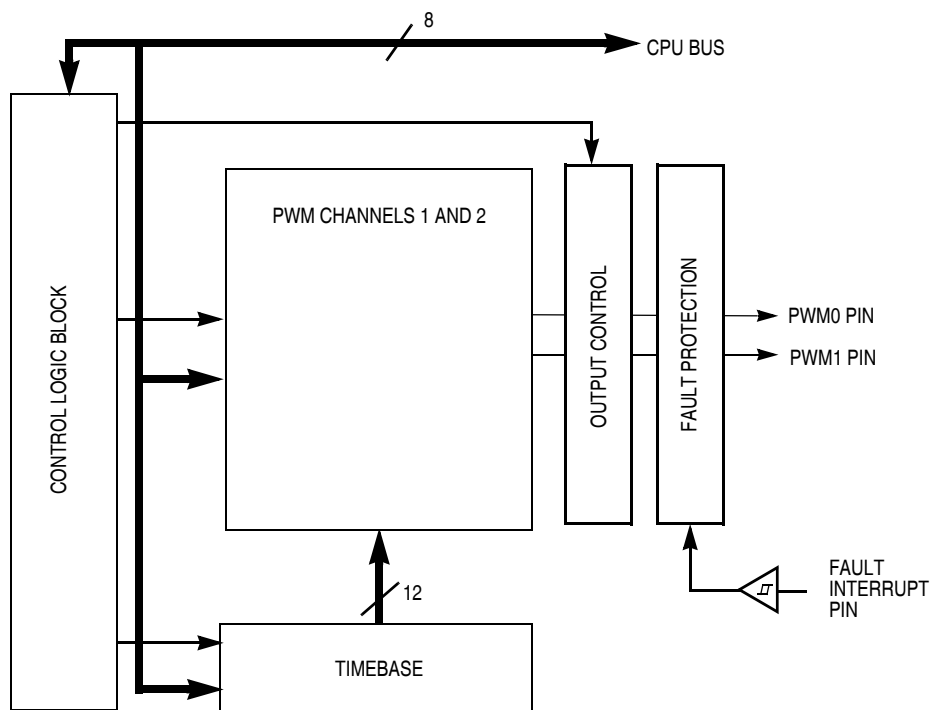


Figure 15-2. PWM Module Block Diagram

Addr.	Register Name	Bit 7	6	5	4	3	2	1	Bit 0	
\$0040	PWM Control Register 1 (PCTL1) See page 155.	Read:	0	FPOS	PWMINT	PWMF	0	0	LDOK	PWMEN
		Write:	R				R	R		
		Reset:	0	0	0	0	0	0	0	0
\$0041	PWM Control Register 2 (PCTL2) See page 157.	Read:	LDFQ1	LDFQ0	DIS1	DIS0	POL1	POL0	PRSC1	PRSC0
		Write:								
		Reset:	⊕	0	0	0	1	1	0	0
\$0042	Fault Control Register (FCR) See page 159.	Read:	0	0	0	0	0	0	FINT	FMODE
		Write:	R	R	R	R	R	R		
		Reset:	0	0	0	0	0	0	0	0
\$0043	Fault Status Register (FSR) See page 159.	Read:	0	0	0	0	0	0	FPIN	FFLAG
		Write:	R	R	R	R	R	R	R	R
		Reset:	U	0	U	0	U	0	U	0
\$0044	Fault Control Register 2 (FCR2) See page 160.	Read:	0	0	0	0	0	0	0	0
		Write:	R	R	R	R	R	R	R	FTACK
		Reset:	0	0	0	0	0	0	0	0

R = Reserved Bold = Buffered

Figure 15-3. Register Summary

Pulse Width Modulator with Fault Input (PWM)

Addr.	Register Name	Bit 7	6	5	4	3	2	1	Bit 0	
\$0045	PWM Counter Register High (PCNTH) See page 153.	Read:	0	0	0	0	Bit 11	Bit 10	Bit 9	Bit 8
		Write:								
		Reset:	0	0	0	0	0	0	0	0
\$0046	PWM Counter Register Low (PCNTL) See page 153.	Read:	Bit 7	Bit 6	Bit 5	Bit 4	Bit 3	Bit 2	Bit 1	Bit 0
		Write:								
		Reset:	0	0	0	0	0	0	0	0
\$0047	PWM Counter Modulo Register High (PMODH) See page 154.	Read:	0	0	0	0	Bit 11	Bit 10	Bit 9	Bit 8
		Write:								
		Reset:	0	0	0	0	Indeterminate after reset			
\$0048	PWM Counter Modulo Register Low (PMDL) See page 154.	Read:	Bit 7	Bit 6	Bit 5	Bit 4	Bit 3	Bit 2	Bit 1	Bit 0
		Write:								
		Reset:	Indeterminate after reset							
\$0049	PWM 0 Value Register High (PVAL0H) See page 154.	Read:	Bit 15	Bit 14	Bit 13	Bit 12	Bit 11	Bit 10	Bit 9	Bit 8
		Write:								
		Reset:	0	0	0	0	0	0	0	0
\$004A	PWM 0 Value Register Low (PVAL0L) See page 155.	Read:	Bit 7	Bit 6	Bit 5	Bit 4	Bit 3	Bit 2	Bit 1	Bit 0
		Write:								
		Reset:	0	0	0	0	0	0	0	0
\$004B	PWM 1 Value Register High (PVAL1H) See page 154.	Read:	Bit 15	Bit 14	Bit 13	Bit 12	Bit 11	Bit 10	Bit 9	Bit 8
		Write:								
		Reset:	0	0	0	0	0	0	0	0
\$004C	PWM 1 Value Register Low (PVAL1L) See page 155.	Read:	Bit 7	Bit 6	Bit 5	Bit 4	Bit 3	Bit 2	Bit 1	Bit 0
		Write:								
		Reset:	0	0	0	0	0	0	0	0
\$004D	PWM Disable Mapping Write Once Register (DISMAP) See page 158.	Read:	0	0	0	0	0	0	MAP1	MAP0
		Write:								
		Reset:	0	0	0	0	0	0	1	1

R = Reserved = Buffered

Figure 15-3. Register Summary (Continued)

15.3 Timebase

This section provides a discussion of the timebase.

15.3.1 Resolution

For edge-aligned mode, a 12-bit up-only counter is used to create the PWM period. Therefore, the PWM resolution in edge-aligned mode is one clock (highest resolution is 125 ns @ BUSCLK = 8 MHz) as shown

in [Figure 15-4](#). Again, the timer modulus register is used to determine the maximum count. The PWM period will equal:

$(\text{timer modulus}) \times (\text{PWM clock period})$

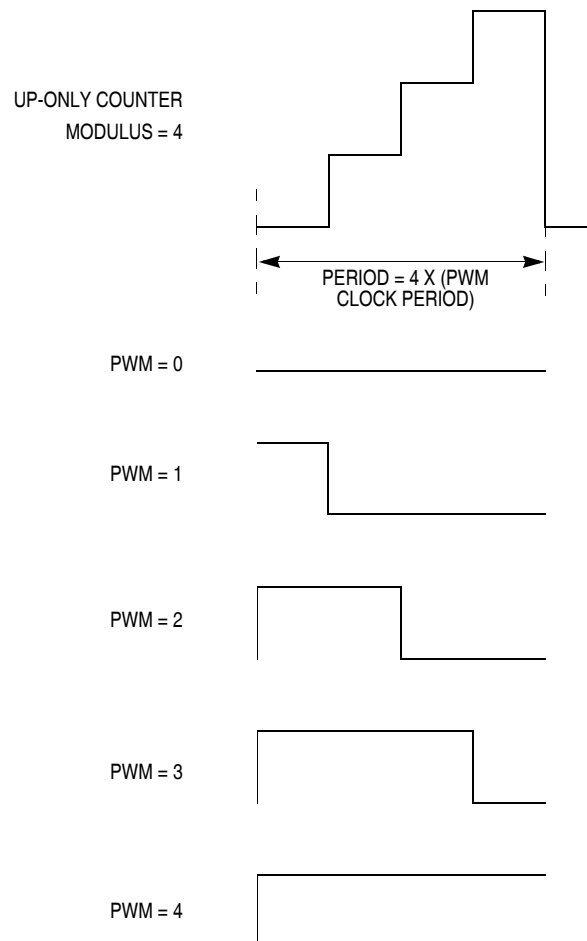


Figure 15-4. Edge-Aligned PWM (Positive Polarity)

15.3.2 Prescaler

To permit lower PWM frequencies, a prescaler is provided which will divide the PWM clock frequency by 1, 2, 4, or 8. [Table 15-1](#) shows how setting the prescaler bits in PWM control register 2 affects the PWM clock frequency. This prescaler is buffered and will not be used by the PWM generator until the LDOK bit is set and a new PWM reload cycle begins.

Table 15-1. PWM Prescaler

Prescaler Bits PRSC1 and PRSC0	PWM Clock Frequency
00	BUSCLK
01	BUSCLK/2
10	BUSCLK/4
11	BUSCLK/8

15.4 PWM Generators

Pulse-width modulator (PWM) generators are discussed in this subsection.

15.4.1 Load Operation

To help avoid erroneous pulse widths and PWM periods, the modulus, prescaler, and PWM value registers are buffered. New PWM values, counter modulus values, and prescalers can be loaded from their buffers into the PWM module every one, two, four, or eight PWM cycles. LDFQ1 and LDFQ0 in PWM control register 2 are used to control this reload frequency, as shown in [Table 15-2](#). When a reload cycle arrives, regardless of whether an actual reload occurs (as determined by the LDOK bit), the PWM reload flag bit in PWM control register 1 will be set. If the PWMINT bit in PWM control register 1 is set, a CPU interrupt request will be generated when PWMF is set. Software can use this interrupt to calculate new PWM parameters in real time for the PWM module.

Table 15-2. PWM Reload Frequency

Reload Frequency Bits LDFQ1 and LDFQ0	PWM Reload Frequency
00	Every PWM cycle
01	Every 2 PWM cycles
10	Every 4 PWM cycles
11	Every 8 PWM cycles

For ease of software, the LDFQx bits are buffered. When the LDFQx bits are changed, the reload frequency will not change until the previous reload cycle is completed. See [Figure 15-5](#).

NOTE

When reading the LDFQx bits, the value is the buffered value (for example, not necessarily the value being acted upon).

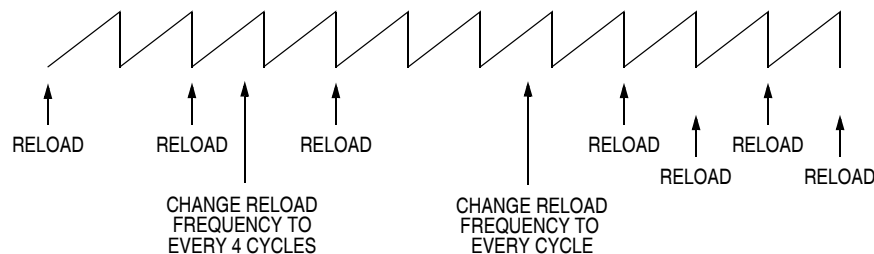


Figure 15-5. Reload Frequency Change

PWMINT enables CPU interrupt requests as shown in [Figure 15-6](#). When this bit is set, CPU interrupt requests are generated when the PWMF bit is set. When the PWMINT bit is clear, PWM interrupt requests are inhibited. PWM reloads will still occur at the reload rate, but no interrupt requests will be generated.

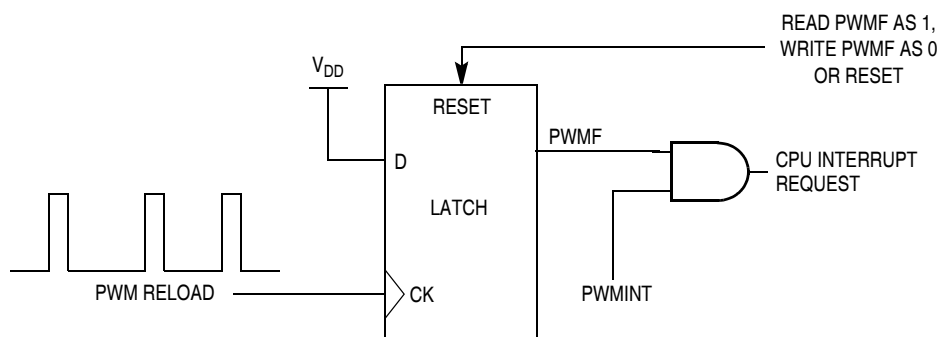


Figure 15-6. PWM Interrupt Requests

To prevent a partial reload of PWM parameters from occurring while the software is still calculating them, an interlock bit controlled from software is provided. This bit informs the PWM module that all the PWM parameters have been calculated, and it is “okay” to use them. A new modulus, prescaler, and/or PWM value cannot be loaded into the PWM module until the LDOK bit in PWM control register 1 is set. When the LDOK bit is set, these new values are loaded into a second set of registers and used by the PWM generator at the beginning of the next PWM reload cycle as shown in [Figure 15-7](#) and [Figure 15-8](#). After these values are loaded, the LDOK bit is cleared.

NOTE

When the PWM module is enabled (via the PWMEN bit), a load will occur if the LDOK bit is set. Even if it is not set, an interrupt will occur if the PWMINT bit is set. To prevent this, the software should clear the PWMINT bit before enabling the PWM module.

NOTE

Setting PWMEN forces PWM1 and PWM0 to be inputs and the appropriately configured FAULT pin to be an output, overriding the data

direction register. In order to read the states of the pins, the data direction register bit must be a 0.

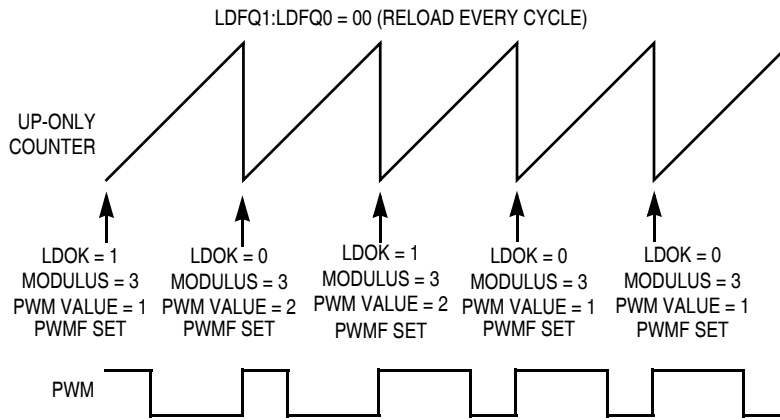


Figure 15-7. Edge-Aligned PWM Value Loading

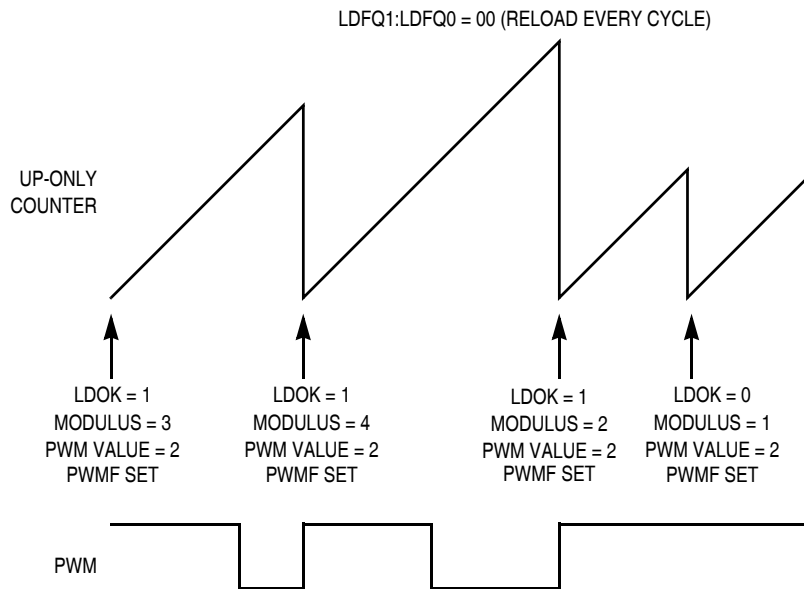


Figure 15-8. Edge-Aligned Modulus Loading

15.4.2 PWM Data Overflow and Underflow Conditions

The PWM value registers are 16-bit registers. Although the counter is only 12 bits, the user may write a 16-bit signed value to a PWM value register. As shown in [Figure 15-4](#), if the PWM value is less than or equal to zero, the PWM will be inactive for the entire period. Conversely, if the PWM value is greater than or equal to the timer modulus, the PWM will be active for the entire period. Refer to [Table 15-3](#).

NOTE

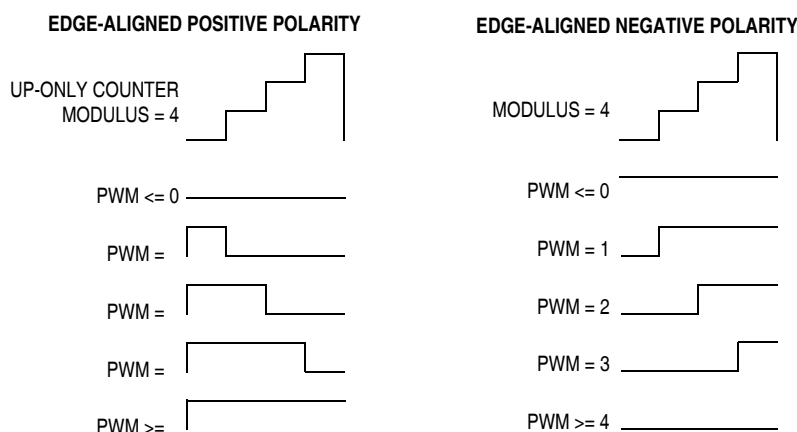
The terms “active” and “inactive” refer to the asserted and negated states of the PWM signals and should not be confused with the high-impedance state of the PWM pins.

Table 15-3. PWM Data Overflow and Underflow Conditions

PWMVALxH:PWMVALxL	Condition	PWM Value Used
\$0000–\$0FFF	Normal	Per register contents
\$1000–\$7FFF	Overflow	\$FFF
\$8000–\$FFFF	Underflow	\$000

15.4.3 Output Polarity

The output polarity of the PWMs is determined by the POLx bits. Positive polarity means that when the PWM is active, the PWM output is high. Conversely, negative polarity means that when the PWM is active, PWM output is low. See [Figure 15-9](#).

**Figure 15-9. PWM Output Polarity****15.5 Fault Protection**

Conditions may arise in the external drive circuitry which require that the PWM signals become inactive immediately. Furthermore, it may be desirable to selectively disable PWM(s) solely with software.

One or more PWM pins can be disabled (forced to their inactive state) by applying a logic high to the external fault pin or by writing a logic high to either of the disable bits (DIS0 and DIS1 in PWM control register 1). [Figure 15-10](#) shows the structure of the PWM disabling scheme. While the PWM pins are disabled, they are forced to their inactive state. The PWM generator continues

A fault can also generate a CPU interrupt. The fault pin has its own interrupt vector.

15.5.1 Fault Condition Input Pin

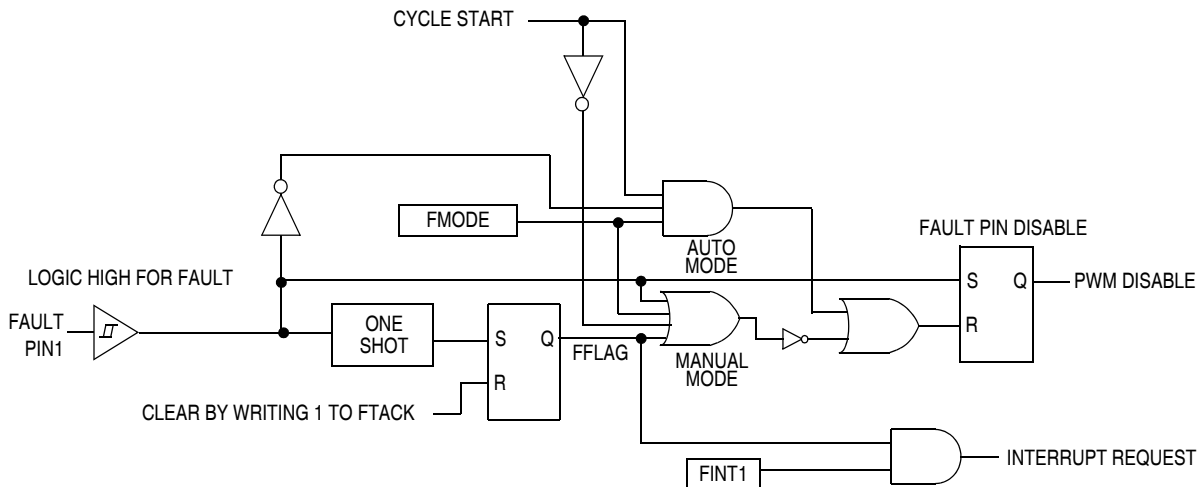
A logic high level on a fault pin disables the PWM(s) determined by the disable map bits (MAPx). The external fault pin is software-configurable to re-enable the PWMs either with the fault pin (automatic

Pulse Width Modulator with Fault Input (PWM)

mode) or with software (manual mode). The fault pin has an associated FMODE bit to control the PWM re-enabling method. Automatic mode is selected by setting the FMODE bit in the fault control register. Manual mode is selected when FMODE is clear.

The operation of the fault pin is asynchronous. If it is enabled by either the MAP0 or MAP1 disable bits and the fault pin goes high, the associated PWM(s) outputs are immediately disabled without waiting for the next bus cycle.

The location of the fault pin is software configurable to one of two locations. Enabling the fault functionality of a given pin does not disconnect that pin from any other module that is trying to use the pin.



Note:

In manual mode (FMODE = 0), fault may be cleared only if a logic level low at the input of the fault pin is present.

Figure 15-10. PWM Disabling Scheme

15.5.1.1 Automatic Mode

In automatic mode, the PWM(s) are disabled immediately once a fault condition is detected (logic high). The PWM(s) remain disabled until the fault condition is cleared (logic low) and a new PWM cycle begins as shown in Figure 15-11. Clearing the FFLAG event bit will not enable the PWMs in automatic mode.

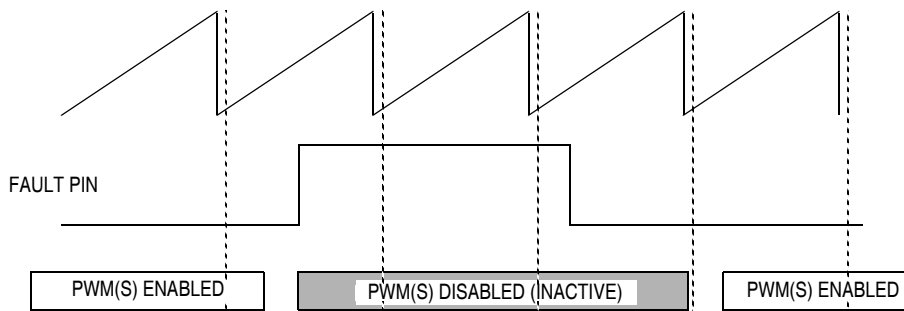


Figure 15-11. PWM Disabling in Automatic Mode

The fault pin's logic state is reflected in the FPIN bit. Any write to this bit is overwritten by the pin state. The FFLAG event bit is set with each rising edge of the fault pin. To clear the FFLAG bit, the user must write a 1 to the FTACK bit.

If the FINT bit is set, a fault condition resulting in setting the FFLAG bit will also latch a CPU interrupt request. The interrupt request latch is not cleared until one of these actions occurs:

- The FFLAG bit is cleared by writing a 1 to the corresponding FTACK bit.
- The FINT bit is cleared. This will not clear the FFLAG bit.
- A reset automatically clears the interrupt latch.

If prior to a vector fetch, the interrupt request latch is cleared by one of the actions listed, a CPU interrupt will no longer be requested. A vector fetch does not alter the state of the PWMs, the FFLAG event flag, or FINT.

NOTE

If the FFLAG or FINT bits are not cleared during the interrupt service routine, the interrupt request latch will not be cleared.

15.5.1.2 Manual Mode

In manual mode, the PWM(s) are disabled immediately once a fault condition is detected (logic high). The PWM(s) remain disabled until software clears the FFLAG event bit and a new PWM cycle begins. A fault condition on the pin can only be cleared, allowing the PWM(s) to enable, if a logic low level at the fault pin is present at the start of a PWM cycle. See [Figure 15-12](#).

The function of the fault control and event bits is the same as in automatic mode except that the PWMs are not re-enabled until the FFLAG event bit is cleared by writing to the FTACK bit and the fault condition is cleared (logic low).

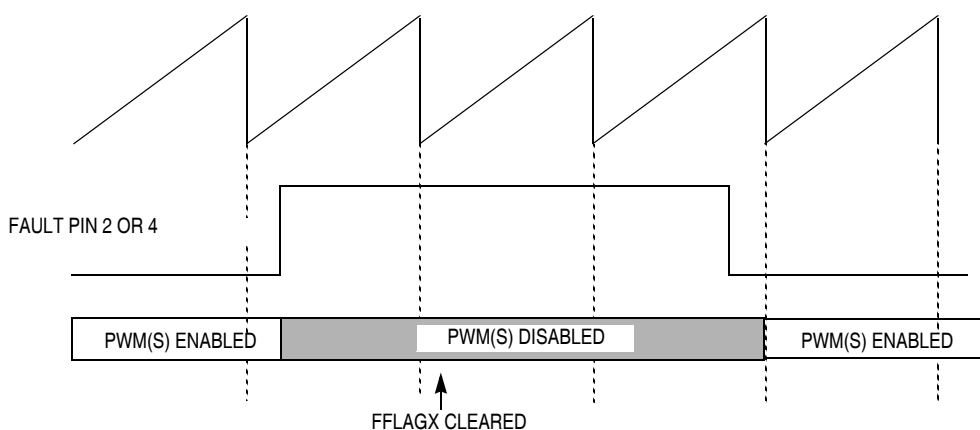


Figure 15-12. PWM Disabling in Manual Mode

15.5.2 Software Output Disable

Setting PWM disable bit DIS0 or DIS1 in PWM control register 1 immediately disables the corresponding PWM pins. The PWM pin(s) remain disabled until the PWM disable bit is cleared and a new PWM cycle begins as shown in

[Figure 15-13](#). Setting a PWM disable bit does not latch a CPU interrupt request, and there are no event flags associated with the PWM disable bits.

15.6 Initialization and the PWMEN Bit

For proper operation, all registers should be initialized and the LDOK bit should be set before enabling the PWM via the PWMEN bit. When the PWMEN bit is first set, a reload will occur immediately, setting the PWMF flag and generating an interrupt if PWMINT is set.

NOTE

If the LDOK bit is not set when PWMEN is set after a \overline{RESET} , the prescaler and PWM values will be 0, but the modulus will be unknown. If the LDOK bit is not set after the PWMEN bit has been cleared then set (without a \overline{RESET}), the modulus value that was last loaded will be used.

Because of the equals-comparator architecture of this PWM, the modulus = 0 case is considered illegal. Therefore, the modulus register is not reset, and a modulus value of 0 will result in waveforms inconsistent with the other modulus waveforms. See [15.8.2 PWM Counter Modulo Registers](#).

When PWMEN is set, the PWM pins change from high impedance to outputs. At this time, assuming no fault condition is present, the PWM pins will drive according to the PWM values and polarity. See the timing diagram in [Figure 15-13](#).

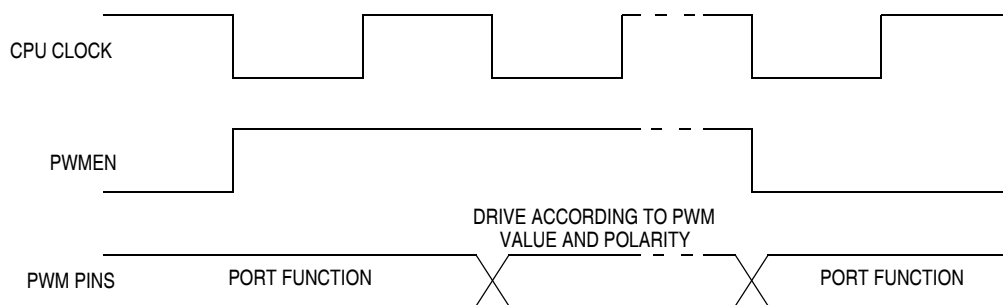


Figure 15-13. PWMEN and PWM Pins

When the PWMEN bit is cleared, this will occur:

- PWM pins will be three-stated
- PWM counter is cleared and will not be clocked
- Internally, the PWM generator will force its outputs to 0 to avoid glitches when the PWMEN is set again

When PWMEN is cleared, all fault circuitry remains active.

NOTE

The PWMF flag and pending CPU interrupts are NOT cleared when $PWMEN = 0$.

15.7 PWM Operation in Low-Power Modes

15.7.1 Wait Mode

When the microcontroller is put in low-power wait mode via the WAIT instruction, all clocks to the PWM module will continue to run. If an interrupt is issued from the PWM module (via a reload or a fault), the microcontroller will exit wait mode.

Clearing the PWMEN bit before entering wait mode will reduce power consumption in wait mode because the counter, prescaler divider, and LDFQ divider will no longer be clocked. In addition, power will be reduced because the PWMs will no longer toggle.

15.7.2 Stop Mode

When the microcontroller is put into stop mode via the STOP instruction, the PWM will stop functioning. The PWM0 and PWM1 outputs are set to logic 0. The STOP instruction does not affect the register conditions or the state of the PWM counters. When the MCU exits stop mode after an external interrupt the PWM resumes operation.

15.8 Control Logic Block

This subsection provides a description of the control logic block.

15.8.1 PWM Counter Registers

The PWM counter registers (PCNTH and PCNTL) display the 12-bit up-only counter. When the high byte of the counter is read, the lower byte is latched. PCNTL will hold this latched value until it is read. See [Figure 15-14](#) and [Figure 15-15](#).

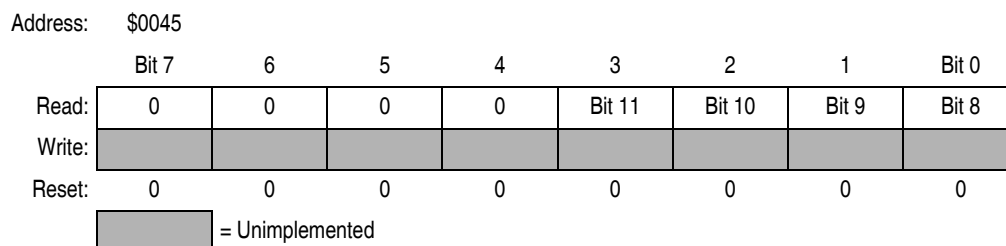


Figure 15-14. PWM Counter Register High (PCNTH)

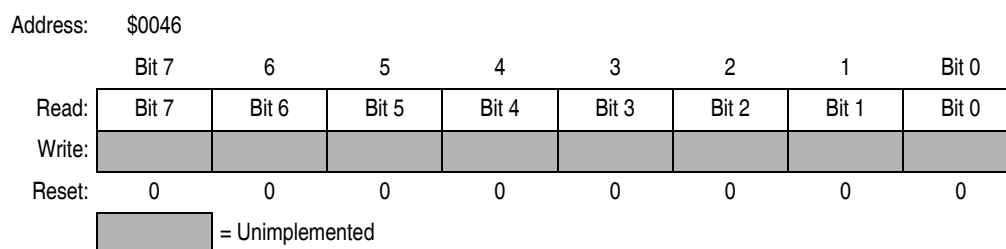


Figure 15-15. PWM Counter Register Low (PCNTL)

15.8.2 PWM Counter Modulo Registers

The PWM counter modulus registers (PMODH and PMODL) hold a 12-bit unsigned number that determines the maximum count for the up-only counter. The PWM period will equal the modulus. See [Figure 15-16](#) and [Figure 15-17](#).

Pulse Width Modulator with Fault Input (PWM)

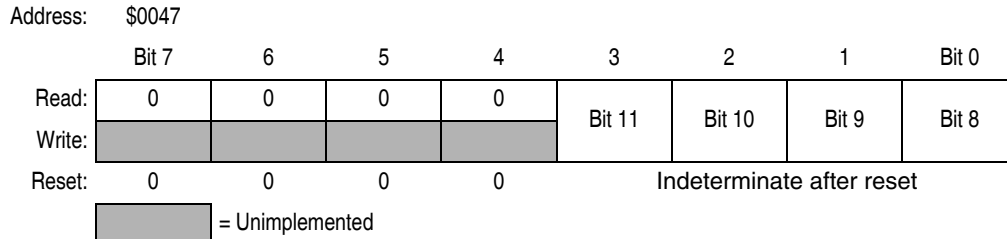


Figure 15-16. PWM Counter Modulo Register High (PMODH)

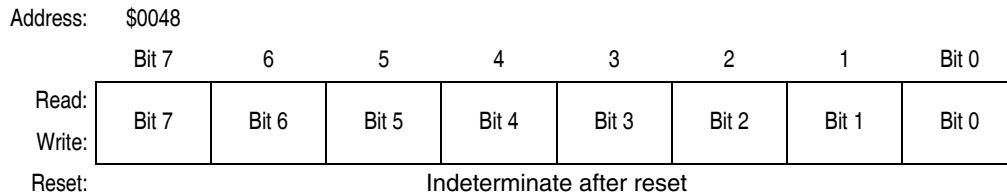


Figure 15-17. PWM Counter Modulo Register Low (PMODL)

To avoid erroneous PWM periods, this value is buffered and will not be used by the PWM generator until the LDOK bit has been set and the next PWM load cycle begins.

NOTE

When reading this register, the value read is the buffer (not necessarily the value the PWM generator is currently using).

Because of the equals-comparator architecture of this PWM, the modulus = 0 case is considered illegal. Therefore, the modulus register is not reset, and a modulus value of 0 will result in waveforms inconsistent with the other modulus waveforms. If a modulus of 0 is loaded, the counter will continually count down from \$FFF. This operation will not be tested or guaranteed (the user should consider it illegal). However, the fault conditions will still be guaranteed.

15.8.3 PWMx Value Registers

Each of the two PWMs has a 16-bit PWM value register.

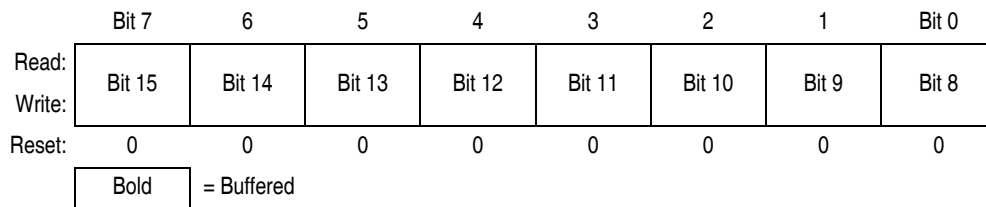


Figure 15-18. PWMx Value Registers High (PVALxH)

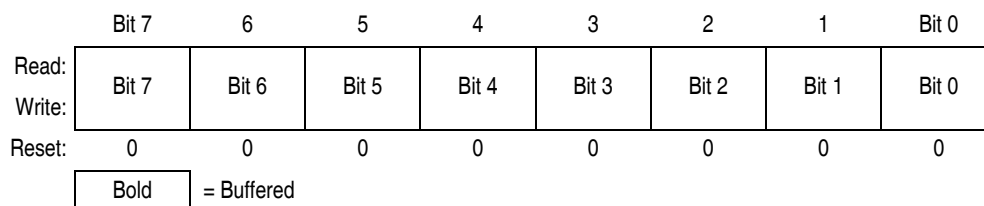


Figure 15-19. PWMx Value Registers Low (PVALxL)

The 16-bit signed value stored in this register determines the duty cycle of the PWM. The duty cycle is defined as:

$$(\text{PWM value}/\text{modulus}) \times 100$$

Writing a number less than or equal to 0 causes the PWM to be off for the entire PWM period. Writing a number greater than or equal to the 12-bit modulus causes the PWM to be on for the entire PWM period.

To avoid erroneous PWM pulses, this value is buffered and will not be used by the PWM generator until the LDOK bit has been set and the next PWM load cycle begins.

NOTE

When reading these registers, the value read is the buffer (not necessarily the value the PWM generator is currently using).

15.8.4 PWM Control Register 1

PWM control register 1 (PCTL1) controls PWM enabling/disabling, the location of the PWM Fault bit, the loading of new modulus, prescaler, PWM values, and the PWM correction method.

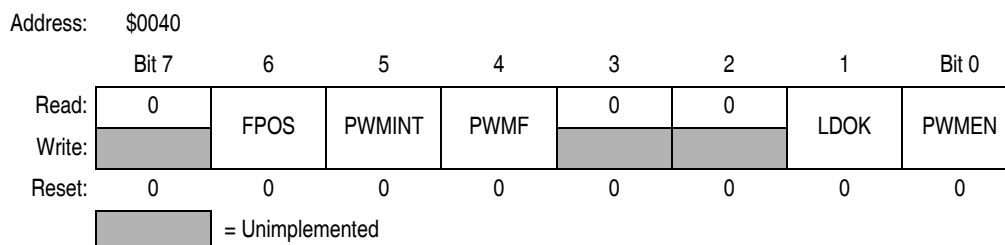


Figure 15-20. PWM Control Register 1 (PCTL1)

FPOS — Fault Pin Position Bit

This read/write bit allows the user to select the location of the Fault pin.

- 1 = Fault pin functionality is placed on PTB2
- 0 = Fault pin functionality is placed on PTB7

NOTE

Placing the Fault pin on PTB7 will not affect the ADC or the op amp/comparator connections. This is to allow the output of the op amp/comparator to be used as the input to the Fault pin and for this same signal to be simultaneously measured by the ADC.

PWMINT — PWM Interrupt Enable Bit

This read/write bit allows the user to enable and disable PWM CPU interrupts. If set, a CPU interrupt will be pending when the PWMF flag is set.

- 1 = Enable PWM CPU interrupts
- 0 = Disable PWM CPU interrupts

NOTE

When PWMINT is cleared, pending CPU interrupts are inhibited.

PWMF — PWM Reload Flag

This read/write bit is set at the beginning of every reload cycle regardless of the state of the LDOK bit. This bit is cleared by reading PWM control register 1 with the PWMF flag set, then writing a 0 to PWMF. If another reload occurs before the clearing sequence is complete, then writing 0 to PWMF has no effect.

- 1 = New reload cycle began
- 0 = New reload cycle has not begun

NOTE

When PWMF is cleared, pending PWM CPU interrupts are cleared (not including fault interrupts).

LDOK— Load OK Bit

This read/write bit loads the prescaler bits of the PMCTL2 register and the entire PMMODH/L and PWMVALH/L registers into a set of buffers. The buffered prescaler divisor, PWM counter modulus value, and PWM pulse will take effect at the next PWM load. Set LDOK by reading it when it is 0 and then writing a 1 to it. LDOK is automatically cleared after the new values are loaded or can be manually cleared before a reload by writing a 0 to it. Reset clears LDOK.

- 1 = Load prescaler, modulus, and PWM values
- 0 = Do not load new modulus, prescaler, and PWM values

NOTE

The user should initialize the PWM registers and set the LDOK bit before enabling the PWM. A PWM CPU interrupt request can still be generated when LDOK is 0.

PWMEN — PWM Module Enable Bit

This read/write bit enables and disables the PWM generator and the PWM pins. When PWMEN is clear, the PWM generator is disabled and the PWM pins are in the high-impedance state.

When the PWMEN bit is set, the PWM generator and PWM pins are activated.

For more information, see [15.6 Initialization and the PWMEN Bit](#).

- 1 = PWM generator and PWM pins enabled
- 0 = PWM generator and PWM pins disabled

15.8.5 PWM Control Register 2

PWM control register 2 (PCTL2) controls the PWM load frequency, PWM channel enabling/disabling, the PWM polarity, the PWM correction method, and the PWM counter prescaler. For ease of software and to avoid erroneous PWM periods, some of these register bits are buffered. The PWM generator will not use the prescaler value until the LDOK bit has been set, and a new PWM cycle is starting. The load frequency bits are not used until the current load cycle is complete.

See [Figure 15-21](#).

NOTE

The user should initialize this register before enabling the PWM.

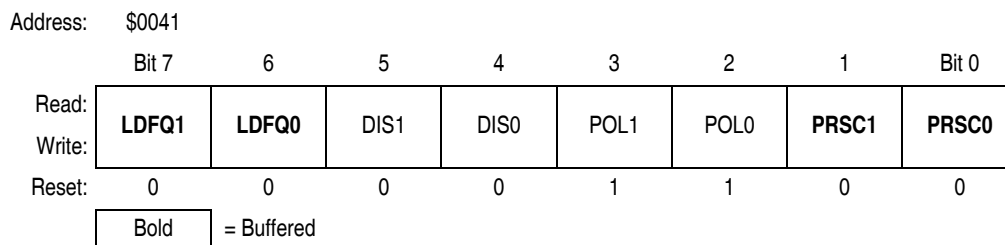


Figure 15-21. PWM Control Register 2 (PCTL2)

LDFQ1 and LDFQ0 — PWM Load Frequency Bits

These buffered read/write bits select the PWM CPU load frequency according to [Table 15-4](#).

NOTE

When reading these bits, the value read is the buffer value (not necessarily the value the PWM generator is currently using).

The LDFQx bits take effect when the current load cycle is complete regardless of the state of the load okay bit, LDOK.

Table 15-4. PWM Reload Frequency

Reload Frequency Bits LDFQ1 and LDFQ0	PWM Reload Frequency
00	Every PWM cycle
01	Every 2 PWM cycles
10	Every 4 PWM cycles
11	Every 8 PWM cycles

NOTE

Reading the LDFQx bit reads the buffered values and not necessarily the values currently in effect.

DIS1 — Software Disable Bit for PWM1

This read/write bit allows the user to disable pin PWM1.

1 = Disable PWM1

0 = Re-enable PWM1

DIS0 — Software Disable Bit for PWM0

This read/write bit allows the user to disable pin PWM0.

1 = Disable PWM0

0 = Re-enable PWM0

POL1 — Polarity Bit for PWM1

This read/write bit selects the polarity of the PWM waveform of PWM1. Positive polarity means that when the PWM is active the PWM output is high. Conversely, negative polarity means that when the PWM is active the PWM output is low.

1 = PWM1 has positive polarity

0 = PWM1 has negative polarity

Pulse Width Modulator with Fault Input (PWM)

POL0 — This read/write bit selects the polarity of the PWM waveform of PWM1. Positive polarity means that when the PWM is active the PWM output is high. Conversely, negative polarity means that when the PWM is active the PWM output is low.

1 = PWM0 has positive polarity

0 = PWM0 has negative polarity

PRSC1 and PRSC0 — PWM Prescaler Bits

These buffered read/write bits allow the PWM clock frequency to be modified as shown in [Table 15-5](#).

NOTE

When reading these bits, the value read is the buffer value (not necessarily the value the PWM generator is currently using).

Table 15-5. PWM Prescaler

Prescaler Bits PRSC1 and PRSC0	PWM Clock Frequency
00	BUSCLK
01	BUSCLK/2
10	BUSCLK/4
11	BUSCLK/8

15.8.6 PWM Disable Mapping Write-Once Register

The PWM disable mapping write-once register (DISMAP) contains two bits that control the PWM pins that will be disabled if an external fault occurs. After this register is written for the first time, it cannot be rewritten unless a reset occurs.

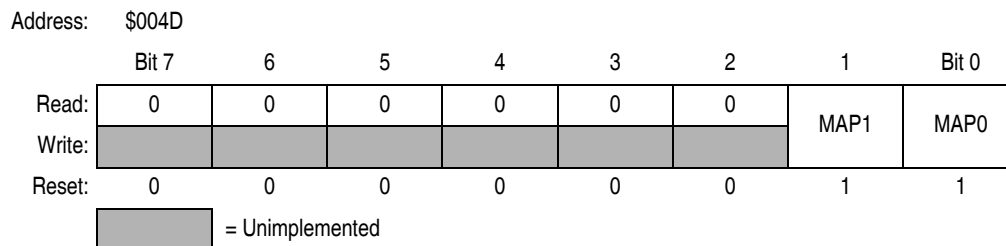


Figure 15-22. PWM Disable Mapping Write-Once Register (DISMAP)

MAP1 — Disable Map for PWM1 Bit

This write-once bit allows the user to select PWM1 to be disabled when a logic 1 is present on the FAULT pin.

1 = Disables PWM1 when an external fault occurs

0 = Prevents PWM1 from being disabled by hardware

MAP0 — Disable Map for PWM0 Bit

This write-once bit allows the user to select PWM0 to be disabled when a logic 1 is present on the FAULT pin.

1 = Disables PWM0 when an external fault occurs

0 = Prevents PWM0 from being disabled by hardware

15.8.7 Fault Control Register

The fault control register (FCR) controls the fault-protection circuitry.

Address: \$0042

	Bit 7	6	5	4	3	2	1	Bit 0
Read:	0	0	0	0	0	0	FINT	FMODE
Write:	[Unimplemented]							
Reset:	0	0	0	0	0	0	0	0

[Unimplemented] = Unimplemented

Figure 15-23. Fault Control Register (FCR)

FINT — Fault Interrupt Enable Bit

This read/write bit allows the CPU interrupt caused by faults on the fault pin to be enabled. The fault protection circuitry is independent of this bit and will always be active. If a fault is detected, the PWM pins will still be disabled according to the disable mapping register.

- 1 = Fault pin will cause CPU interrupts
- 0 = Fault pin will not cause CPU interrupts

FMODE — Fault Mode Selection for Fault Pin Bit (automatic versus manual mode)

This read/write bit allows the user to select between automatic and manual mode faults. For further descriptions of each mode, see [15.5 Fault Protection](#).

- 1 = Automatic mode
- 0 = Manual mode

15.8.8 Fault Status Register

The fault status register (FSR) is a read-only register that indicates the current fault status.

Address: \$0043

	Bit 7	6	5	4	3	2	1	Bit 0
Read:	0	0	0	0	0	0	FPIN	FFLAG
Write:	[Unimplemented]							
Reset:	0	0	0	0	0	0	U	0

[Unimplemented] = Unimplemented U = Unaffected

Figure 15-24. Fault Status Register (FSR)

FPIN — State of Fault Pin Bit

This read-only bit allows the user to read the current state of the fault pin.

- 1 = Fault pin is at logic 1
- 0 = Fault pin is at logic 0

FFLAG — Fault Event Flag

The FFLAG event bit is set immediately when a rising edge is seen on the fault pin. To clear the FFLAG bit, the user must write a 1 to the FTACK bit in the fault acknowledge register.

- 1 = A fault has occurred on the fault pin
- 0 = No new fault on the fault pin

15.8.9 Fault Control Register 2

The fault control register 2 (FCR2) is used to acknowledge and clear the FFLAG.

Address: \$0044

	Bit 7	6	5	4	3	2	1	Bit 0
Read:	0	0	0	0	0	0	0	0
Write:								FTACK
Reset:	0	0	0	0	0	0	0	0


 = Unimplemented

Figure 15-25. Fault Control Register (FCR2)

FTACK — Fault Acknowledge Bit

The FTACK bit is used to acknowledge and clear FFLAG. This bit will always read 0. Writing a 1 to this bit will clear FFLAG. Writing a 0 will have no effect.

15.9 PWM Glossary

CPU cycle

One internal bus cycle (1/BUSCLK)

PWM clock cycle (or period)

One tick of the PWM counter (1/BUSCLK with no prescaler). See [Figure 15-26](#).

PWM cycle (or period)

Edge-aligned mode: The time it takes the PWM counter to count up (modulus/BUSCLK). See [Figure 15-26](#).

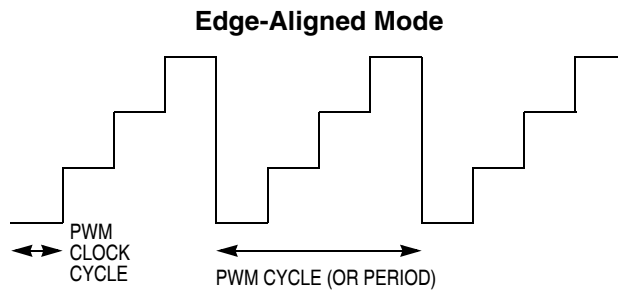


Figure 15-26. PWM Clock Cycle and PWM Cycle Definition

PWM Load Frequency

Frequency at which new PWM parameters get loaded into the PWM. See [Figure 15-27](#).

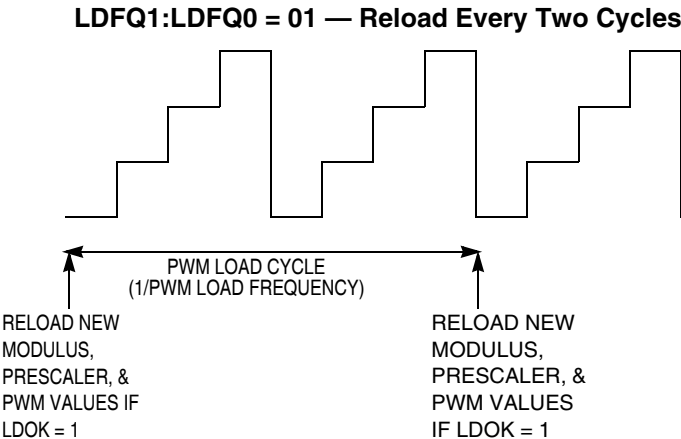


Figure 15-27. PWM Load Cycle/Frequency Definition

Chapter 16

Resets and Interrupts

16.1 Introduction

Resets and interrupts are responses to exceptional events during program execution. A reset re-initializes the microcontroller (MCU) to its startup condition. An interrupt vectors the program counter to a service routine.

16.2 Resets

A reset immediately returns the MCU to a known startup condition and begins program execution from a user-defined memory location.

16.2.1 Effects

A reset:

- Immediately stops the operation of the instruction being executed
- Initializes certain control and status bits
- Loads the program counter with a user-defined reset vector address from locations \$FFFE and \$FFFF

16.2.2 External Reset

A logic 0 applied to $\overline{\text{RST}}$ for a time, t_{IRL} , generates an external reset when pin PTA5/ $\overline{\text{RST}}$ /KB5 is configured as a reset pin. An external reset sets the PIN bit in the system integration module (SIM) reset status register.

16.2.3 Internal Reset

Sources:

- Power-on reset (POR)
- Computer operating properly (COP)
- Low-power reset circuits
- Illegal opcode
- Illegal address

16.2.3.1 Power-On Reset (POR)

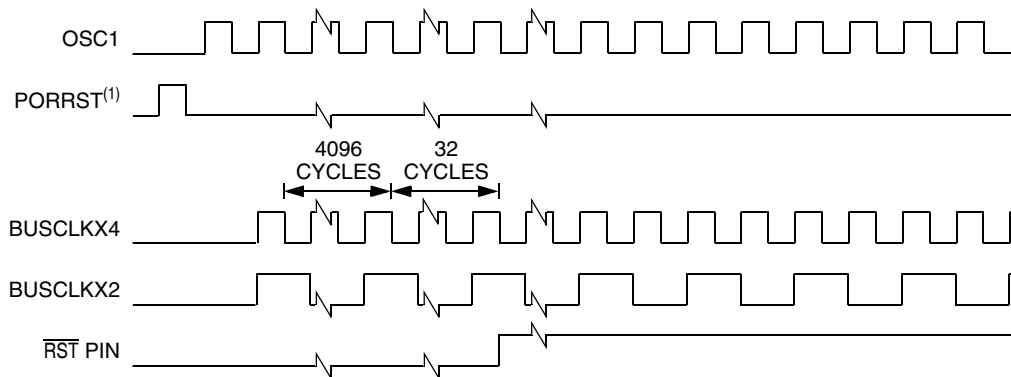
A power-on reset (POR) is an internal reset caused by a positive transition on the V_{DD} pin. V_{DD} at the POR must go below POR rearm voltage (V_{POR}) to reset the MCU. This distinguishes between a reset and a POR. The POR is not a brown-out detector, low-voltage detector, or glitch detector.

A power-on reset:

- Drives the $\overline{\text{RST}}$ pin low during the oscillator stabilization delay

Resets and Interrupts

- Releases the $\overline{\text{RST}}$ pin 32 BUSCLKX4 cycles after the oscillator stabilization delay
- Sets the POR bit in the SIM reset status register and clears all other bits in the register



1. PORRST is an internally generated power-on reset pulse.

Figure 16-1. Power-On Reset Recovery

16.2.3.2 Computer Operating Properly (COP) Reset

A computer operating properly (COP) reset is an internal reset caused by an overflow of the COP counter. A COP reset sets the COP bit in the SIM reset status register.

To clear the COP counter and prevent a COP reset, write any value to the COP control register at location \$FFFF.

16.2.3.3 Low-Voltage Inhibit (LVI) Reset

A low-voltage inhibit (LVI) reset is an internal reset caused by a drop in the power supply voltage to the $\text{LVI}_{\text{TRIPF}}$ voltage.

An LVI reset:

- Holds the clocks to the CPU and modules inactive for an oscillator stabilization delay of 4096 BUSCLKX4 cycles after the power supply voltage rises to the $\text{LVI}_{\text{TRIPF}}$ voltage
- Drives the $\overline{\text{RST}}$ pin low for as long as V_{DD} is below the $\text{LVI}_{\text{TRIPF}}$ voltage and during the oscillator stabilization delay
- Sets the LVI bit in the SIM reset status register

16.2.3.4 Illegal Opcode Reset

An illegal opcode reset is an internal reset caused by an opcode that is not in the instruction set. An illegal opcode reset sets the ILOP bit in the SIM reset status register.

If the stop enable bit, STOP, in the CONFIG1 register is a 0, the STOP instruction causes an illegal opcode reset.

16.2.3.5 Illegal Address Reset

An illegal address reset is an internal reset caused by opcode fetch from an unmapped address. An illegal address reset sets the ILAD bit in the SIM reset status register.

A data fetch from an unmapped address does not generate a reset.

16.2.4 System Integration Module (SIM) Reset Status Register

This read-only register contains flags to show reset sources. All flag bits are automatically cleared following a read of the register. Reset service can read the SIM reset status register to clear the register after power-on reset and to determine the source of any subsequent reset.

The register is initialized on power-up as shown with the POR bit set and all other bits cleared. During a POR or any other internal reset, the $\overline{\text{RST}}$ pin is pulled low as long as pin PTA5/ $\overline{\text{RST}}$ /KB5 is configured for reset operation.

NOTE

Only a read of the SIM reset status register clears all reset flags. After multiple resets from different sources without reading the register, multiple flags remain set.

Address: \$FE01

	Bit 7	6	5	4	3	2	1	Bit 0
Read:	POR	PIN	COP	ILOP	ILAD	MODRST	LVI	0
Write:								
POR:	1	0	0	0	0	0	0	0


 = Unimplemented

Figure 16-2. SIM Reset Status Register (SRSR)

POR — Power-On Reset Flag

- 1 = Power-on reset since last read of SRSR
- 0 = Read of SRSR since last power-on reset

PIN — External Reset Flag

- 1 = External reset via $\overline{\text{RST}}$ pin since last read of SRSR
- 0 = POR or read of SRSR since last external reset

COP — Computer Operating Properly Reset Bit

- 1 = Last reset caused by timeout of COP counter
- 0 = POR or read of SRSR since any reset

ILOP — Illegal Opcode Reset Bit

- 1 = Last reset caused by an illegal opcode
- 0 = POR or read of SRSR since any reset

ILAD — Illegal Address Reset Bit

- 1 = Last reset caused by an opcode fetch from an illegal address
- 0 = POR or read of SRSR since any reset

MODRST — Monitor Mode Entry Module Reset Bit

- 1 = Last reset caused by forced monitor mode entry.
- 0 = POR or read of SRSR since any reset

LVI — Low-Voltage Inhibit Reset Bit

- 1 = Last reset caused by low-power supply voltage
- 0 = POR or read of SRSR since any reset

16.3 Interrupts

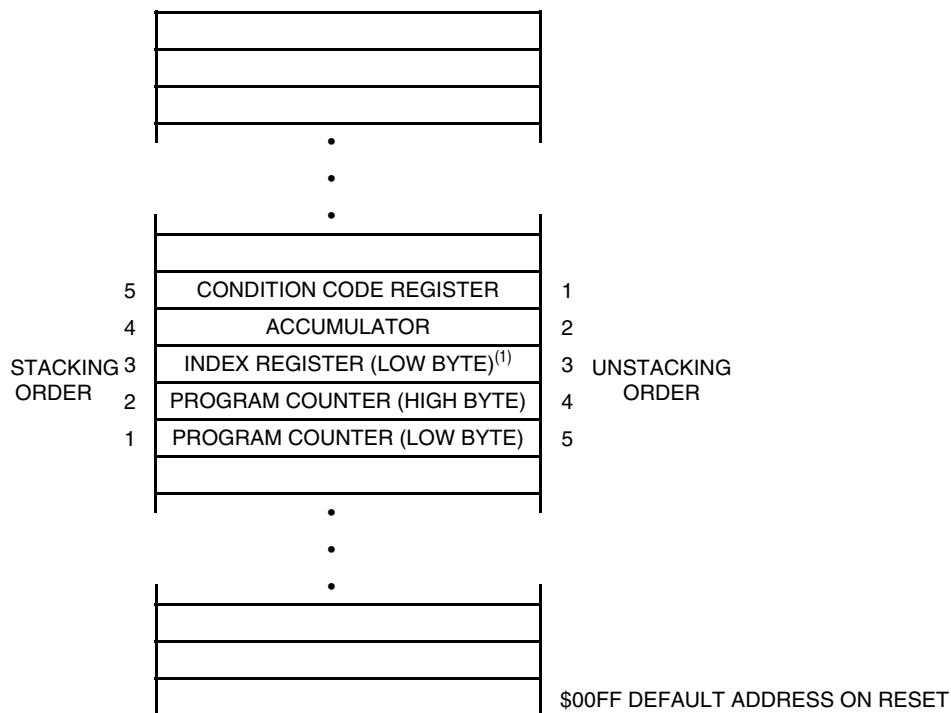
An interrupt temporarily changes the sequence of program execution to respond to a particular event. An interrupt does not stop the operation of the instruction being executed, but begins when the current instruction completes its operation.

16.3.1 Effects

An interrupt:

- Saves the CPU registers on the stack. At the end of the interrupt, the RTI instruction recovers the CPU registers from the stack so that normal processing can resume.
- Sets the interrupt mask (I bit) to prevent additional interrupts. Once an interrupt is latched, no other interrupt can take precedence, regardless of its priority.
- Loads the program counter with a user-defined vector address

After every instruction, the CPU checks all pending interrupts if the I bit is not set. If more than one interrupt is pending when an instruction is done, the highest priority interrupt is serviced first. In the example shown in Figure 16-4, if an interrupt is pending upon exit from the interrupt service routine, the pending interrupt is serviced before the LDA instruction is executed.



1. High byte of index register is not stacked.

Figure 16-3. Interrupt Stacking Order

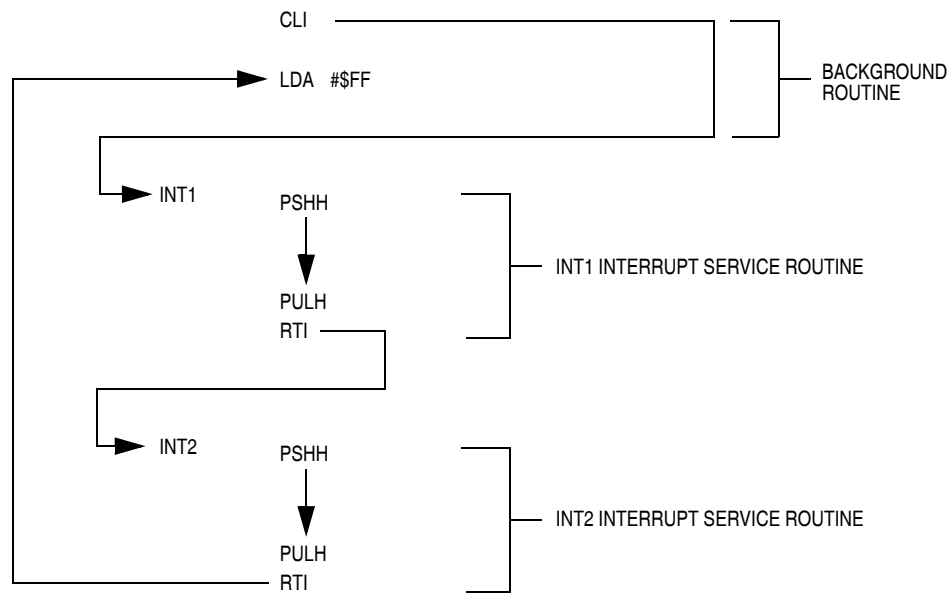


Figure 16-4. Interrupt Recognition Example

The LDA opcode is prefetched by both the INT1 and INT2 RTI instructions. However, in the case of the INT1 RTI prefetch, this is a redundant operation.

NOTE

To maintain compatibility with the M6805 Family, the H register is not pushed on the stack during interrupt entry. If the interrupt service routine modifies the H register or uses the indexed addressing mode, save the H register and then restore it prior to exiting the routine.

See [Figure 16-5](#) for a flowchart depicting interrupt processing.

16.3.2 Sources

The sources in [Table 16-1](#) can generate CPU interrupt requests.

Table 16-1. Interrupt Sources

Source	Flag	Mask ⁽¹⁾	Priority ⁽²⁾	Vector Address
Reset	None	None	0	\$FFFE-\$FFFF
SWI instruction	None	None	1	\$FFFC-\$FFFD
$\overline{\text{IRQ}}$ pin	IRQF	IMASK	2	\$FFFA-\$FFFB
TIM channel 0	CH0F	CH0IE	3	\$FFF6-\$FFF7
TIM channel 1	CH1F	CH1IE	4	\$FFF4-\$FFF5
TIM overflow	TOF	TOIE	5	\$FFF2-\$FFF3
FAULT interrupt (PWM)	FFLAG	FINT	6	\$FFF1-\$FFF0
PWMINT interrupt (PWM)	PWMINT	WPMF	7	\$FFEF-\$FFEE
SHTDWN interrupt	SHTIF	SHTIEN	8	\$FFED-\$FFEC
Keyboard pin	KEYF	IMASKK	9	\$FFE0-\$FFE1
ADC conversion complete	COCO	AIEN	10	\$FFDF-\$FFDE

NOTES:

1. The I bit in the condition code register is a global mask for all interrupt sources except the SWI instruction.
2. 0 = highest priority

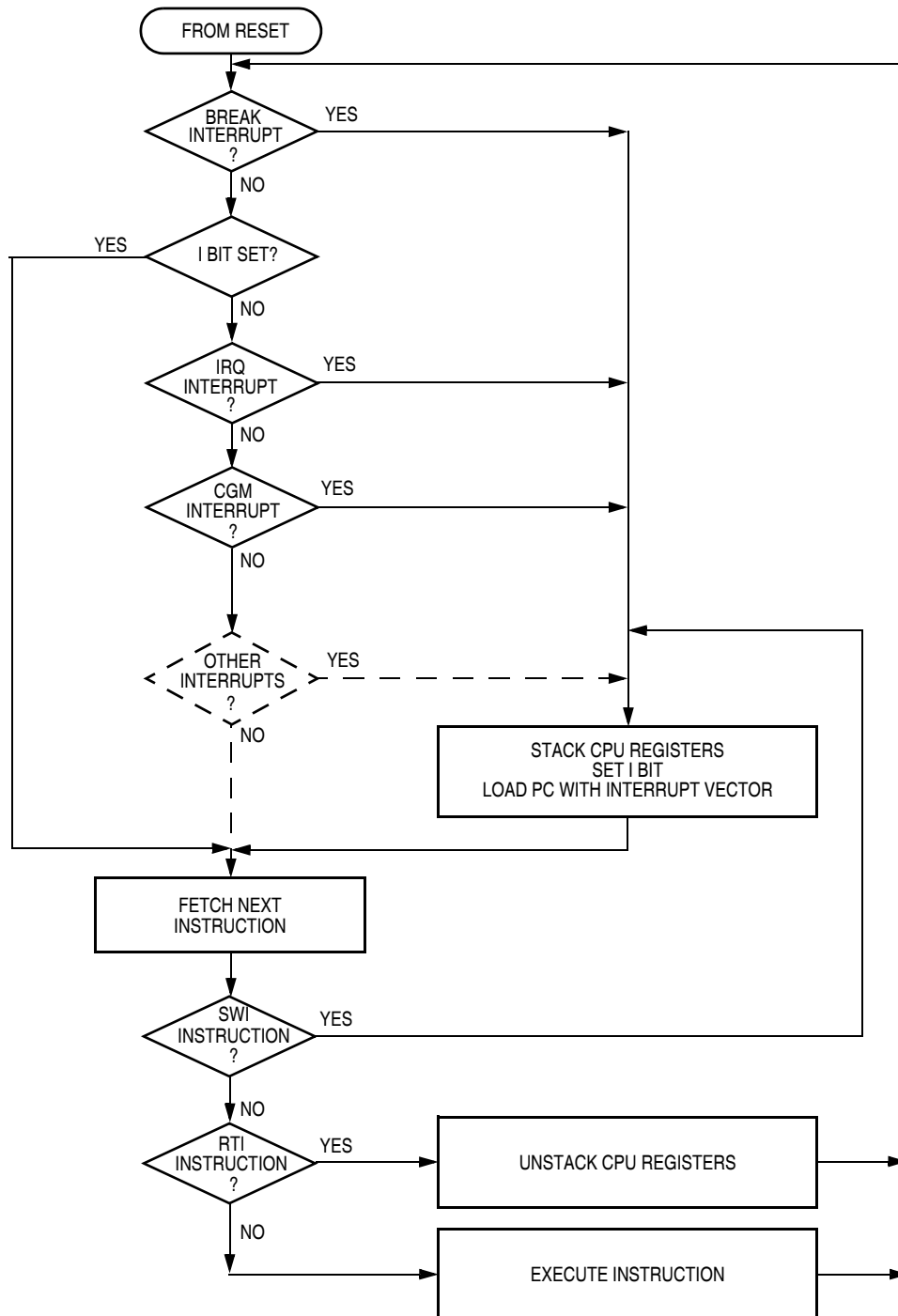


Figure 16-5. Interrupt Processing

16.3.2.1 Software Interrupt (SWI) Instruction

The software interrupt (SWI) instruction causes a non-maskable interrupt.

NOTE

*A software interrupt pushes PC onto the stack. An SWI does **not** push PC – 1, as a hardware interrupt does.*

16.3.2.2 Break Interrupt

The break module causes the CPU to execute an SWI instruction at a software-programmable break point.

16.3.2.3 \overline{IRQ} Pin

A logic 0 on the \overline{IRQ} pin latches an external interrupt request when pin PTC2/SHTDWN/ \overline{IRQ} is configured as a software interrupt.

16.3.2.4 Timer Interface Module (TIM)

TIM CPU interrupt sources:

- TIM overflow flag (TOF) — The TOF bit is set when the TIM counter value rolls over to \$0000 after matching the value in the TIM counter modulo registers. The TIM overflow interrupt enable bit, TOIE, enables TIM overflow CPU interrupt requests. TOF and TOIE are in the TIM status and control register.
- TIM channel flags (CH1F–CH0F) — The CHxF bit is set when an input capture or output compare occurs on channel x. The channel x interrupt enable bit, CHxIE, enables channel x TIM CPU interrupt requests. CHxF and CHxIE are in the TIM channel x status and control register.

16.3.2.5 KBD0–KBD6 Pins

A logic 0 on a keyboard interrupt pin latches an external interrupt request.

16.3.2.6 Analog-to-Digital Converter (ADC)

When the AIEN bit is set, the ADC module is capable of generating a CPU interrupt after each ADC conversion. The COCO bit is not used as a conversion complete flag when interrupts are enabled.

16.3.2.7 Pulse-Width Modulator with Fault Input (PWM)

PWM CPU interrupt sources:

- Fault pin interrupt (FAULT) — When the FINT bit is set, the PWM module is capable of generating a CPU interrupt on detection of a rising edge on the FAULT pin.
- PWM interrupt (PWMINT) — When the PWMINT bit is set, the PWM module is capable of generating a CPU interrupt when the PWM reload flag (PWMF) is set. The PWMF bit is set at the beginning of every reload cycle.

16.3.2.8 High Resolution PWM (HRP)

When the SHTIE bit is set, the HRP module is capable of generating a CPU interrupt on detection of a falling edge or a low level on the SHTDN pin.

Chapter 17

System Integration Module (SIM)

17.1 Introduction

This section describes the system integration module (SIM). Together with the central processor unit (CPU), the SIM controls all microcontroller unit (MCU) activities. A block diagram of the SIM is shown in [Figure 17-1](#). [Table 17-1](#) is a summary of the SIM input/output (I/O) registers. The SIM is a system state controller that coordinates CPU and exception timing.

The SIM is responsible for:

- Bus clock generation and control for CPU and peripherals:
 - Stop/wait/reset/break entry and recovery
 - Internal clock control
- Master reset control, including power-on reset (POR) and computer operating properly (COP) timeout
- Interrupt control:
 - Acknowledge timing
 - Arbitration control timing
 - Vector address generation
- CPU enable/disable timing
- Modular architecture expandable to 128 interrupt sources

[Table 17-1](#) shows the internal signal names used in this section.

System Integration Module (SIM)

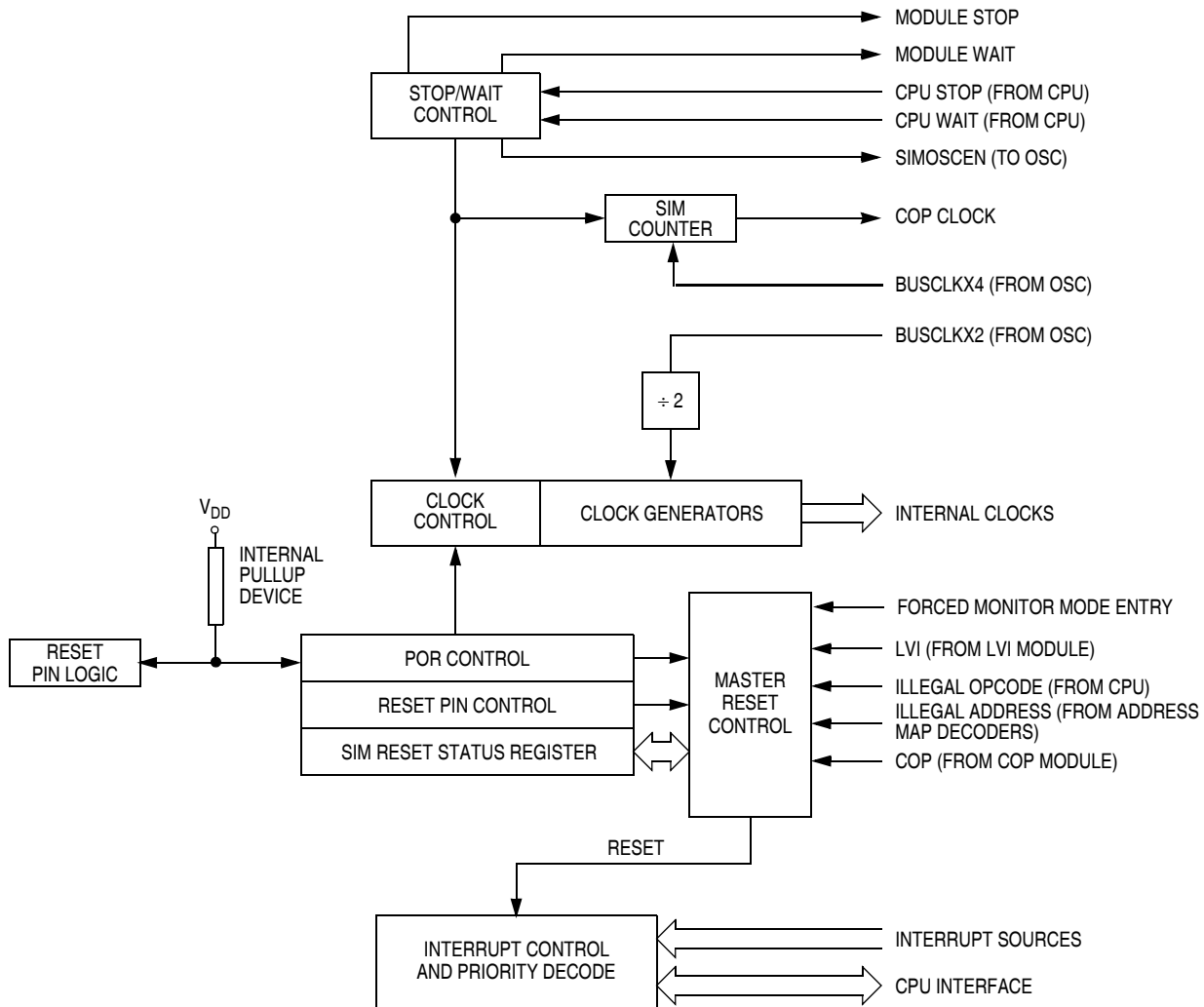


Figure 17-1. SIM Block Diagram
Table 17-1. Signal Name Conventions

Signal Name	Description
BUSCLKX4	Buffered clock from the internal, RC or XTAL oscillator circuit.
BUSCLKX2	The BUSCLKX4 frequency divided by two. This signal is again divided by two in the SIM to generate the internal bus clocks (bus clock = BUSCLKX4 \div 4).
IAB	Internal address bus
IDB	Internal data bus
PORRST	Signal from the power-on reset module to the SIM
IRST	Internal reset signal
R/ \bar{W}	Read/write signal

Addr.	Register Name		Bit 7	6	5	4	3	2	1	Bit 0
\$FE00	Break Status Register (BSR) See page 183.	Read:	R	R	R	R	R	R	SBSW	R
		Write:							Note ⁽¹⁾	
		Reset:	0	0	0	0	0	0	0	0
			1. Writing a 0 clears SBSW.							
\$FE01	SIM Reset Status Register (SRSR) See page 184.	Read:	POR	PIN	COP	ILOP	ILAD	MODRST	LVI	0
		Write:								
		POR:	1	0	0	0	0	0	0	0
\$FE03	Break Flag Control Register (BFCR) See page 185.	Read:	BCFE	R	R	R	R	R	R	R
		Write:								
		Reset:	0							
			[Grey Box] = Unimplemented		[R] = Reserved					

Figure 17-2. SIM I/O Register Summary

17.2 SIM Bus Clock Control and Generation

The bus clock generator provides system clock signals for the CPU and peripherals on the MCU. The system clocks are generated from an incoming clock, BUSCLKX2, as shown in [Figure 17-3](#).

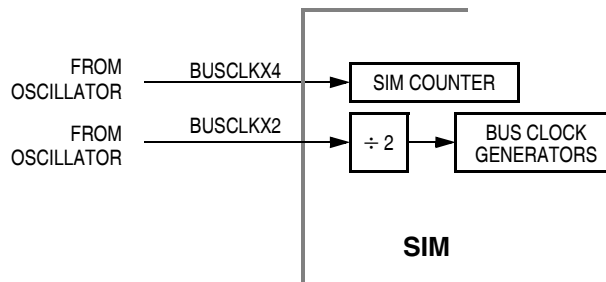


Figure 17-3. SIM Clock Signals

17.2.1 Bus Timing

In user mode, the internal bus frequency is the oscillator frequency (BUSCLKX4) divided by four.

17.2.2 Clock Start-Up from POR

When the power-on reset module generates a reset, the clocks to the CPU and peripherals are inactive and held in an inactive phase until after the 4096 BUSCLKX4 cycle POR time out has completed. The RST pin is driven low by the SIM during this entire period. The IBUS clocks start upon completion of the time out.

17.2.3 Clocks in Stop Mode and Wait Mode

Upon exit from stop mode by an interrupt or reset, the SIM allows BUSCLKX4 to clock the SIM counter. The CPU and peripheral clocks do not become active until after the stop delay time out. This time out is selectable as 4096 or 32 BUSCLKX4 cycles. See [17.6.2 Stop Mode](#).

In wait mode, the CPU clocks are inactive. The SIM also produces two sets of clocks for other modules. Refer to the wait mode subsection of each module to see if the module is active or inactive in wait mode. Some modules can be programmed to be active in wait mode.

17.3 Reset and System Initialization

The MCU has these reset sources:

- Power-on reset module (POR)
- External reset pin ($\overline{\text{RST}}$)
- Computer operating properly module (COP)
- Low-voltage inhibit module (LVI)
- Illegal opcode
- Illegal address
- Forced monitor mode entry reset (MODRST)

All of these resets produce the vector \$FFFE:\$FFFF (\$FEFE:\$FEFF in monitor mode) and assert the internal reset signal (IRST). IRST causes all registers to be returned to their default values and all modules to be returned to their reset states.

An internal reset clears the SIM counter (see 17.4 SIM Counter), but an external reset does not. Each of the resets sets a corresponding bit in the SIM reset status register (SRSR). See 17.7 SIM Registers.

17.3.1 External Pin Reset

The $\overline{\text{RST}}$ pin circuit includes an internal pullup device. Pulling the asynchronous $\overline{\text{RST}}$ pin low halts all processing. The PIN bit of the SIM reset status register (SRSR) is set as long as $\overline{\text{RST}}$ is held low for a minimum of 67 BUSCLKX4 cycles, assuming that neither the POR nor the LVI was the source of the reset. See Table 17-2 for details. Figure 17-4 shows the relative timing.

Table 17-2. PIN Bit Set Timing

Reset Type	Number of Cycles Required to Set PIN
POR/LVI	4163 (4096 + 64 + 3)
All others	67 (64 + 3)

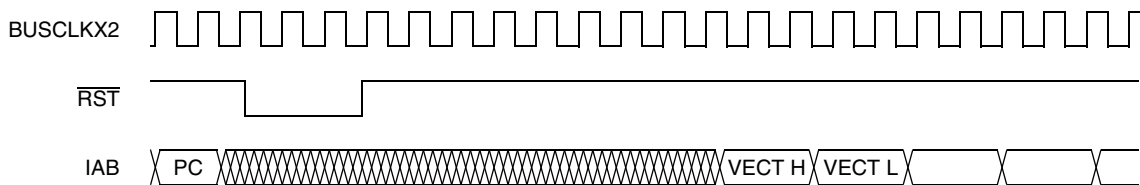


Figure 17-4. External Reset Timing

17.3.2 Active Resets from Internal Sources

All internal reset sources actively pull the $\overline{\text{RST}}$ pin low for 32 BUSCLKX4 cycles to allow resetting of external peripherals. The internal reset signal IRST continues to be asserted for an additional 32 cycles.

See Figure 17-5. An internal reset can be caused by an illegal address, illegal opcode, COP timeout, LVI, or POR. See Figure 17-6.

NOTE

For LVI or POR resets, the SIM cycles through 4096 + 32 BUSCLKX4 cycles during which the SIM forces the \overline{RST} pin low. The internal reset signal then follows the sequence from the falling edge of \overline{RST} shown in Figure 17-5.

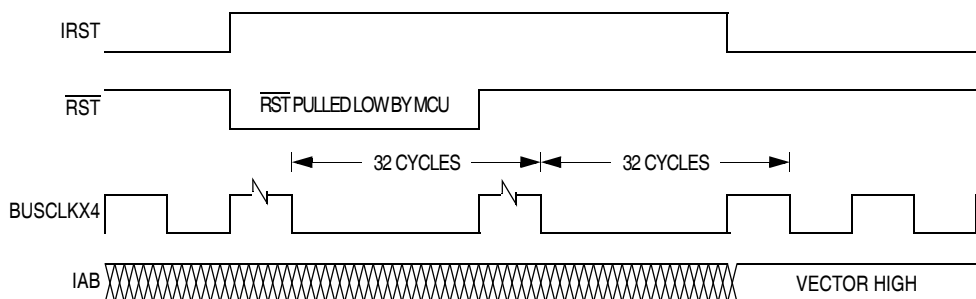


Figure 17-5. Internal Reset Timing

The COP reset is asynchronous to the bus clock.

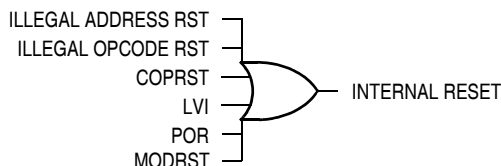


Figure 17-6. Sources of Internal Reset

The active reset feature allows the part to issue a reset to peripherals and other chips within a system built around the MCU.

17.3.2.1 Power-On Reset

When power is first applied to the MCU, the power-on reset module (POR) generates a pulse to indicate that power-on has occurred. The external reset pin (\overline{RST}) is held low while the SIM counter counts out 4096 + 32 BUSCLKX4 cycles. Thirty-two BUSCLKX4 cycles later, the CPU and memories are released from reset to allow the reset vector sequence to occur.

At power-on, these events occur:

- A POR pulse is generated.
- The internal reset signal is asserted.
- The SIM enables the oscillator to drive BUSCLKX4.
- Internal clocks to the CPU and modules are held inactive for 4096 BUSCLKX4 cycles to allow stabilization of the oscillator.
- The \overline{RST} pin is driven low during the oscillator stabilization time.
- The POR bit of the SIM reset status register (SRSR) is set and all other bits in the register are cleared.

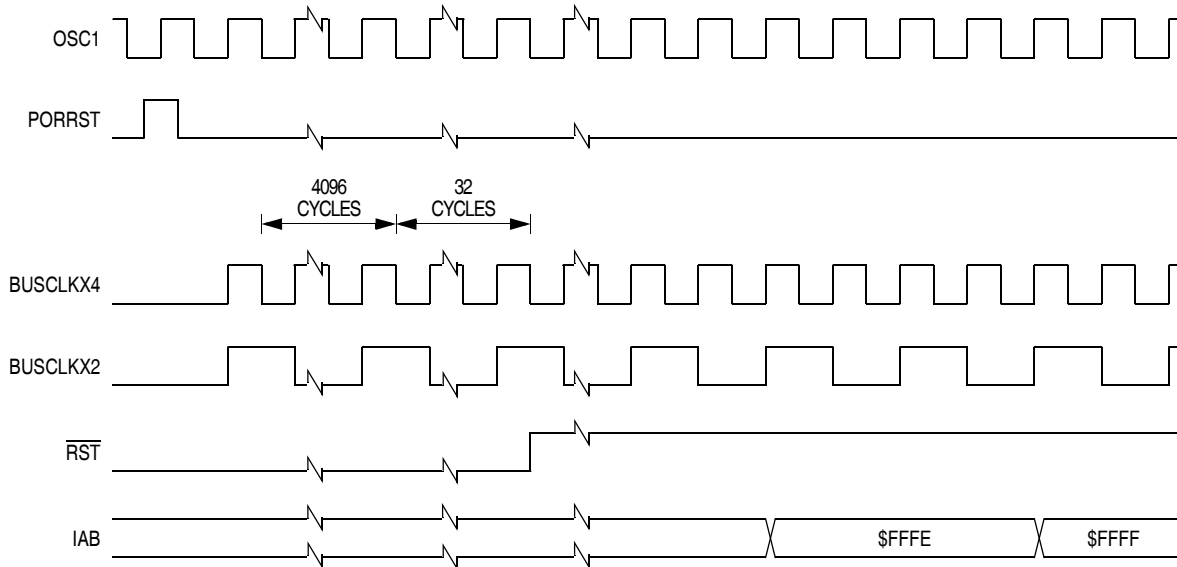


Figure 17-7. POR Recovery

17.3.2.2 Computer Operating Properly (COP) Reset

An input to the SIM is reserved for the COP reset signal. The overflow of the COP counter causes an internal reset and sets the COP bit in the SIM reset status register (SRSR). The SIM actively pulls down the $\overline{\text{RST}}$ pin for all internal reset sources.

The COP module is disabled if the $\overline{\text{IRQ}}$ pin is held at V_{TST} while the MCU is in monitor mode. The COP module can be disabled only through combinational logic conditioned with the high voltage signal on the $\overline{\text{IRQ}}$ pin. This prevents the COP from becoming disabled as a result of external noise.

17.3.2.3 Illegal Opcode Reset

The SIM decodes signals from the CPU to detect illegal instructions. An illegal instruction sets the ILOP bit in the SIM reset status register (SRSR) and causes a reset.

If the stop enable bit, STOP, in the mask option register is 0, the SIM treats the STOP instruction as an illegal opcode and causes an illegal opcode reset. The SIM actively pulls down the $\overline{\text{RST}}$ pin for all internal reset sources.

17.3.2.4 Illegal Address Reset

An opcode fetch from an unmapped address generates an illegal address reset. The SIM verifies that the CPU is fetching an opcode prior to asserting the ILAD bit in the SIM reset status register (SRSR) and resetting the MCU. A data fetch from an unmapped address does not generate a reset. The SIM actively pulls down the $\overline{\text{RST}}$ pin for all internal reset sources.

17.3.2.5 Low-Voltage Inhibit (LVI) Reset

The low-voltage inhibit module (LVI) asserts its output to the SIM when the V_{DD} voltage falls to the $\text{LVI}_{\text{TRIPF}}$ voltage. The LVI bit in the SIM reset status register (SRSR) is set, and the external reset pin ($\overline{\text{RST}}$) is held low while the SIM counter counts out 4096 + 32 BUSCLKX4 cycles. Thirty-two BUSCLKX4

cycles later, the CPU is released from reset to allow the reset vector sequence to occur. The SIM actively pulls down the \overline{RST} pin for all internal reset sources.

17.3.2.6 Monitor Mode Entry Module Reset (MODRST)

The monitor mode entry module reset (MODRST) asserts its output to the SIM when monitor mode is entered in the condition where the reset vectors are erased (\$FF). When MODRST gets asserted, an internal reset occurs. The SIM actively pulls down the \overline{RST} pin for all internal reset sources.

17.4 SIM Counter

The SIM counter is used by the power-on reset module (POR) and in stop mode recovery to allow the oscillator time to stabilize before enabling the internal bus (IBUS) clocks. The SIM counter is 13 bits long.

17.4.1 SIM Counter During Power-On Reset

The power-on reset module (POR) detects power applied to the MCU. At power-on, the POR circuit asserts the signal PORRST. Once the SIM is initialized, it enables the clock generation module (CGM) to drive the bus clock state machine.

17.4.2 SIM Counter During Stop Mode Recovery

The SIM counter also is used for stop mode recovery. The STOP instruction clears the SIM counter. After an interrupt, break, or reset, the SIM senses the state of the short stop recovery bit, SSREC, in the mask option register. If the SSREC bit is a 1, then the stop recovery is reduced from the normal delay of 4096 BUSCLKX4 cycles down to 32 BUSCLKX4 cycles. This is ideal for applications using canned oscillators that do not require long startup times from stop mode. External crystal applications should use the full stop recovery time, that is, with SSREC cleared.

17.4.3 SIM Counter and Reset States

External reset has no effect on the SIM counter. See [17.6.2 Stop Mode](#) for details. The SIM counter is free-running after all reset states. See [17.3.2 Active Resets from Internal Sources](#) for counter control and internal reset recovery sequences.

17.5 Exception Control

Normal, sequential program execution can be changed in three different ways:

- Interrupts:
 - Maskable hardware CPU interrupts
 - Non-maskable software interrupt instruction (SWI)
- Reset
- Break interrupts

17.5.1 Interrupts

At the beginning of an interrupt, the CPU saves the CPU register contents on the stack and sets the interrupt mask (I bit) to prevent additional interrupts. At the end of an interrupt, the RTI instruction recovers the CPU register contents from the stack so that normal processing can resume. [Figure 17-8](#) shows interrupt entry timing. [Figure 17-9](#) shows interrupt recovery timing.

System Integration Module (SIM)

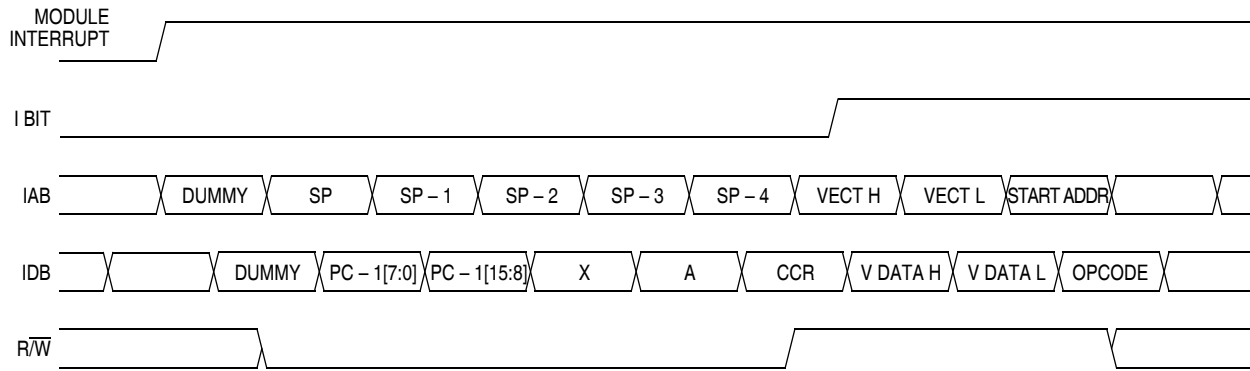


Figure 17-8. Interrupt Entry Timing

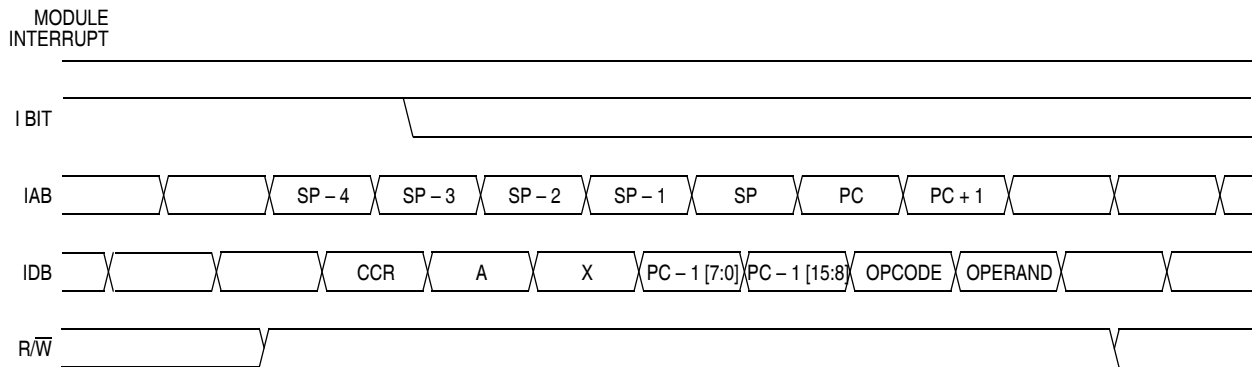


Figure 17-9. Interrupt Recovery Timing

Interrupts are latched, and arbitration is performed in the SIM at the start of interrupt processing. The arbitration result is a constant that the CPU uses to determine which vector to fetch. Once an interrupt is latched by the SIM, no other interrupt can take precedence, regardless of priority, until the latched interrupt is serviced (or the I bit is cleared). See [Figure 17-10](#).

17.5.1.1 Hardware Interrupts

A hardware interrupt does not stop the current instruction. Processing of a hardware interrupt begins after completion of the current instruction. When the current instruction is complete, the SIM checks all pending hardware interrupts. If interrupts are not masked (I bit clear in the condition code register) and if the corresponding interrupt enable bit is set, the SIM proceeds with interrupt processing; otherwise, the next instruction is fetched and executed.

If more than one interrupt is pending at the end of an instruction execution, the highest priority interrupt is serviced first. [Figure 17-11](#) demonstrates what happens when two interrupts are pending. If an interrupt is pending upon exit from the original interrupt service routine, the pending interrupt is serviced before the LDA instruction is executed.

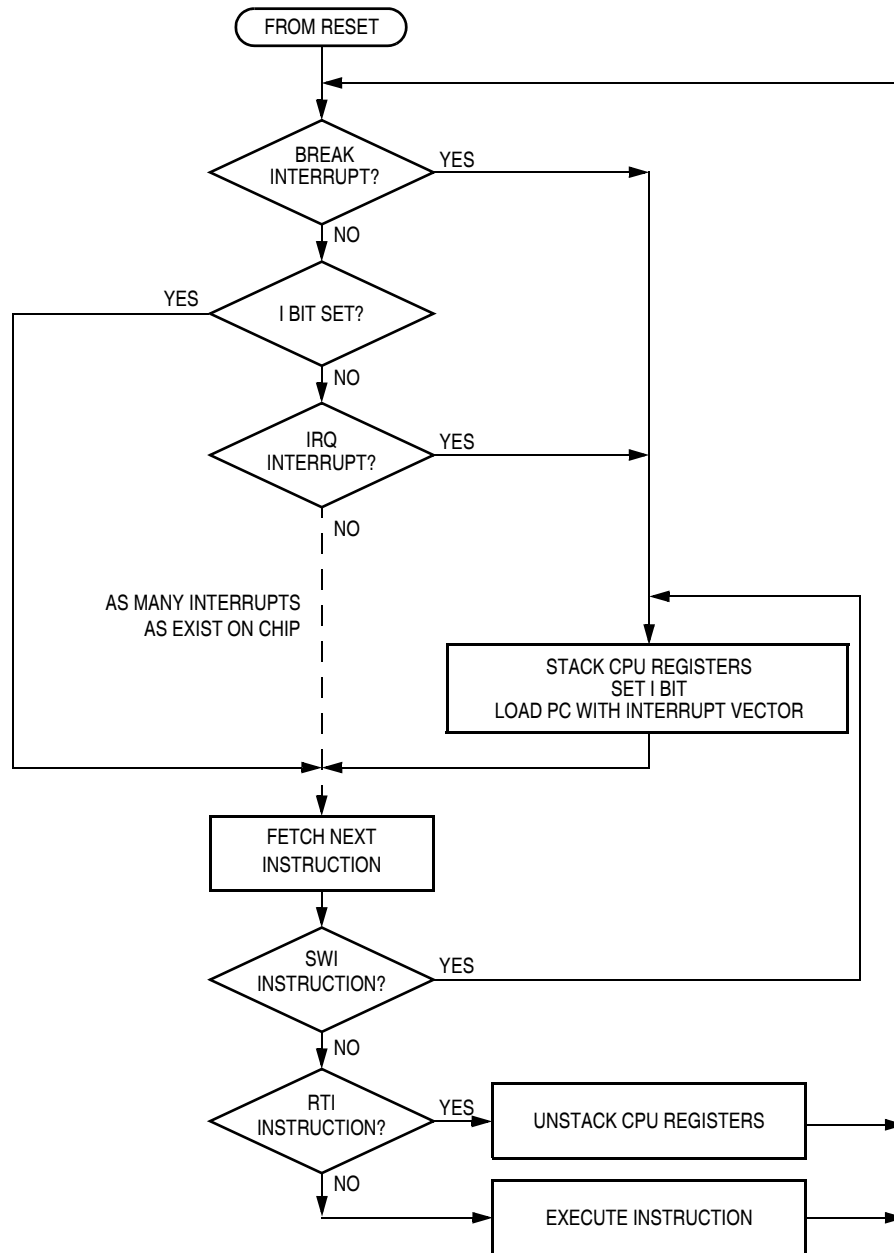


Figure 17-10. Interrupt Processing

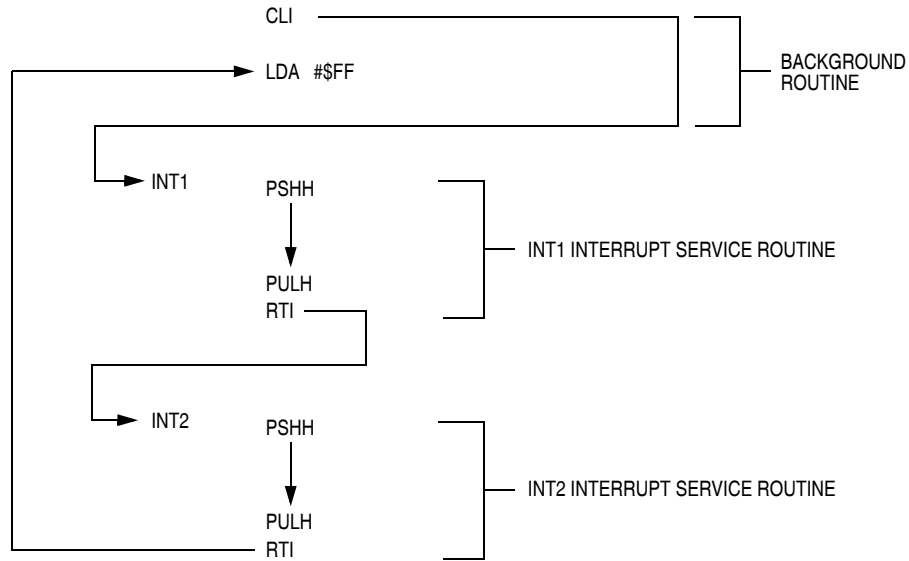


Figure 17-11. Interrupt Recognition Example

The LDA opcode is prefetched by both the INT1 and INT2 RTI instructions. However, in the case of the INT1 RTI prefetch, this is a redundant operation.

NOTE

To maintain compatibility with the M6805 Family, the H register is not pushed on the stack during interrupt entry. If the interrupt service routine modifies the H register or uses the indexed addressing mode, software should save the H register and then restore it prior to exiting the routine.

17.5.1.2 SWI Instruction

The SWI instruction is a non-maskable instruction that causes an interrupt regardless of the state of the interrupt mask (I bit) in the condition code register.

NOTE

A software interrupt pushes PC onto the stack. A software interrupt does not push PC – 1, as a hardware interrupt does.

17.5.2 Reset

All reset sources always have equal and highest priority and cannot be arbitrated.

17.5.3 Break Interrupts

The break module can stop normal program flow at a software-programmable break point by asserting its break interrupt output (see [19.2 Break Module \(BRK\)](#)). The SIM puts the CPU into the break state by forcing it to the SWI vector location. Refer to the break interrupt subsection of each module to see how each module is affected by the break state.

17.5.4 Status Flag Protection in Break Mode

The SIM controls whether status flags contained in other modules can be cleared during break mode. The user can select whether flags are protected from being cleared by properly initializing the break clear flag enable bit (BCFE) in the SIM break flag control register (SBFCR).

Protecting flags in break mode ensures that set flags will not be cleared while in break mode. This protection allows registers to be freely read and written during break mode without losing status flag information.

Setting the BCFE bit enables the clearing mechanisms. Once cleared in break mode, a flag remains cleared even when break mode is exited. Status flags with a 2-step clearing mechanism — for example, a read of one register followed by the read or write of another — are protected, even when the first step is accomplished prior to entering break mode. Upon leaving break mode, execution of the second step will clear the flag as normal.

17.6 Low-Power Modes

Executing the WAIT or STOP instruction puts the MCU in a low power-consumption mode for standby situations. The SIM holds the CPU in a non-clocked state. The operation of each of these modes is described in the following subsections. Both STOP and WAIT clear the interrupt mask (I) in the condition code register, allowing interrupts to occur.

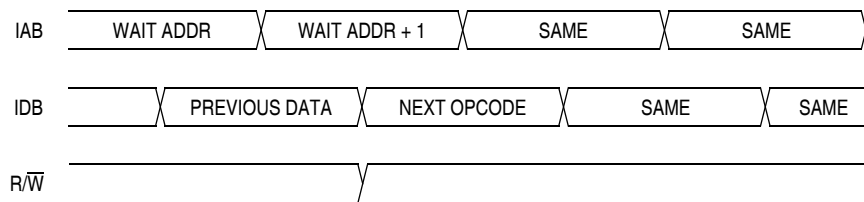
17.6.1 Wait Mode

In wait mode, the CPU clocks are inactive while the peripheral clocks continue to run. [Figure 17-12](#) shows the timing for wait mode entry.

A module that is active during wait mode can wakeup the CPU with an interrupt if the interrupt is enabled. Stacking for the interrupt begins one cycle after the WAIT instruction during which the interrupt occurred. In wait mode, the CPU clocks are inactive. Refer to the wait mode subsection of each module to see if the module is active or inactive in wait mode. Some modules can be programmed to be active in wait mode.

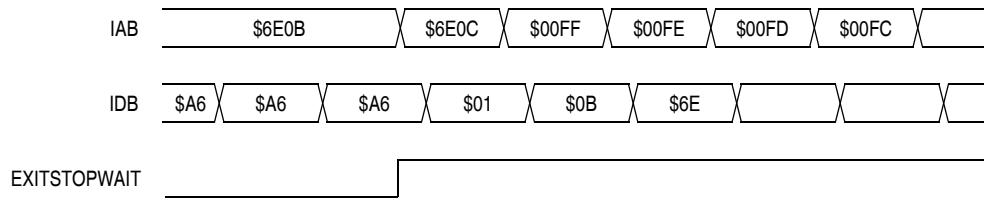
Wait mode also can be exited by a reset (or break in emulation mode). A break interrupt during wait mode sets the SIM break stop/wait bit, SBSW, in the SIM break status register (SBSR). If the COP disable bit, COPD, in the mask option register is 0, then the computer operating properly module (COP) is enabled and remains active in wait mode.

[Figure 17-13](#) and [Figure 17-14](#) show the timing for WAIT recovery.



Note: Previous data can be operand data or the WAIT opcode, depending on the last instruction.

Figure 17-12. Wait Mode Entry Timing



Note: EXITSTOPWAIT = $\overline{\text{RST}}$ pin or CPU interrupt

Figure 17-13. Wait Recovery from Interrupt

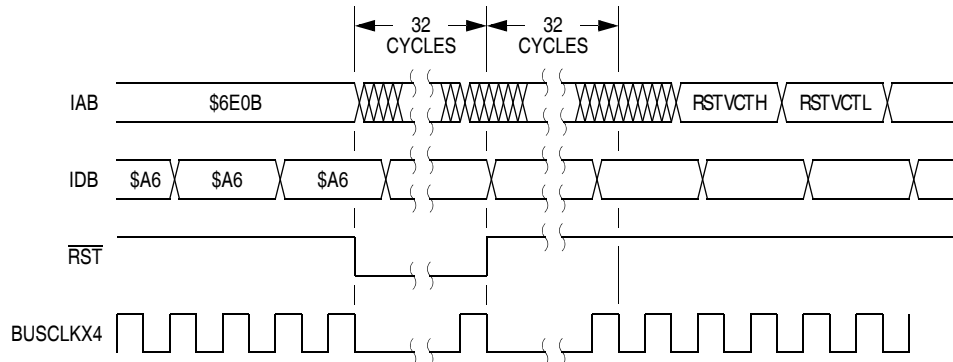


Figure 17-14. Wait Recovery from Internal Reset

17.6.2 Stop Mode

In stop mode, the SIM counter is reset and the system clocks are disabled. An interrupt request from a module can cause an exit from stop mode. Stacking for interrupts begins after the selected stop recovery time has elapsed. Reset also causes an exit from stop mode.

The SIM disables the clock generator module outputs (BUSCLKX2 and BUSCLKX4) in stop mode, stopping the CPU and peripherals. Stop recovery time is selectable using the SSREC bit in the mask option register (MOR). If SSREC is set, stop recovery is reduced from the normal delay of 4096 BUSCLKX4 cycles down to 32. This is ideal for applications using canned oscillators that do not require long startup times from stop mode.

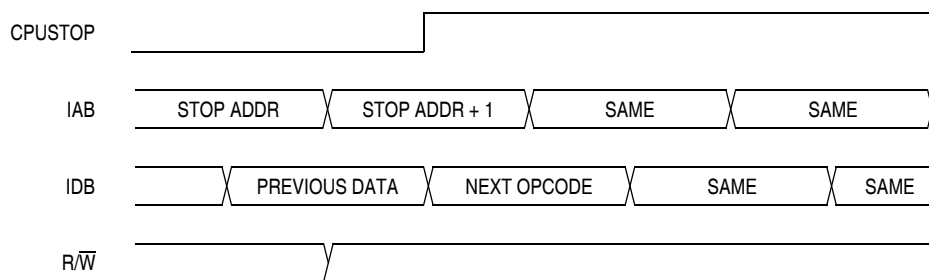
NOTE

External crystal applications should use the full stop recovery time by clearing the SSREC bit.

The SIM counter is held in reset from the execution of the STOP instruction until the beginning of stop recovery. It is then used to time the recovery period. [Figure 17-15](#) shows stop mode entry timing. [Figure 17-16](#) shows stop mode recovery time from interrupt or break.

NOTE

To minimize stop current, all pins configured as inputs should be driven to a logic 1 or logic 0.



Note: Previous data can be operand data or the STOP opcode, depending on the last instruction.

Figure 17-15. Stop Mode Entry Timing

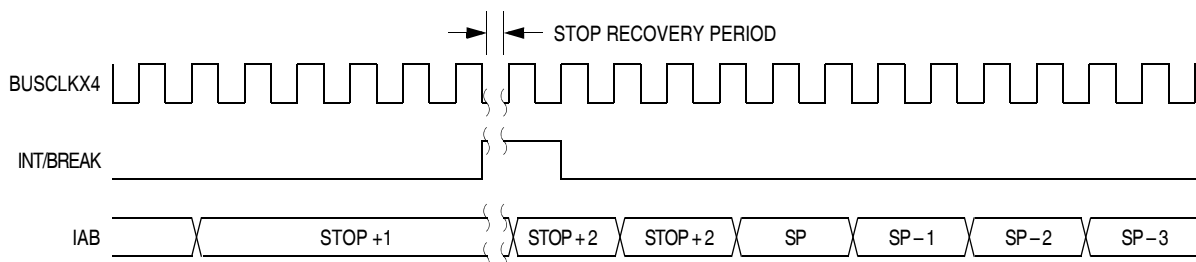


Figure 17-16. Stop Mode Recovery from Interrupt

17.7 SIM Registers

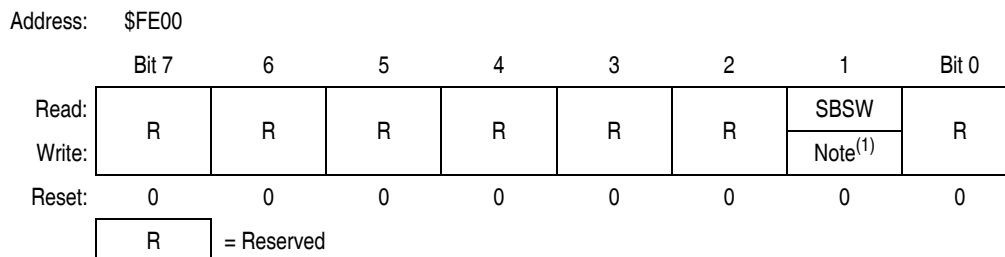
The SIM has three memory-mapped registers. [Table 17-3](#) shows the mapping of these registers.

Table 17-3. SIM Registers

Address	Register	Access Mode
\$FE00	BSR	User
\$FE01	SRSR	User
\$FE03	BFCR	User

17.7.1 Break Status Register

The break status register (BSR) contains a flag to indicate that a break caused an exit from wait mode. This register is only used in emulation mode.



1. Writing a 0 clears SBSW.

Figure 17-17. Break Status Register (BSR)

SBSW — SIM Break Stop/Wait

This status bit is useful in applications requiring a return to wait mode after exiting from a break interrupt. Clear SBSW by writing a 0 to it. Reset clears SBSW.

- 1 = Wait mode was exited by break interrupt.
- 0 = Wait mode was not exited by break interrupt.

SBSW can be read within the break state SWI routine. The user can modify the return address on the stack by subtracting one from it.

17.7.2 SIM Reset Status Register

This register contains six flags that show the source of the last reset provided all previous reset status bits have been cleared. Clear the SIM reset status register by reading it. A power-on reset sets the POR bit and clears all other bits in the register.

Address: \$FE01

	Bit 7	6	5	4	3	2	1	Bit 0
Read:	POR	PIN	COP	ILOP	ILAD	MODRST	LVI	0
Write:								
Reset:	1	0	0	0	0	0	0	0


 = Unimplemented

Figure 17-18. SIM Reset Status Register (SRSR)

POR — Power-On Reset Bit

- 1 = Last reset caused by POR circuit
- 0 = Read of SRSR

PIN — External Reset Bit

- 1 = Last reset caused by external reset pin (\overline{RST})
- 0 = POR or read of SRSR

COP — Computer Operating Properly Reset Bit

- 1 = Last reset caused by COP counter
- 0 = POR or read of SRSR

ILOP — Illegal Opcode Reset Bit

- 1 = Last reset caused by an illegal opcode
- 0 = POR or read of SRSR

ILAD — Illegal Address Reset Bit (opcode fetches only)

- 1 = Last reset caused by an opcode fetch from an illegal address
- 0 = POR or read of SRSR

MODRST — Monitor Mode Entry Module Reset Bit

- 1 = Last reset caused by monitor mode entry when vector locations \$FFFE and \$FFFF are \$FF after POR while $\overline{IRQ} = V_{DD}$
- 0 = POR or read of SRSR

LVI — Low-Voltage Inhibit Reset Bit

- 1 = Last reset caused by the LVI circuit
- 0 = POR or read of SRSR

17.7.3 Break Flag Control Register

The break control register contains a bit that enables software to clear status bits while the MCU is in a break state.

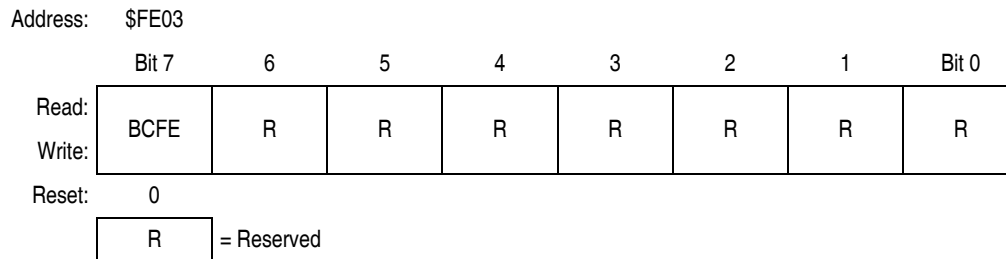


Figure 17-19. Break Flag Control Register (BFCR)

BCFE — Break Clear Flag Enable Bit

This read/write bit enables software to clear status bits by accessing status registers while the MCU is in a break state. To clear status bits during the break state, the BCFE bit must be set.

1 = Status bits clearable during break

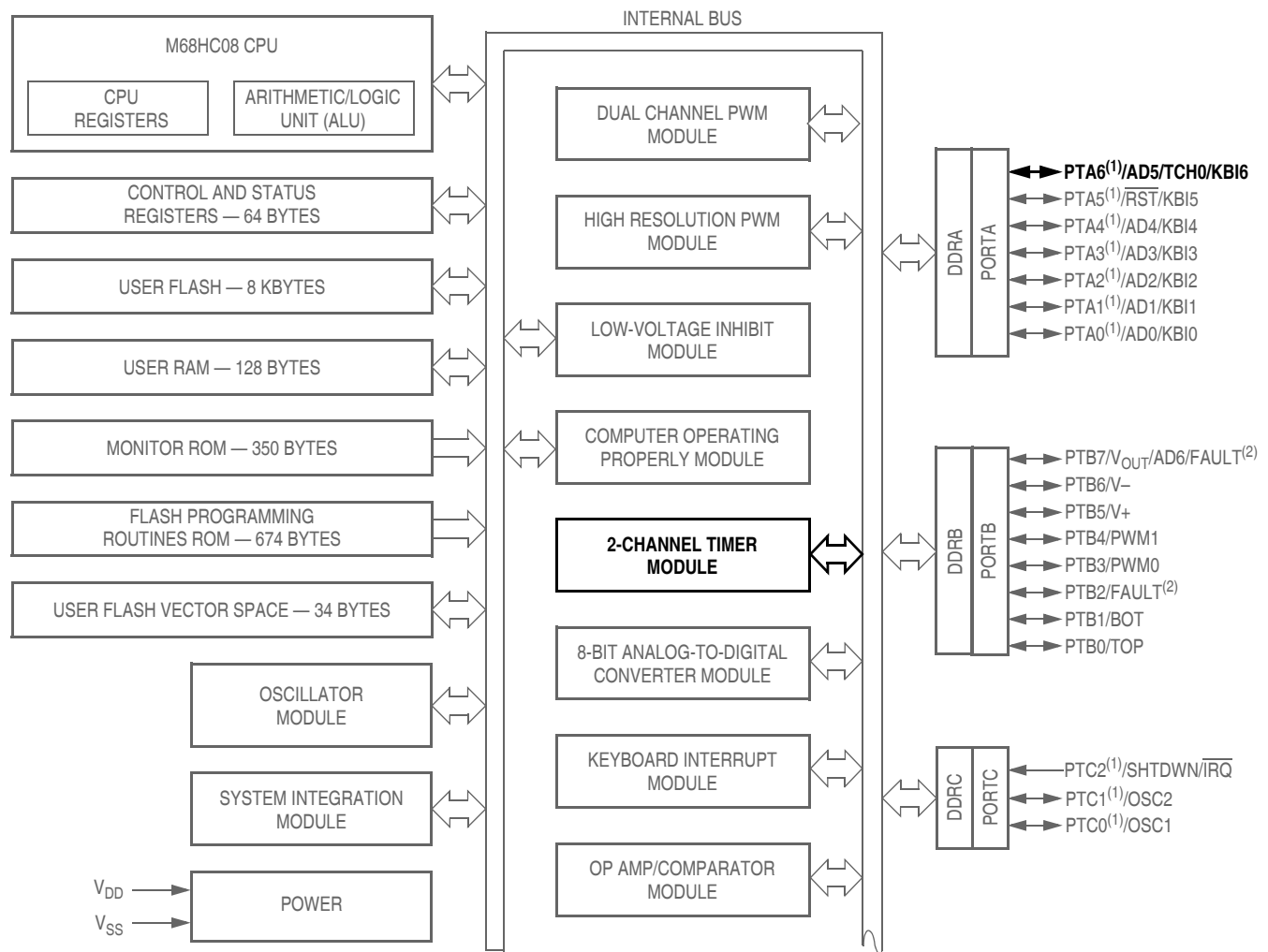
0 = Status bits not clearable during break

Chapter 18

Timer Interface Module (TIM)

18.1 Introduction

This section describes the timer interface (TIM) module. The TIM is a two-channel timer (only one of the channels is connected to an input/output pin) that provides a timing reference with input capture, output compare, and pulse-width-modulation (PWM) functions. Figure 18-2 is a block diagram of the TIM.



Notes:

1. Pin contains integrated pullup device.
2. Fault function switchable between pins PTB2 and PTB7.

Figure 18-1. Block Diagram Highlighting TIM Block and Pins

18.2 Features

Features of the TIM include:

- One input capture/output compare channels:
 - Rising-edge, falling-edge, or any-edge input capture trigger
 - Set, clear, or toggle output compare action
- Buffered and unbuffered pulse-width-modulation (PWM) signal generation
- Programmable TIM clock input with 7-frequency internal bus clock prescaler selection
- Free-running or modulo up-count operation
- Toggle any channel pin on overflow
- TIM counter stop and reset bits

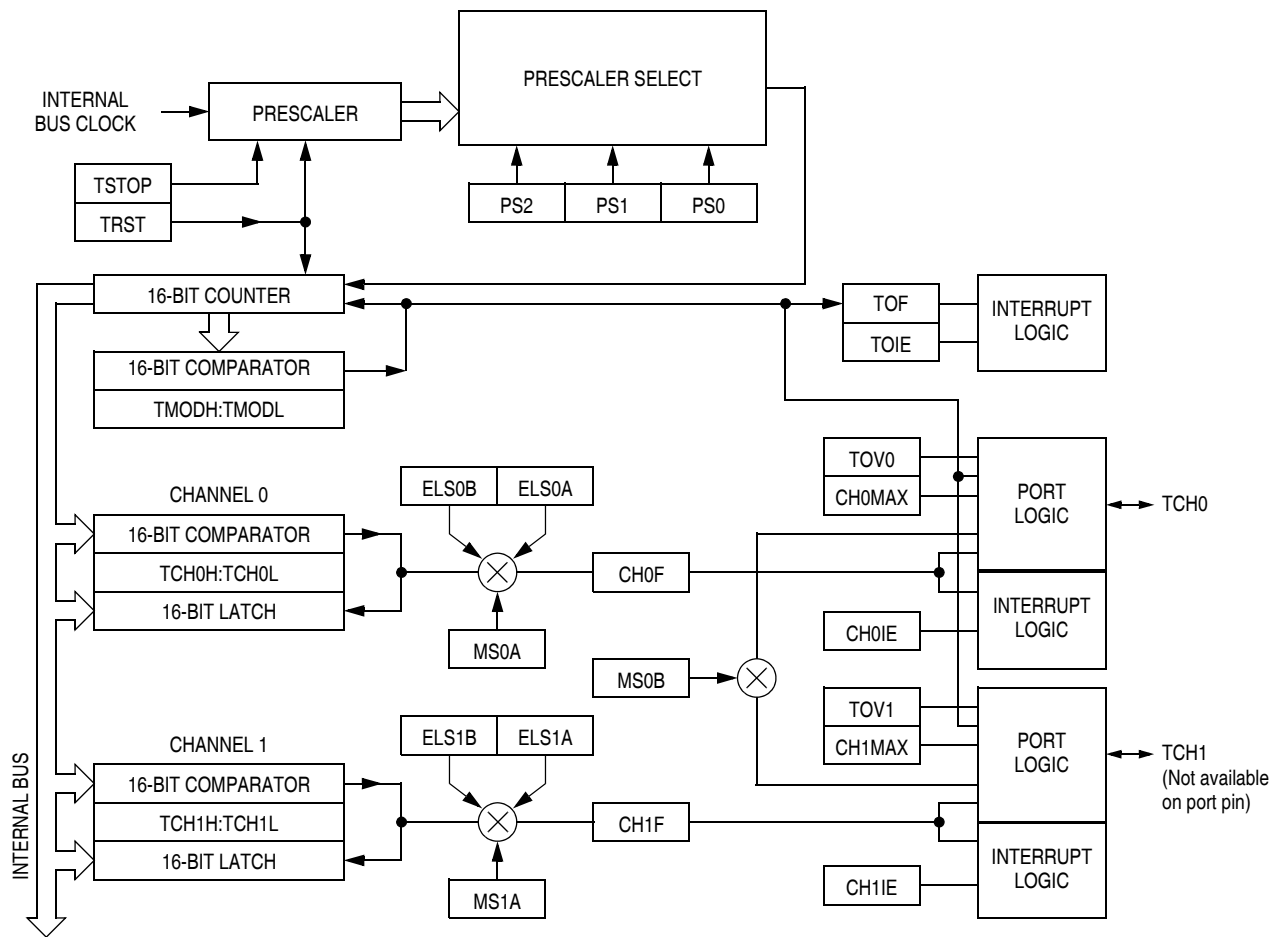


Figure 18-2. TIM Block Diagram

18.3 Functional Description

Figure 18-2 shows the structure of the TIM. The central component of the TIM is the 16-bit TIM counter that can operate as a free-running counter or a modulo up-counter. The TIM counter provides the timing reference for the input capture and output compare functions. The TIM counter modulo registers,

TMODH:TMODL, control the modulo value of the TIM counter. Software can read the TIM counter value at any time without affecting the counting sequence.

The two TIM channels are programmable independently as input capture or output compare channels. If a channel is configured as input capture, then an internal pullup device may be enabled for that channel. .

Figure 18-3 summarizes the timer registers.

Addr.	Register Name		Bit 7	6	5	4	3	2	1	Bit 0
\$0020	Timer Status and Control Register (T1SC) See page 195.	Read:	TOF	TOIE	TSTOP	0	0	PS2	PS1	PS0
		Write:	0			TRST				
		Reset:	0	0	1	0	0	0	0	0
\$0021	Timer Counter Register High (T1CNTH) See page 196.	Read:	Bit 15	14	13	12	11	10	9	Bit 8
		Write:								
		Reset:	0	0	0	0	0	0	0	0
\$0022	Timer Counter Register Low (T1CNTL) See page 196.	Read:	Bit 7	6	5	4	3	2	1	Bit 0
		Write:								
		Reset:	0	0	0	0	0	0	0	0
\$0023	Timer Counter Modulo Register High (T1MODH) See page 197.	Read:	Bit 15	14	13	12	11	10	9	Bit 8
		Write:								
		Reset:	1	1	1	1	1	1	1	1
\$0024	Timer Counter Modulo Register Low (T1MODL) See page 197.	Read:	Bit 7	6	5	4	3	2	1	Bit 0
		Write:								
		Reset:	1	1	1	1	1	1	1	1
\$0025	Timer Channel 0 Status and Control Register (T1SC0) See page 198.	Read:	CH0F	CH0IE	MS0B	MS0A	ELS0B	ELS0A	TOV0	CH0MAX
		Write:	0							
		Reset:	0	0	0	0	0	0	0	0
\$0026	Timer Channel 0 Register High (T1CH0H) See page 201.	Read:	Bit 15	14	13	12	11	10	9	Bit 8
		Write:								
		Reset:	Indeterminate after reset							
\$0027	Timer Channel 0 Register Low (T1CH0L) See page 201.	Read:	Bit 7	6	5	4	3	2	1	Bit 0
		Write:								
		Reset:	Indeterminate after reset							
\$0028	Timer Channel 1 Status and Control Register (T1SC1) See page 198.	Read:	CH1F	CH1IE	0	MS1A	ELS1B	ELS1A	TOV1	CH1MAX
		Write:	0							
		Reset:	0	0	0	0	0	0	0	0

= Unimplemented

Figure 18-3. TIM I/O Register Summary (Sheet 1 of 2)

Timer Interface Module (TIM)

Addr.	Register Name		Bit 7	6	5	4	3	2	1	Bit 0	
\$0029	Timer Channel 1 Register High (T1CH1H) See page 201.	Read:	Bit 15	14	13	12	11	10	9	Bit 8	
		Write:									
		Reset:	Indeterminate after reset								
\$002A	Timer Channel 1 Register Low (T1CH1L) See page 201.	Read:	Bit 7	6	5	4	3	2	1	Bit 0	
		Write:									
		Reset:	Indeterminate after reset								

= Unimplemented

Figure 18-3. TIM I/O Register Summary (Sheet 2 of 2)

18.3.1 TIM Counter Prescaler

The TIM clock source can be one of the seven prescaler outputs. The prescaler generates seven clock rates from the internal bus clock. The prescaler select bits, PS[2:0], in the TIM status and control register select the TIM clock source.

18.3.2 Input Capture

With the input capture function, the TIM can capture the time at which an external event occurs. When an active edge occurs on the pin of an input capture channel, the TIM latches the contents of the TIM counter into the TIM channel registers, TCHxH:TCHxL. The polarity of the active edge is programmable. Input captures can generate TIM CPU interrupt requests.

18.3.3 Output Compare

With the output compare function, the TIM can generate a periodic pulse with a programmable polarity, duration, and frequency. When the counter reaches the value in the registers of an output compare channel, the TIM can set, clear, or toggle the channel pin. Output compares can generate TIM CPU interrupt requests.

18.3.3.1 Unbuffered Output Compare

Any output compare channel can generate unbuffered output compare pulses as described in [18.3.3 Output Compare](#). The pulses are unbuffered because changing the output compare value requires writing the new value over the old value currently in the TIM channel registers.

An unsynchronized write to the TIM channel registers to change an output compare value could cause incorrect operation for up to two counter overflow periods. For example, writing a new value before the counter reaches the old value but after the counter reaches the new value prevents any compare during that counter overflow period. Also, using a TIM overflow interrupt routine to write a new, smaller output compare value may cause the compare to be missed. The TIM may pass the new value before it is written.

Use the following methods to synchronize unbuffered changes in the output compare value on channel x:

- When changing to a smaller value, enable channel x output compare interrupts and write the new value in the output compare interrupt routine. The output compare interrupt occurs at the end of the current output compare pulse. The interrupt routine has until the end of the counter overflow period to write the new value.

- When changing to a larger output compare value, enable TIM overflow interrupts and write the new value in the TIM overflow interrupt routine. The TIM overflow interrupt occurs at the end of the current counter overflow period. Writing a larger value in an output compare interrupt routine (at the end of the current pulse) could cause two output compares to occur in the same counter overflow period.

18.3.3.2 Buffered Output Compare

Channels 0 and 1 can be linked to form a buffered output compare channel whose output appears on the TCH0 pin. The TIM channel registers of the linked pair alternately control the output.

Setting the MS0B bit in TIM channel 0 status and control register (TSC0) links channel 0 and channel 1. The output compare value in the TIM channel 0 registers initially controls the output on the TCH0 pin. Writing to the TIM channel 1 registers enables the TIM channel 1 registers to synchronously control the output after the TIM overflows. At each subsequent overflow, the TIM channel registers (0 or 1) that control the output are the ones written to last. TSC0 controls and monitors the buffered output compare function, and TIM channel 1 status and control register (TSC1) is unused.

NOTE

In buffered output compare operation, do not write new output compare values to the currently active channel registers. User software should track the currently active channel to prevent writing a new value to the active channel. Writing to the active channel registers is the same as generating unbuffered output compares.

18.3.4 Pulse Width Modulation (PWM)

By using the toggle-on-overflow feature with an output compare channel, the TIM can generate a PWM signal. The value in the TIM counter modulo registers determines the period of the PWM signal. The channel pin toggles when the counter reaches the value in the TIM counter modulo registers. The time between overflows is the period of the PWM signal.

As [Figure 18-4](#) shows, the output compare value in the TIM channel registers determines the pulse width of the PWM signal. The time between overflow and output compare is the pulse width. Program the TIM to clear the channel pin on output compare if the state of the PWM pulse is logic 1. Program the TIM to set the pin if the state of the PWM pulse is logic 0.

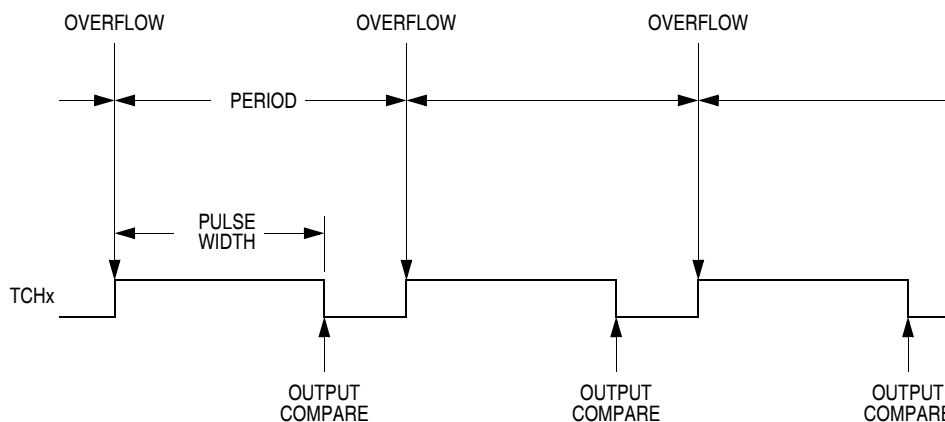


Figure 18-4. PWM Period and Pulse Width

The value in the TIM counter modulo registers and the selected prescaler output determines the frequency of the PWM output. The frequency of an 8-bit PWM signal is variable in 256 increments. Writing \$00FF (255) to the TIM counter modulo registers produces a PWM period of 256 times the internal bus clock period if the prescaler select value is \$000. See [18.8.1 TIM Status and Control Register](#).

The value in the TIM channel registers determines the pulse width of the PWM output. The pulse width of an 8-bit PWM signal is variable in 256 increments. Writing \$0080 (128) to the TIM channel registers produces a duty cycle of 128/256 or 50%.

18.3.4.1 Unbuffered PWM Signal Generation

Any output compare channel can generate unbuffered PWM pulses as described in [18.3.4 Pulse Width Modulation \(PWM\)](#). The pulses are unbuffered because changing the pulse width requires writing the new pulse width value over the old value currently in the TIM channel registers.

An unsynchronized write to the TIM channel registers to change a pulse width value could cause incorrect operation for up to two PWM periods. For example, writing a new value before the counter reaches the old value but after the counter reaches the new value prevents any compare during that PWM period. Also, using a TIM overflow interrupt routine to write a new, smaller pulse width value may cause the compare to be missed. The TIM may pass the new value before it is written.

Use the following methods to synchronize unbuffered changes in the PWM pulse width on channel x:

- When changing to a shorter pulse width, enable channel x output compare interrupts and write the new value in the output compare interrupt routine. The output compare interrupt occurs at the end of the current pulse. The interrupt routine has until the end of the PWM period to write the new value.
- When changing to a longer pulse width, enable TIM overflow interrupts and write the new value in the TIM overflow interrupt routine. The TIM overflow interrupt occurs at the end of the current PWM period. Writing a larger value in an output compare interrupt routine (at the end of the current pulse) could cause two output compares to occur in the same PWM period.

NOTE

In PWM signal generation, do not program the PWM channel to toggle on output compare. Toggling on output compare prevents reliable 0% duty cycle generation and removes the ability of the channel to self-correct in the event of software error or noise. Toggling on output compare also can cause incorrect PWM signal generation when changing the PWM pulse width to a new, much larger value.

18.3.4.2 Buffered PWM Signal Generation

Channels 0 and 1 can be linked to form a buffered PWM channel whose output appears on the TCH0 pin. The TIM channel registers of the linked pair alternately control the pulse width of the output.

Setting the MS0B bit in TIM channel 0 status and control register (TSC0) links channel 0 and channel 1. The TIM channel 0 registers initially control the pulse width on the TCH0 pin. Writing to the TIM channel 1 registers enables the TIM channel 1 registers to synchronously control the pulse width at the beginning of the next PWM period. At each subsequent overflow, the TIM channel registers (0 or 1) that control the pulse width are the ones written to last. TSC0 controls and monitors the buffered PWM function, and TIM channel 1 status and control register (TSC1) is unused.

NOTE

In buffered PWM signal generation, do not write new pulse width values to the currently active channel registers. User software should track the currently active channel to prevent writing a new value to the active channel. Writing to the active channel registers is the same as generating unbuffered PWM signals.

18.3.4.3 PWM Initialization

To ensure correct operation when generating unbuffered or buffered PWM signals, use the following initialization procedure:

1. In the TIM status and control register (TSC):
 - a. Stop the TIM counter by setting the TIM stop bit, TSTOP.
 - b. Reset the TIM counter and prescaler by setting the TIM reset bit, TRST.
2. In the TIM counter modulo registers (TMODH:TMODL), write the value for the required PWM period.
3. In the TIM channel x registers (TCHxH:TCHxL), write the value for the required pulse width.
4. In TIM channel x status and control register (TSCx):
 - a. Write 0:1 (for unbuffered output compare or PWM signals) or 1:0 (for buffered output compare or PWM signals) to the mode select bits, MSxB:MSxA. See [Table 18-2](#).
 - b. Write 1 to the toggle-on-overflow bit, TOVx.
 - c. Write 1:0 (to clear output on compare) or 1:1 (to set output on compare) to the edge/level select bits, ELSxB:ELSxA. The output action on compare must force the output to the complement of the pulse width level. See [Table 18-2](#).

NOTE

In PWM signal generation, do not program the PWM channel to toggle on output compare. Toggling on output compare prevents reliable 0% duty cycle generation and removes the ability of the channel to self-correct in the event of software error or noise. Toggling on output compare can also cause incorrect PWM signal generation when changing the PWM pulse width to a new, much larger value.

5. In the TIM status control register (TSC), clear the TIM stop bit, TSTOP.

Setting MS0B links channels 0 and 1 and configures them for buffered PWM operation. The TIM channel 0 registers (TCH0H:TCH0L) initially control the buffered PWM output. TIM status control register 0 (TSC0) controls and monitors the PWM signal from the linked channels.

Clearing the toggle-on-overflow bit, TOVx, inhibits output toggles on TIM overflows. Subsequent output compares try to force the output to a state it is already in and have no effect. The result is a 0% duty cycle output.

Setting the channel x maximum duty cycle bit (CHxMAX) and setting the TOVx bit generates a 100% duty cycle output. See [18.8.4 TIM Channel Status and Control Registers](#).

18.4 Interrupts

The following TIM sources can generate interrupt requests:

Timer Interface Module (TIM)

- TIM overflow flag (TOF) — The TOF bit is set when the TIM counter reaches the modulo value programmed in the TIM counter modulo registers. The TIM overflow interrupt enable bit, TOIE, enables TIM overflow CPU interrupt requests. TOF and TOIE are in the TIM status and control register.
- TIM channel flags (CH1F:CH0F) — The CHxF bit is set when an input capture or output compare occurs on channel x. Channel x TIM CPU interrupt requests are controlled by the channel x interrupt enable bit, CHxIE. Channel x TIM CPU interrupt requests are enabled when CHxIE = 1. CHxF and CHxIE are in the TIM channel x status and control register.

18.5 Low-Power Modes

The WAIT and STOP instructions put the MCU in low power-consumption standby modes.

18.5.1 Wait Mode

The TIM remains active after the execution of a WAIT instruction. In wait mode, the TIM registers are not accessible by the CPU. Any enabled CPU interrupt request from the TIM can bring the MCU out of wait mode.

If TIM functions are not required during wait mode, reduce power consumption by stopping the TIM before executing the WAIT instruction.

18.5.2 Stop Mode

The TIM is inactive after the execution of a STOP instruction. The STOP instruction does not affect register conditions or the state of the TIM counter. TIM operation resumes when the MCU exits stop mode after an external interrupt.

18.6 TIM During Break Interrupts

A break interrupt stops the TIM counter.

The system integration module (SIM) controls whether status bits in other modules can be cleared during the break state. The BCFE bit in the SIM break flag control register (SBFCR) enables software to clear status bits during the break state. See [17.7.3 Break Flag Control Register](#).

To allow software to clear status bits during a break interrupt, write a 1 to the BCFE bit. If a status bit is cleared during the break state, it remains cleared when the MCU exits the break state.

To protect status bits during the break state, write a 0 to the BCFE bit. With BCFE at 0 (its default state), software can read and write I/O registers during the break state without affecting status bits. Some status bits have a 2-step read/write clearing procedure. If software does the first step on such a bit before the break, the bit cannot change during the break state as long as BCFE is at 0. After the break, doing the second step clears the status bit.

18.7 I/O Signals

Port B shares its pins with the TIM. Only TCH0 is available on a port pin. It is programmable independently as an input capture pin or an output compare pin. TCH0 can be configured as buffered output compare or buffered PWM pins.

18.8 I/O Registers

These I/O registers control and monitor operation of the TIM:

- TIM status and control register (TSC)
- TIM counter registers (TCNTH:TCNTL)
- TIM counter modulo registers (TMODH:TMODL)
- TIM channel status and control registers (TSC0 and TSC1)
- TIM channel registers (TCH0H:TCH0L, TCH1H:TCH1L)

18.8.1 TIM Status and Control Register

The TIM status and control register (TSC):

- Enables TIM overflow interrupts
- Flags TIM overflows
- Stops the TIM counter
- Resets the TIM counter
- Prescales the TIM counter clock

Address: \$0020

	Bit 7	6	5	4	3	2	1	Bit 0
Read:	TOF	TOIE	TSTOP	0	0	PS2	PS1	PS0
Write:	0			TRST				
Reset:	0	0	1	0	0	0	0	0


 = Unimplemented

Figure 18-5. TIM Status and Control Register (TSC)

TOF — TIM Overflow Flag Bit

This read/write flag is set when the TIM counter reaches the modulo value programmed in the TIM counter modulo registers. Clear TOF by reading the TIM status and control register when TOF is set and then writing a 0 to TOF. If another TIM overflow occurs before the clearing sequence is complete, then writing 0 to TOF has no effect. Therefore, a TOF interrupt request cannot be lost due to inadvertent clearing of TOF. Reset clears the TOF bit. Writing a 1 to TOF has no effect.

1 = TIM counter has reached modulo value

0 = TIM counter has not reached modulo value

TOIE — TIM Overflow Interrupt Enable Bit

This read/write bit enables TIM overflow interrupts when the TOF bit becomes set. Reset clears the TOIE bit.

1 = TIM overflow interrupts enabled

0 = TIM overflow interrupts disabled

TSTOP — TIM Stop Bit

This read/write bit stops the TIM counter. Counting resumes when TSTOP is cleared. Reset sets the TSTOP bit, stopping the TIM counter until software clears the TSTOP bit.

1 = TIM counter stopped

0 = TIM counter active

NOTE

Do not set the TSTOP bit before entering wait mode if the TIM is required to exit wait mode.

TRST — TIM Reset Bit

Setting this write-only bit resets the TIM counter and the TIM prescaler. Setting TRST has no effect on any other registers. Counting resumes from \$0000. TRST is cleared automatically after the TIM counter is reset and always reads as 0. Reset clears the TRST bit.

- 1 = Prescaler and TIM counter cleared
- 0 = No effect

NOTE

Setting the TSTOP and TRST bits simultaneously stops the TIM counter at a value of \$0000.

PS[2:0] — Prescaler Select Bits

These read/write bits select one of the seven prescaler outputs as the input to the TIM counter as Table 18-1 shows. Reset clears the PS[2:0] bits.

Table 18-1. Prescaler Selection

PS2	PS1	PS0	TIM Clock Source
0	0	0	Internal bus clock ÷ 1
0	0	1	Internal bus clock ÷ 2
0	1	0	Internal bus clock ÷ 4
0	1	1	Internal bus clock ÷ 8
1	0	0	Internal bus clock ÷ 16
1	0	1	Internal bus clock ÷ 32
1	1	0	Internal bus clock ÷ 64
1	1	1	Not available

18.8.2 TIM Counter Registers

The two read-only TIM counter registers contain the high and low bytes of the value in the TIM counter. Reading the high byte (TCNTH) latches the contents of the low byte (TCNTL) into a buffer. Subsequent reads of TCNTH do not affect the latched TCNTL value until TCNTL is read. Reset clears the TIM counter registers. Setting the TIM reset bit (TRST) also clears the TIM counter registers.

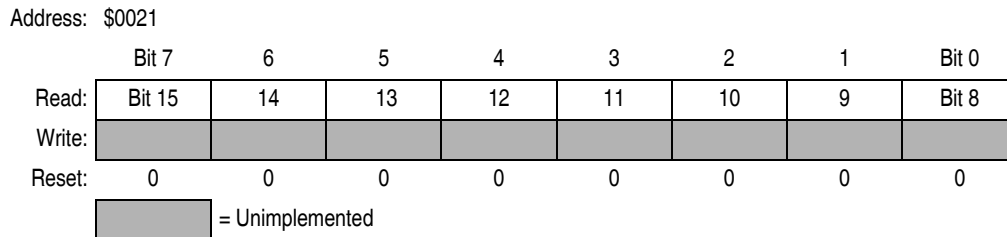


Figure 18-6. TIM Counter Registers High (TCNTH)

Address: \$0022

Figure 18-7. TIM Counter Registers Low (TCNTL)

	Bit 7	6	5	4	3	2	1	Bit 0
Read:	Bit 7	6	5	4	3	2	1	Bit 0
Write:								
Reset:	0	0	0	0	0	0	0	0


 = Unimplemented

Figure 18-7. TIM Counter Registers Low (TCNTL)

NOTE

If you read TCNTH during a break interrupt, be sure to unlatch TCNTL by reading TCNTL before exiting the break interrupt. Otherwise, TCNTL retains the value latched during the break.

18.8.3 TIM Counter Modulo Registers

The read/write TIM modulo registers contain the modulo value for the TIM counter. When the TIM counter reaches the modulo value, the overflow flag (TOF) becomes set, and the TIM counter resumes counting from \$0000 at the next timer clock. Writing to the high byte (TMODH) inhibits the TOF bit and overflow interrupts until the low byte (TMODL) is written. Reset sets the TIM counter modulo registers.

Address: \$0023

	Bit 7	6	5	4	3	2	1	Bit 0
Read:	Bit 15	14	13	12	11	10	9	Bit 8
Write:								
Reset:	1	1	1	1	1	1	1	1

Figure 18-8. TIM Counter Modulo Register High (TMODH)

Address: \$0024

	Bit 7	6	5	4	3	2	1	Bit 0
Read:	Bit 7	6	5	4	3	2	1	Bit 0
Write:								
Reset:	1	1	1	1	1	1	1	1

Figure 18-9. TIM Counter Modulo Register Low (TMODL)

NOTE

Reset the TIM counter before writing to the TIM counter modulo registers.

18.8.4 TIM Channel Status and Control Registers

Each of the TIM channel status and control registers:

- Flags input captures and output compares
- Enables input capture and output compare interrupts
- Selects input capture, output compare, or PWM operation
- Selects high, low, or toggling output on output compare
- Selects rising edge, falling edge, or any edge as the active input capture trigger

Timer Interface Module (TIM)

- Selects output toggling on TIM overflow
- Selects 0% and 100% PWM duty cycle
- Selects buffered or unbuffered output compare/PWM operation

Address: \$0025

	Bit 7	6	5	4	3	2	1	Bit 0
Read:	CH0F	CH0IE	MS0B	MS0A	ELS0B	ELS0A	TOV0	CH0MAX
Write:	0							
Reset:	0	0	0	0	0	0	0	0

Figure 18-10. TIM Channel 0 Status and Control Register (TSC0)

Address: \$0028

	Bit 7	6	5	4	3	2	1	Bit 0
Read:	CH1F	CH1IE	0	MS1A	ELS1B	ELS1A	TOV1	CH1MAX
Write:	0							
Reset:	0	0	0	0	0	0	0	0

Figure 18-11. TIM Channel 1 Status and Control Register (TSC1)

CHxF — Channel x Flag Bit

When channel x is an input capture channel, this read/write bit is set when an active edge occurs on the channel x pin. When channel x is an output compare channel, CHxF is set when the value in the TIM counter registers matches the value in the TIM channel x registers.

When TIM CPU interrupt requests are enabled (CHxIE = 1), clear CHxF by reading TIM channel x status and control register with CHxF set and then writing a 0 to CHxF. If another interrupt request occurs before the clearing sequence is complete, then writing 0 to CHxF has no effect. Therefore, an interrupt request cannot be lost due to inadvertent clearing of CHxF.

Reset clears the CHxF bit. Writing a 1 to CHxF has no effect.

- 1 = Input capture or output compare on channel x
- 0 = No input capture or output compare on channel x

CHxIE — Channel x Interrupt Enable Bit

This read/write bit enables TIM CPU interrupt service requests on channel x.

Reset clears the CHxIE bit.

1 = Channel x CPU interrupt requests enabled

0 = Channel x CPU interrupt requests disabled

MSxB — Mode Select Bit B

This read/write bit selects buffered output compare/PWM operation. MSxB exists only in the TIM1 channel 0 and TIM2 channel 0 status and control registers.

Setting MS0B disables the channel 1 status and control register and reverts TCH1 to general-purpose I/O.

Reset clears the MSxB bit.

1 = Buffered output compare/PWM operation enabled

0 = Buffered output compare/PWM operation disabled

MSxA — Mode Select Bit A

When ELSxB:A ≠ 00, this read/write bit selects either input capture operation or unbuffered output compare/PWM operation. See [Table 18-2](#).

1 = Unbuffered output compare/PWM operation

0 = Input capture operation

When ELSxB:A = 00, this read/write bit selects the initial output level of the TCHx pin. See [Table 18-2](#).

Reset clears the MSxA bit.

1 = Initial output level low

0 = Initial output level high

NOTE

Before changing a channel function by writing to the MSxB or MSxA bit, set the TSTOP and TRST bits in the TIM status and control register (TSC).

ELSxB and ELSxA — Edge/Level Select Bits

When channel x is an input capture channel, these read/write bits control the active edge-sensing logic on channel x.

When channel x is an output compare channel, ELSxB and ELSxA control the channel x output behavior when an output compare occurs.

When ELSxB and ELSxA are both clear, channel x is not connected to port D, and pin PTDx/TCHx is available as a general-purpose I/O pin. [Table 18-2](#) shows how ELSxB and ELSxA work. Reset clears the ELSxB and ELSxA bits.

NOTE

Before enabling a TIM channel register for input capture operation, make sure that the PTD/TCHx pin is stable for at least two bus clocks.

Table 18-2. Mode, Edge, and Level Selection

MSxB:MSxA	ELSxB:ELSxA	Mode	Configuration
X0	00	Output preset	Pin under port control; initial output level high
X1	00		Pin under port control; initial output level low
00	01	Input capture	Capture on rising edge only
00	10		Capture on falling edge only
00	11		Capture on rising or falling edge
01	01	Output compare or PWM	Toggle output on compare
01	10		Clear output on compare
01	11		Set output on compare
1X	01	Buffered output compare or buffered PWM	Toggle output on compare
1X	10		Clear output on compare
1X	11		Set output on compare

TOVx — Toggle On Overflow Bit

When channel x is an output compare channel, this read/write bit controls the behavior of the channel x output when the TIM counter overflows. When channel x is an input capture channel, TOVx has no effect.

Reset clears the TOVx bit.

- 1 = Channel x pin toggles on TIM counter overflow.
- 0 = Channel x pin does not toggle on TIM counter overflow.

NOTE

When TOVx is set, a TIM counter overflow takes precedence over a channel x output compare if both occur at the same time.

CHxMAX — Channel x Maximum Duty Cycle Bit

When the TOVx bit is at 1, setting the CHxMAX bit forces the duty cycle of buffered and unbuffered PWM signals to 100%. As Figure 18-12 shows, the CHxMAX bit takes effect in the cycle after it is set or cleared. The output stays at the 100% duty cycle level until the cycle after CHxMAX is cleared.

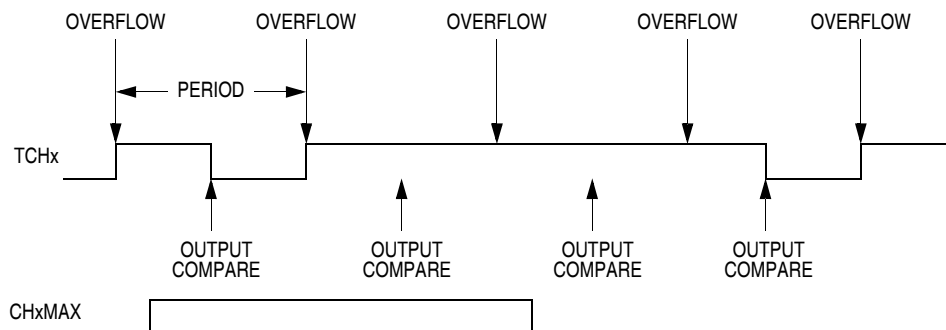


Figure 18-12. CHxMAX Latency

18.8.5 TIM Channel Registers

These read/write registers contain the captured TIM counter value of the input capture function or the output compare value of the output compare function. The state of the TIM channel registers after reset is unknown.

In input capture mode ($MSxB:MSxA = 0:0$), reading the high byte of the TIM channel x registers (TCHxH) inhibits input captures until the low byte (TCHxL) is read.

In output compare mode ($MSxB:MSxA \neq 0:0$), writing to the high byte of the TIM channel x registers (TCHxH) inhibits output compares until the low byte (TCHxL) is written.

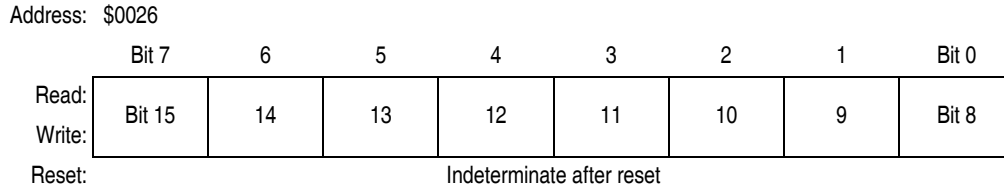


Figure 18-13. TIM Channel 0 Register High (TCH0H)

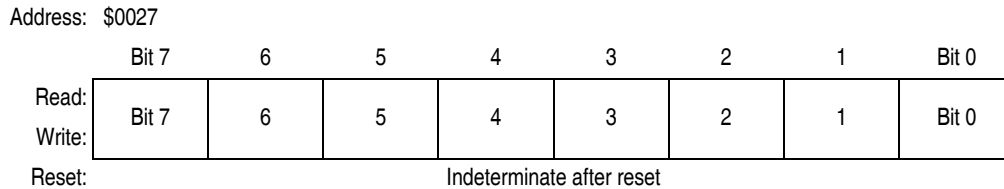


Figure 18-14. TIM Channel 0 Register Low (TCH0L)

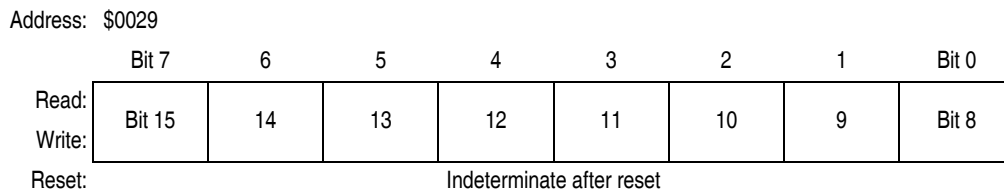


Figure 18-15. TIM Channel 1 Register High (TCH1H)



Figure 18-16. TIM Channel 1 Register Low (TCH1L)

Chapter 19

Development Support

19.1 Introduction

This section describes the break module, the monitor read-only memory (MON), and the monitor mode entry methods.

19.2 Break Module (BRK)

The break module can generate a break interrupt that stops normal program flow at a defined address to enter a background program.

Features of the break module include:

- Accessible input/output (I/O) registers during the break Interrupt
- Central processor unit (CPU) generated break interrupts
- Software-generated break interrupts
- Computer operating properly (COP) disabling during break interrupts

19.2.1 Functional Description

When the internal address bus matches the value written in the break address registers, the break module issues a breakpoint signal ($\overline{\text{BKPT}}$) to the system integration module (SIM). The SIM then causes the CPU to load the instruction register with a software interrupt instruction (SWI) after completion of the current CPU instruction. The program counter vectors to \$FFFC and \$FFFD (\$FEFC and \$FEFD in monitor mode).

The following events can cause a break interrupt to occur:

- A CPU generated address (the address in the program counter) matches the contents of the break address registers.
- Software writes a 1 to the BRKA bit in the break status and control register.

When a CPU generated address matches the contents of the break address registers, the break interrupt begins after the CPU completes its current instruction. A return-from-interrupt instruction (RTI) in the break routine ends the break interrupt and returns the microcontroller unit (MCU) to normal operation.

Figure 19-1 shows the structure of the break module.

Figure 19-2 provides a summary of the I/O registers.

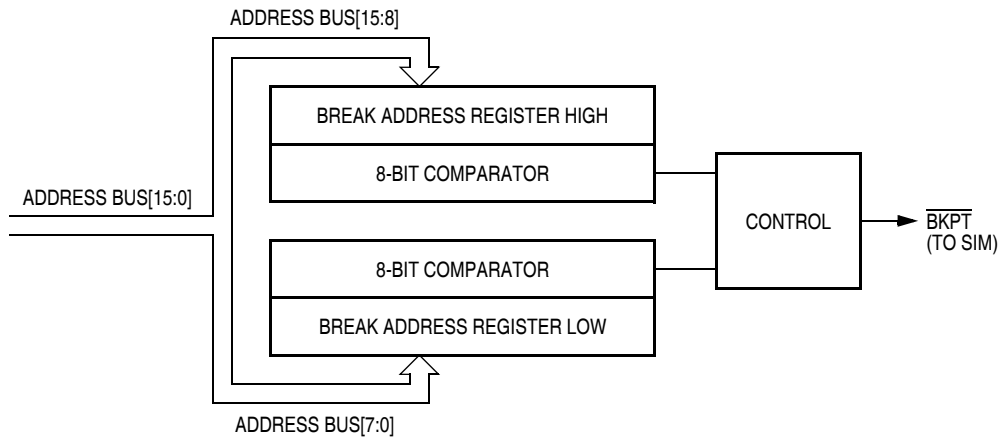


Figure 19-1. Break Module Block Diagram

Addr.	Register Name	Bit 7	6	5	4	3	2	1	Bit 0	
\$FE00	Break Status Register (BSR) See page 207.	Read:	R	R	R	R	R	SBSW	R	
		Write:						Note ⁽¹⁾		
		Reset:	0							
\$FE02	Break Auxiliary Register (BRKAR) See page 206.	Read:	Bit 7	Bit 6	Bit 5	Bit 4	Bit 3	Bit 2	Bit 1	Bit 0
		Write:								
		Reset:	0	0	0	0	0	0	0	0
\$FE03	Break Flag Control Register (BFCR) See page 207.	Read:	BCFE	R	R	R	R	R	R	
		Write:								
		Reset:	0							
\$FE09	Break Address High Register (BRKH) See page 206.	Read:	Bit15	Bit14	Bit13	Bit12	Bit11	Bit10	Bit9	Bit8
		Write:								
		Reset:	0	0	0	0	0	0	0	0
\$FE0A	Break Address Low Register (BRKL) See page 206.	Read:	Bit 7	Bit 6	Bit 5	Bit 4	Bit 3	Bit 2	Bit 1	Bit 0
		Write:								
		Reset:	0	0	0	0	0	0	0	0
\$FE0B	Break Status and Control Register (BRKSCR) See page 205.	Read:	BRKE	BRKA	0	0	0	0	0	0
		Write:								
		Reset:	0	0	0	0	0	0	0	0

1. Writing a 0 clears SBSW. = Unimplemented = Reserved

Figure 19-2. Break I/O Register Summary

19.2.1.1 Flag Protection During Break Interrupts

The system integration module (SIM) controls whether or not module status bits can be cleared during the break state. The BCFE bit in the break flag control register (BFCR) enables software to clear status bits during the break state. See [17.7.3 Break Flag Control Register](#) and the **Break Interrupts** subsection for each module.

19.2.1.2 CPU During Break Interrupts

The CPU starts a break interrupt by:

- Loading the instruction register with the SWI instruction
- Loading the program counter with \$FFFC:\$FFFD (\$FEFC:\$FEFD in monitor mode)

The break interrupt begins after completion of the CPU instruction in progress. If the break address register match occurs on the last cycle of a CPU instruction, the break interrupt begins immediately.

19.2.1.3 TIM During Break Interrupts

A break interrupt stops the timer counter.

19.2.1.4 COP During Break Interrupts

The COP is disabled during a break interrupt with monitor mode when BDCOP bit is set in break auxiliary register (BRKAR).

19.2.2 Break Module Registers

These registers control and monitor operation of the break module:

- Break status and control register (BRKSCR)
- Break address register high (BRKH)
- Break address register low (BRKL)
- Break status register (BSR)
- Break flag control register (BFCR)

19.2.2.1 Break Status and Control Register

The break status and control register (BRKSCR) contains break module enable and status bits.

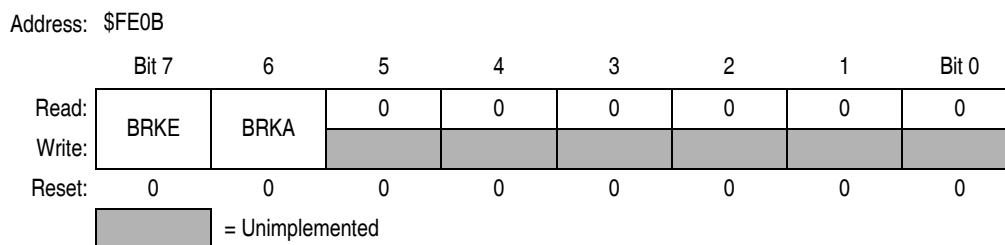


Figure 19-3. Break Status and Control Register (BRKSCR)

BRKE — Break Enable Bit

This read/write bit enables breaks on break address register matches. Clear BRKE by writing a 0 to bit 7. Reset clears the BRKE bit.

- 1 = Breaks enabled on 16-bit address match
- 0 = Breaks disabled

BRKA — Break Active Bit

This read/write status and control bit is set when a break address match occurs. Writing a 1 to BRKA generates a break interrupt. Clear BRKA by writing a 0 to it before exiting the break routine. Reset clears the BRKA bit.

- 1 = Break address match
- 0 = No break address match

19.2.2.2 Break Address Registers

The break address registers (BRKH and BRKL) contain the high and low bytes of the desired breakpoint address. Reset clears the break address registers.

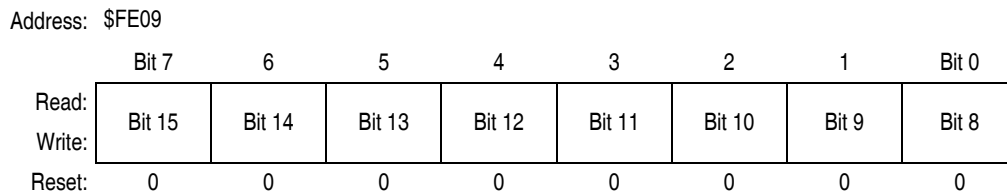


Figure 19-4. Break Address Register High (BRKH)

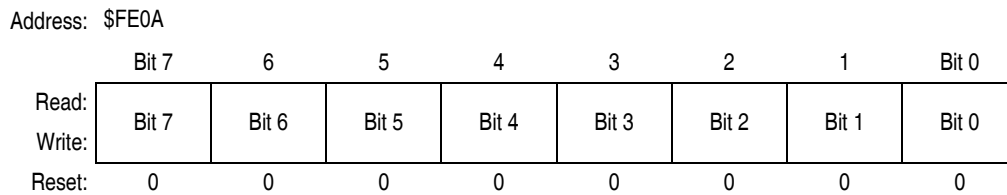


Figure 19-5. Break Address Register Low (BRKL)

19.2.2.3 Break Auxiliary Register

The break auxiliary register (BRKAR) contains a bit that enables software to disable the COP while the MCU is in a state of break interrupt with monitor mode.

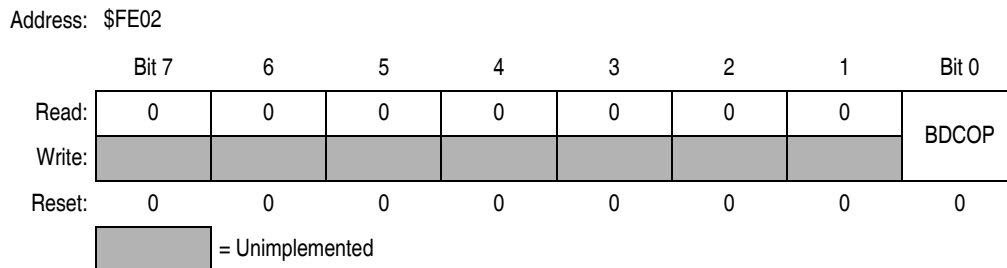


Figure 19-6. Break Auxiliary Register (BRKAR)

BDCOP — Break Disable COP Bit

This read/write bit disables the COP during a break interrupt. Reset clears the BDCOP bit.

- 1 = COP disabled during break interrupt
- 0 = COP enabled during break interrupt.

19.2.2.4 Break Status Register

The break status register (BSR) contains a flag to indicate that a break caused an exit from wait mode. This register is only used in emulation mode.

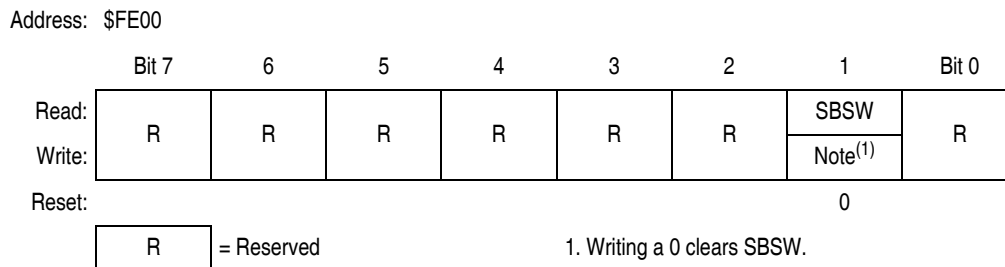


Figure 19-7. Break Status Register (BSR)

SBSW — SIM Break Stop/Wait

This status bit is useful in applications requiring a return to wait mode after exiting from a break interrupt. Clear SBSW by writing a 0 to it. Reset clears SBSW.

- 1 = Wait mode was exited by break interrupt
- 0 = Wait mode was not exited by break interrupt

SBSW can be read within the break state SWI routine. The user can modify the return address on the stack by subtracting one from it.

19.2.2.5 Break Flag Control Register

The break control register (BFCR) contains a bit that enables software to clear status bits while the MCU is in a break state.

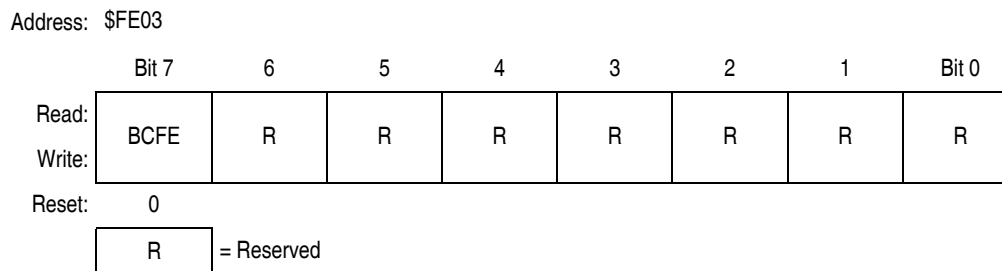


Figure 19-8. Break Flag Control Register (BFCR)

BCFE — Break Clear Flag Enable Bit

This read/write bit enables software to clear status bits by accessing status registers while the MCU is in a break state. To clear status bits during the break state, the BCFE bit must be set.

- 1 = Status bits clearable during break
- 0 = Status bits not clearable during break

19.2.3 Low-Power Modes

The WAIT and STOP instructions put the MCU in low power- consumption standby modes. If enabled, the break module will remain enabled in wait and stop modes. However, since the internal address bus does not increment in these modes, a break interrupt will never be triggered.

19.3 Monitor Module (MON)

NOTE

For monitor entry, V_{TST} must be applied before V_{DD} .

This section describes the monitor module (MON) and the monitor mode entry methods. The monitor module allows complete testing of the microcontroller unit (MCU) through a single-wire interface with a host computer. Monitor mode entry can be achieved without use of the higher test voltage, V_{TST} , as long as vector addresses \$FFFE and \$FFFF are blank, thus reducing the hardware requirements for in-circuit programming.

Features include:

- Normal user-mode pin functionality on most pins
- One pin dedicated to serial communication between monitor read-only memory (ROM) and host computer
- Standard mark/space non-return-to-zero (NRZ) communication with host computer
- Execution of code in random-access memory (RAM) or FLASH
- FLASH memory security feature⁽¹⁾
- FLASH memory programming interface
- Standard communication baud rate (9600 @ 9.8304 MHz external oscillator or 4 MHz generated by internal oscillator)
- Simple monitor mode entry using internal oscillator
- 350 bytes monitor ROM code size (\$FE20–\$FF70)
- Monitor mode entry without high voltage, V_{TST} , if reset vector is blank (\$FFFE and \$FFFF contain \$FF)
- Normal monitor mode entry if high voltage is applied to \overline{IRQ}

19.3.1 Functional Description

Figure 19-9 shows a simplified diagram of the monitor mode entry.

The monitor module receives and executes commands from a host computer.

Figure 19-10, Figure 19-11, and Figure 19-12 show example circuits used to enter monitor mode and communicate with a host computer via a standard RS-232 interface.

Simple monitor commands can access any memory address. In monitor mode, the MCU can execute code downloaded into RAM by a host computer while most MCU pins retain normal operating mode functions. All communication between the host computer and the MCU is through the PTA0 pin. A level-shifting and multiplexing interface is required between PTA0 and the host computer. PTA0 is used in a wired-OR configuration and requires a pullup resistor.

Table 19-1 shows the pin conditions for entering monitor mode. As specified in the table, monitor mode may be entered after a power-on reset (POR) and will allow communication at 9600 baud provided one of the following sets of conditions is met:

- If \$FFFE and \$FFFF does not contain \$FF (programmed state):
 - The external clock is 9.8304 MHz
 - $\overline{IRQ} = V_{TST}$

1. No security feature is absolutely secure. However, Freescale Semiconductor's strategy is to make reading or copying the FLASH difficult for unauthorized users.

NOTE

For entry into normal monitor mode, the $\overline{\text{IRQ}}$ pin must be at V_{TST} before V_{DD} is applied to the device.

- If \$FFFE and \$FFFF contain \$FF (erased state):
 - The external clock is 9.8304 MHz
 - $\overline{\text{IRQ}} = V_{\text{DD}}$ (this can be implemented through the internal $\overline{\text{IRQ}}$ pullup)
- If \$FFFE and \$FFFF contain \$FF (erased state):
 - $\overline{\text{IRQ}} = V_{\text{SS}}$ (internal oscillator is selected, no external clock required)
 - The bus clock generated by the internal oscillator — 4 MHz bus

NOTE

Location \$FFC0 is programmed at the factory with an oscillator trim value that will allow communication at 9600 baud. Erasing this location may prevent communication with the device.

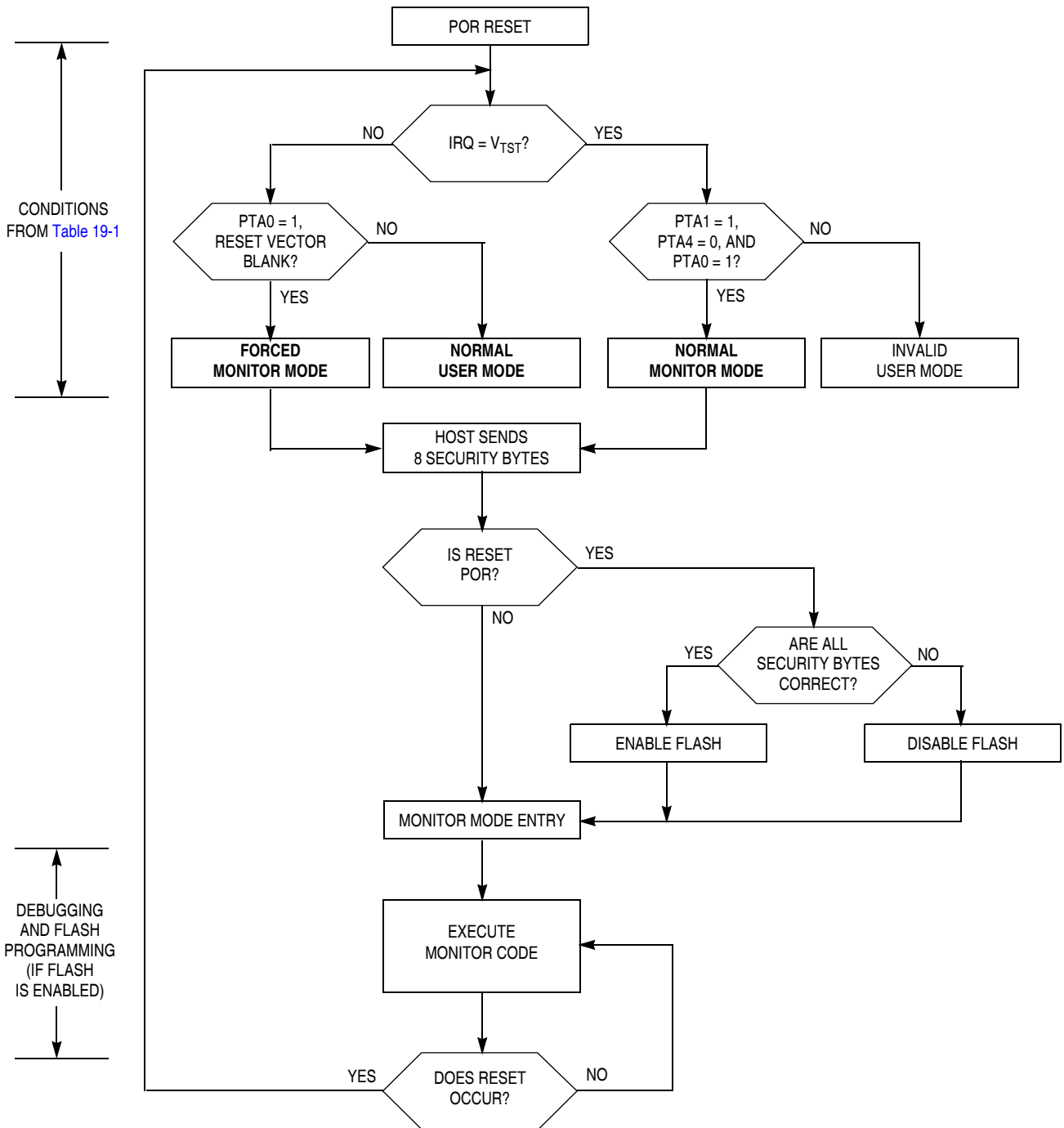


Figure 19-9. Simplified Monitor Mode Entry Flowchart

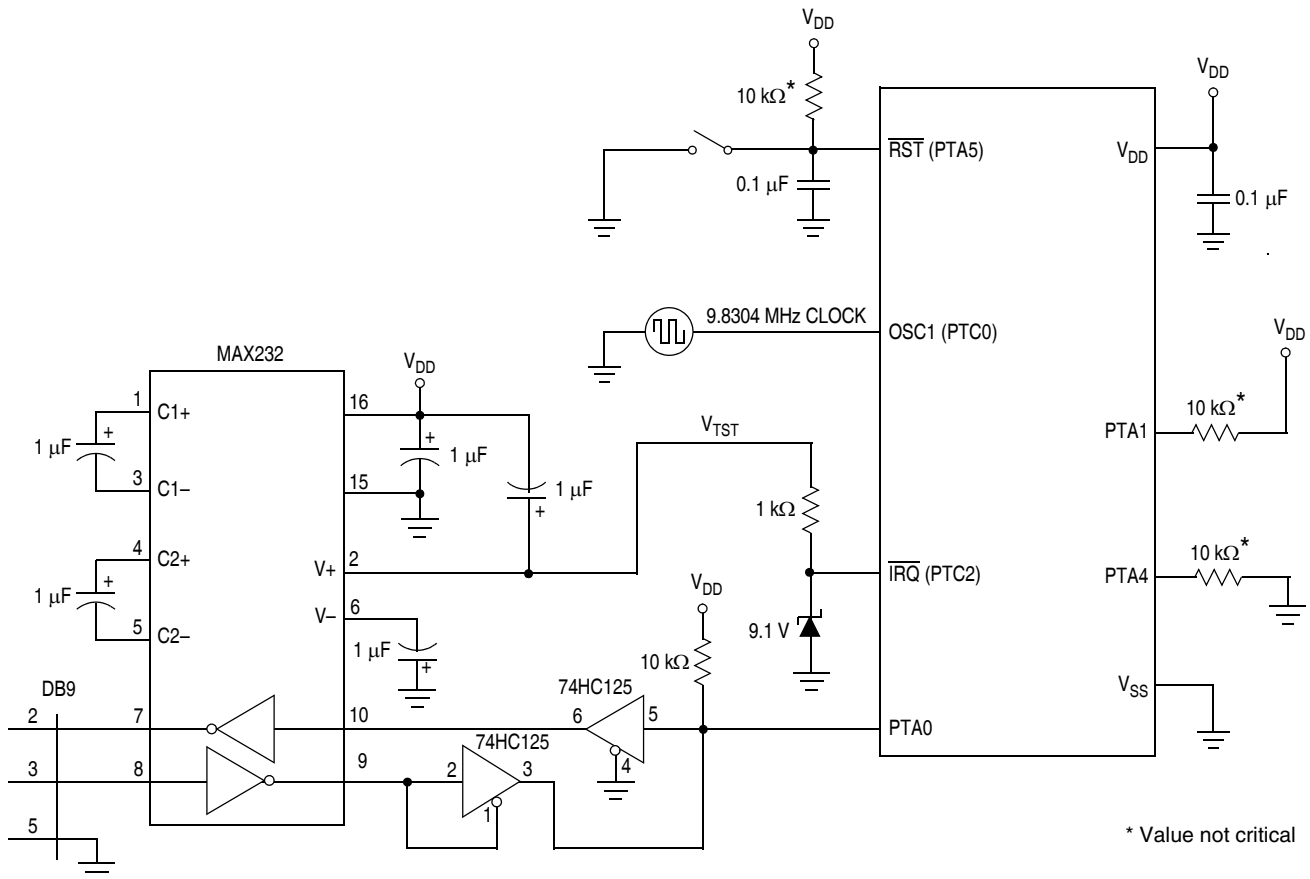


Figure 19-10. Normal Monitor Mode Circuit (External Clock, with High Voltage)

The monitor code has been updated from previous versions of the monitor code to allow enabling the internal oscillator to generate the internal clock. This addition, which is enabled when $\overline{\text{IRQ}}$ is held low out of reset, is intended to support serial communication/programming at 9600 baud in monitor mode by using the internal oscillator, and the internal oscillator user trim value OSCTRIM (FLASH location $\$FFC0$, if programmed) to generate the desired internal frequency (4.0 MHz). Since this feature is enabled only when $\overline{\text{IRQ}}$ is held low out of reset, it cannot be used when the reset vector is programmed (i.e., the value is not $\$FFFF$) because entry into monitor mode in this case requires V_{TST} on $\overline{\text{IRQ}}$.

Enter monitor mode with pin configuration shown in [Figure 19-11](#) by pulling $\overline{\text{RST}}$ low and then high. The rising edge of $\overline{\text{RST}}$ latches monitor mode. Once monitor mode is latched, the values on the specified pins can change.

Once out of reset, the MCU waits for the host to send eight security bytes (see [19.3.2 Security](#)). After the security bytes, the MCU sends a break signal (10 consecutive 0s) to the host, indicating that it is ready to receive a command.

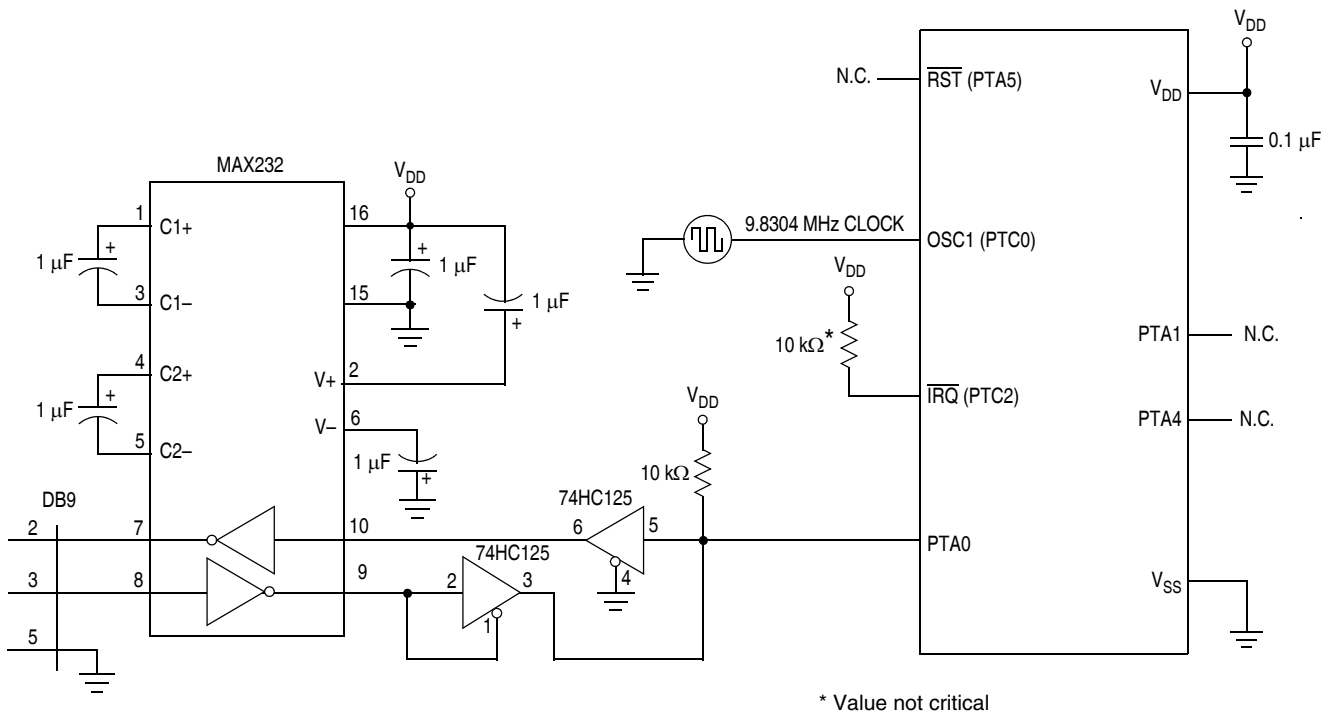


Figure 19-11. Forced Monitor Mode Circuit (External Clock, No High Voltage)

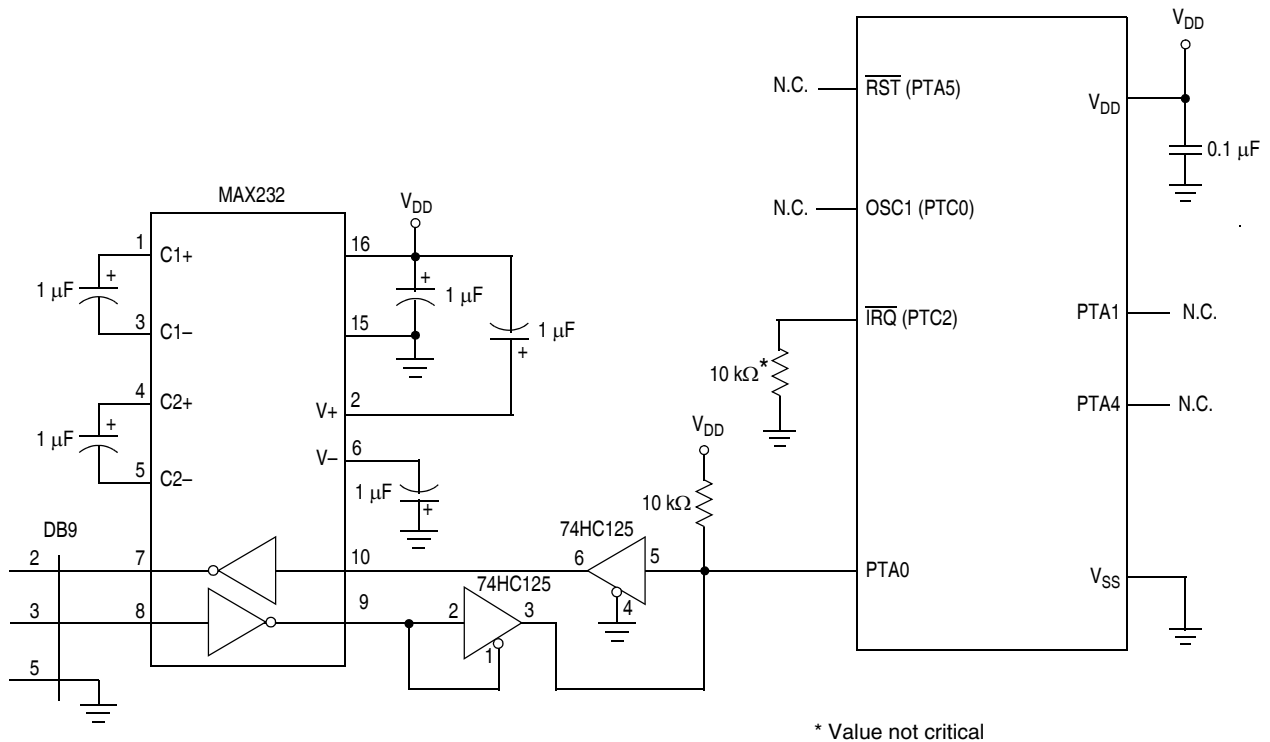


Figure 19-12. Forced Monitor Mode Circuit (Internal Clock, No High Voltage)

Table 19-1. Monitor Mode Signal Requirements and Options

Mode	$\overline{\text{IRQ}}$ (PTC2)	$\overline{\text{RST}}$ (PTA5)	Reset Vector	Serial Communication	Mode Selection		COP	Communication Speed			Comments
				PTA0	PTA1	PTA4		External Clock	Bus Frequency	Baud Rate	
—	X	GND	X	X	X	X	X	X	X	X	Reset condition
Normal Monitor	V_{TST}	V_{DD}	X	1	1	0	Disabled	9.8304 MHz	2.4576 MHz	9600	Provide external clock at OSC1
Forced Monitor	V_{DD}	V_{DD}	\$FF (blank)	1	X	X	Disabled	9.8304 MHz	2.4576 MHz	9600	Provide external clock at OSC1
	GND	V_{DD}	\$FF (blank)	1	X	X	Disabled	X	4 MHz	9600	Internal clock is active
User	V_{DD} or GND	V_{DD}	Not \$FF	X	X	X	Enabled	X	X	X	
MON08 Function [Pin No.]	V_{TST} [6]	$\overline{\text{RST}}$ [4]	—	COM [8]	MOD0 [12]	MOD1 [10]	—	OSC1 [13]	—	—	

1. PTA0 must have a pullup resistor to V_{DD} in monitor mode.
2. Communication speed in the table is an example to obtain a baud rate of 9600. Baud rate using external oscillator is bus frequency / 256 and baud rate using internal oscillator is bus frequency / 417.
3. External clock is an 9.8304 MHz on OSC1.
4. X = don't care
5. MON08 pin refers to P&E Microcomputer Systems' MON08-Cyclone 2 by 8-pin connector.

NC	1	2	GND
NC	3	4	$\overline{\text{RST}}$
NC	5	6	IRQ
NC	7	8	PTA0
NC	9	10	PTA4
NC	11	12	PTA1
OSC1	13	14	NC
V_{DD}	15	16	NC

If entering monitor mode without high voltage on \overline{IRQ} (above condition set 2 or 3, where applied voltage is V_{DD} or V_{SS}), then startup port pin requirements and conditions, (PTA1/PTA4) are not in effect. This is to reduce circuit requirements when performing in-circuit programming.

19.3.1.1 Normal Monitor Mode

\overline{RST} and OSC1 functions will be active on the PTA5 and PTC0 pins, respectively, as long as V_{TST} is applied to the \overline{IRQ} pin. If the \overline{IRQ} pin is lowered (no longer V_{TST}) then the chip will still be operating in monitor mode, but the pin functions will be determined by the settings in the configuration register when V_{TST} was lowered. See [Chapter 5 Configuration Register \(CONFIG\)](#).

When monitor mode is entered with V_{TST} on \overline{IRQ} , the computer operating properly (COP) is disabled as long as V_{TST} is applied to \overline{IRQ} . This condition states that as long as V_{TST} is maintained on the \overline{IRQ} pin after entering monitor mode, then the COP will be disabled.

19.3.1.2 Forced Monitor Mode

If the voltage applied to the $\overline{IRQ1}$ is less than V_{TST} , the MCU will come out of reset in user mode. However, when the reset vector is erased (\$FFFF), the MCU is forced into monitor mode without requiring high voltage on the $\overline{IRQ1}$ pin. Once out of reset, the monitor code is initially executing off the internal clock at its default frequency.

If \overline{IRQ} is tied high (V_{DD}), all pins will default to regular input port functions except for PTA0 and PTC0 which will operate as a serial communication port and OSC1 input respectively (refer to [Figure 19-11](#)). That will allow the clock to be driven from an external source through OSC1 pin.

If \overline{IRQ} is tied low, all pins will default to regular input port function except for PTA0 which will operate as serial communication port. Refer to [Figure 19-12](#). Regardless of the state of the \overline{IRQ} pin, it will not function as a port input pin in monitor mode.

The COP module is disabled in forced monitor mode.

NOTE

If the reset vector is blank and monitor mode is entered, the chip will see an additional reset cycle after the initial power-on reset (POR). Once the part has been programmed, the traditional method of applying a voltage, V_{TST} , to \overline{IRQ} must be used to enter monitor mode.

19.3.1.3 Monitor Vectors

In monitor mode, the MCU uses different vectors for reset, SWI (software interrupt), and break interrupt than those for user mode. The alternate vectors are in the \$FE page instead of the \$FF page and allow code execution from the internal monitor firmware instead of user code.

[Table 19-2](#) summarizes the differences between user mode and monitor mode regarding vectors.

Table 19-2. Mode Difference

Modes	Functions					
	Reset Vector High	Reset Vector Low	Break Vector High	Break Vector Low	SWI Vector High	SWI Vector Low
User	\$FFFE	\$FFFF	\$FFFC	\$FFFD	\$FFFC	\$FFFD
Monitor	\$FEFE	\$FEFF	\$FEFC	\$FEFD	\$FEFC	\$FEFD

19.3.1.4 Data Format

Communication with the monitor module is in standard non-return-to-zero (NRZ) mark/space data format. Transmit and receive baud rates must be identical.



Figure 19-13. Monitor Data Format

19.3.1.5 Break Signal

A start bit (0) followed by nine 0 bits is a break signal. When the monitor receives a break signal, it drives the PTA0 pin high for the duration of two bits and then echoes back the break signal.

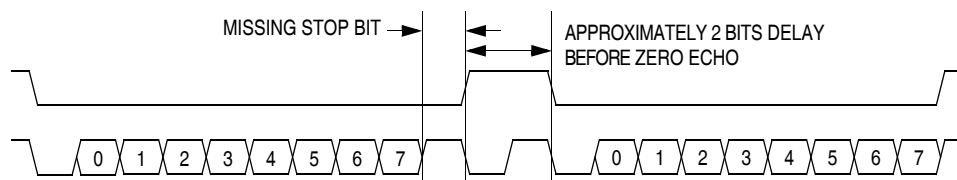


Figure 19-14. Break Transaction

19.3.1.6 Baud Rate

The communication baud rate is controlled by the external clock frequency or internal oscillator frequency.

Table 19-1 has the external frequency required to achieve a standard baud rate of 9600 bps. The effective baud rate is the bus frequency divided by 256 for the external oscillator and divided by 417 for the internal oscillator. If a crystal is used as the source, be aware of the upper frequency limit that the MCU can operate.

19.3.1.7 Commands

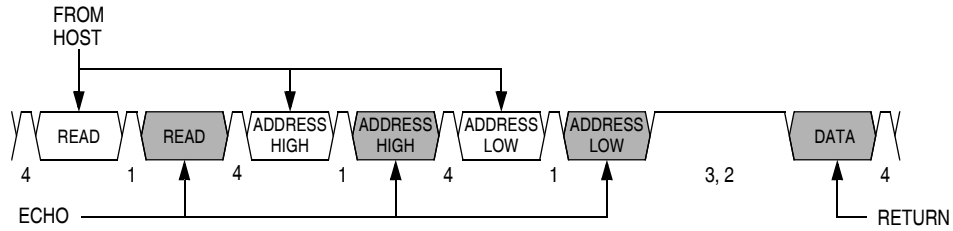
The monitor module firmware uses these commands:

- READ (read memory)
- WRITE (write memory)
- IREAD (indexed read)
- IWRITE (indexed write)
- READSP (read stack pointer)
- RUN (run user program)

The monitor module firmware echoes each received byte back to the PTA0 pin for error checking. An 11-bit delay at the end of each command allows the host to send a break character to cancel the command. A delay of two bit times occurs before each echo and before READ, IREAD, or READSP data is returned. The data returned by a read command appears after the echo of the last byte of the command.

NOTE

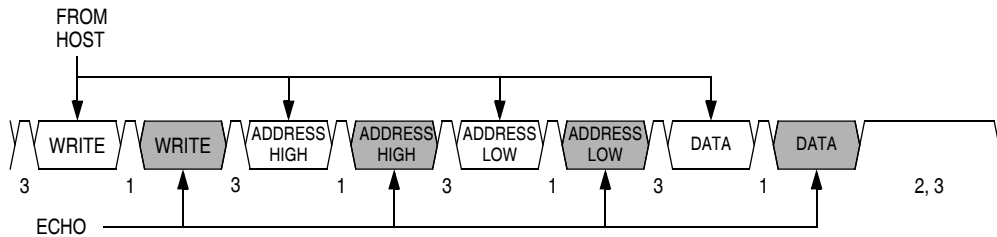
Wait one bit time after each echo before sending the next byte.



Notes:

- 1 = Echo delay, approximately 2 bit times
- 2 = Data return delay, approximately 2 bit times
- 3 = Cancel command delay, 11 bit times
- 4 = Wait 1 bit time before sending next byte.

Figure 19-15. Read Transaction



Notes:

- 1 = Echo delay, approximately 2 bit times
- 2 = Cancel command delay, 11 bit times
- 3 = Wait 1 bit time before sending next byte.

Figure 19-16. Write Transaction

A brief description of each monitor mode command is given in [Table 19-3](#) through [Table 19-8](#).

Table 19-3. READ (Read Memory) Command

Description	Read byte from memory
Operand	2-byte address in high-byte:low-byte order
Data Returned	Returns contents of specified address
Opcode	\$4A
Command Sequence	

Table 19-4. WRITE (Write Memory) Command

Description	Write byte to memory
Operand	2-byte address in high-byte:low-byte order; low byte followed by data byte
Data Returned	None
Opcode	\$49
Command Sequence	

Table 19-5. IREAD (Indexed Read) Command

Description	Read next 2 bytes in memory from last address accessed
Operand	2-byte address in high byte:low byte order
Data Returned	Returns contents of next two addresses
Opcode	\$1A
Command Sequence	

Table 19-6. IWRITE (Indexed Write) Command

Description	Write to last address accessed + 1
Operand	Single data byte
Data Returned	None
Opcode	\$19
Command Sequence	

A sequence of IREAD or IWRITE commands can access a block of memory sequentially over the full 64-Kbyte memory map.

Table 19-7. READSP (Read Stack Pointer) Command

Description	Reads stack pointer
Operand	None
Data Returned	Returns incremented stack pointer value (SP + 1) in high-byte:low-byte order
Opcode	\$0C
Command Sequence	

Table 19-8. RUN (Run User Program) Command

Description	Executes PULH and RTI instructions
Operand	None
Data Returned	None
Opcode	\$28
Command Sequence	

The MCU executes the SWI and PSHH instructions when it enters monitor mode. The RUN command tells the MCU to execute the PULH and RTI instructions. Before sending the RUN command, the host can modify the stacked CPU registers to prepare to run the host program. The READSP command returns the incremented stack pointer value, SP + 1. The high and low bytes of the program counter are at addresses SP + 5 and SP + 6.

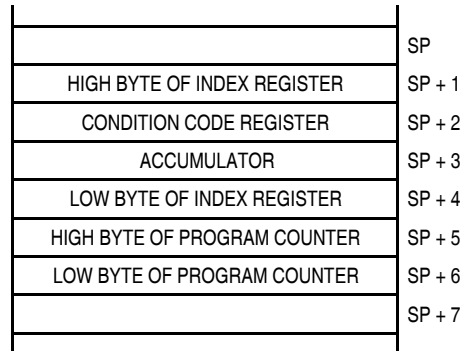


Figure 19-17. Stack Pointer at Monitor Mode Entry

19.3.2 Security

A security feature discourages unauthorized reading of FLASH locations while in monitor mode. The host can bypass the security feature at monitor mode entry by sending eight security bytes that match the bytes at locations \$FFF6–\$FFFD. Locations \$FFF6–\$FFFD contain user-defined data.

NOTE

Do not leave locations \$FFF6–\$FFFD blank. For security reasons, program locations \$FFF6–\$FFFD even if they are not used for vectors.

During monitor mode entry, the MCU waits after the power-on reset for the host to send the eight security bytes on pin PTA0. If the received bytes match those at locations \$FFF6–\$FFFD, the host bypasses the security feature and can read all FLASH locations and execute code from FLASH. Security remains bypassed until a power-on reset occurs. If the reset was not a power-on reset, security remains bypassed and security code entry is not required. See [Figure 19-18](#).

Upon power-on reset, if the received bytes of the security code do not match the data at locations \$FFF6–\$FFFD, the host fails to bypass the security feature. The MCU remains in monitor mode, but reading a FLASH location returns an invalid value and trying to execute code from FLASH causes an illegal address reset. After receiving the eight security bytes from the host, the MCU transmits a break character, signifying that it is ready to receive a command.

NOTE

The MCU does not transmit a break character until after the host sends the eight security bytes.

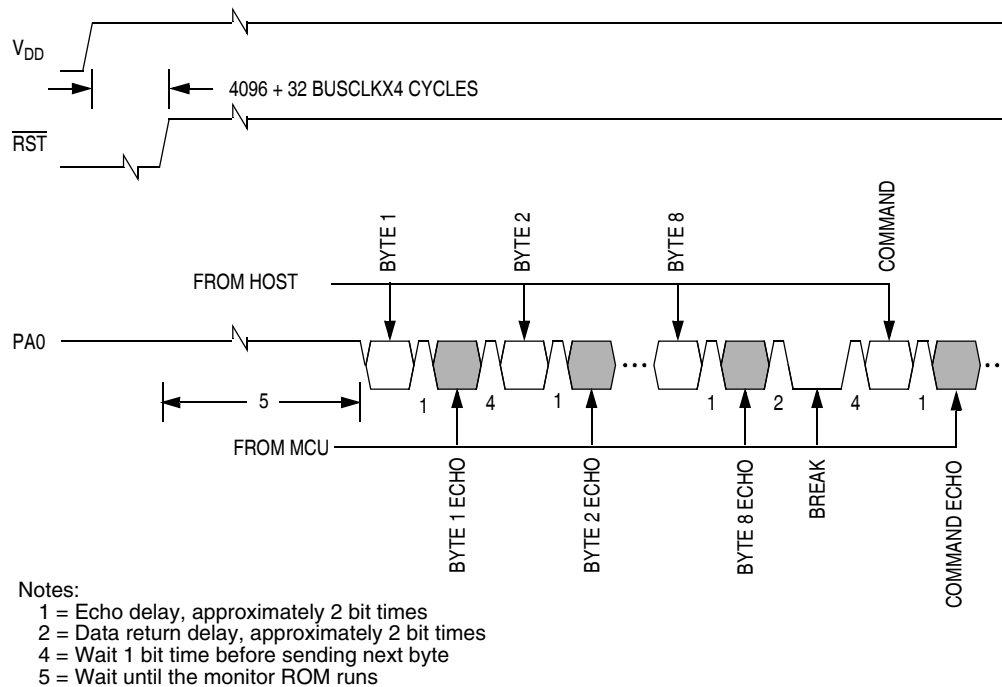


Figure 19-18. Monitor Mode Entry Timing

To determine whether the security code entered is correct, check to see if bit 6 of RAM address \$80 is set. If it is, then the correct security code has been entered and FLASH can be accessed.

If the security sequence fails, the device should be reset by a power-on reset and brought up in monitor mode to attempt another entry. After failing the security sequence, the FLASH module can also be mass erased by executing an erase routine that was downloaded into internal RAM. The mass erase operation clears the security code locations so that all eight security bytes become \$FF (blank).

Chapter 20

Electrical Specifications

20.1 Introduction

This section contains electrical and timing specifications.

20.2 Absolute Maximum Ratings

Maximum ratings are the extreme limits to which the MCU can be exposed without permanently damaging it.

NOTE

This device is not guaranteed to operate properly at the maximum ratings. Refer to [20.5 5.0-Volt Electrical Characteristics](#) and for guaranteed operating conditions.

Characteristic ⁽¹⁾	Symbol	Value	Unit
Supply voltage	V_{DD}	-0.3 to + 6.0	V
Input voltage	V_{In}	$V_{SS} - 0.3$ to $V_{DD} + 0.3$	V
Maximum current per pin excluding those specified below	I	± 15	mA
Maximum current into V_{DD}	I_{MVDD}	100	mA
Maximum current out of V_{SS}	I_{MVSS}	100	mA
Storage temperature	T_{stg}	-55 to +150	°C

NOTES:

1. Voltages referenced to V_{SS}

NOTE

This device contains circuitry to protect the inputs against damage due to high static voltages or electric fields; however, it is advised that normal precautions be taken to avoid application of any voltage higher than maximum-rated voltages to this high-impedance circuit. For proper operation, it is recommended that V_{In} and V_{Out} be constrained to the range $V_{SS} \leq (V_{In} \text{ or } V_{Out}) \leq V_{DD}$. Reliability of operation is enhanced if unused inputs are connected to an appropriate logic voltage level (for example, either V_{SS} or V_{DD}).

20.3 Functional Operating Range

Characteristic	Symbol	Value	Unit
Operating temperature range	T_A	-40 to +125	°C
Operating voltage range	V_{DD}	5.0 ±10%	V

20.4 Thermal Characteristics

Characteristic	Symbol	Value	Unit
Thermal resistance 20-pin SOIC 20-pin PDIP	θ_{JA}	90 70	°C/W
I/O pin power dissipation	$P_{I/O}$	User determined	W
Power dissipation ⁽¹⁾	P_D	$P_D = (I_{DD} \times V_{DD}) + P_{I/O} =$ $K/(T_J + 273 \text{ °C})$	W
Constant ⁽²⁾	K	$P_D \times (T_A + 273 \text{ °C})$ $+ P_D^2 \times \theta_{JA}$	W/°C
Average junction temperature	T_J	$T_A + (P_D \times \theta_{JA})$	°C

NOTES:

- Power dissipation is a function of temperature.
- K is a constant unique to the device. K can be determined for a known T_A and measured P_D . With this value of K, P_D and T_J can be determined for any value of T_A .

20.5 5.0-Volt Electrical Characteristics

Characteristic ⁽¹⁾	Symbol	Min	Typ ⁽²⁾	Max	Unit
Output high voltage $I_{Load} = -8 \text{ mA}$, PTA[0–5], PTB[2–7], PTC1 $I_{Load} = -15 \text{ mA}$, PTA6, PTB0, PTB1, PTC0	V_{OH}	$V_{DD}-0.4$ $V_{DD}-0.8$	— —	— —	V
Maximum combined I_{OH} (all I/O pins)	I_{OHT}	—	—	50	mA
Output low voltage $I_{Load} = 10 \text{ mA}$, \overline{RST} $I_{Load} = 10 \text{ mA}$, PTA[0–5], PTB[2–7], PTC1 $I_{Load} = 15 \text{ mA}$, PTA6, PTB0, PTB1, PTC0	V_{OL}	— — —	— — —	0.4 0.4 0.8	V
Maximum combined I_{OL} (all I/O pins)	I_{OHL}	—	—	50	mA
Input high voltage All I/O pins	V_{IH}	$0.7 \times V_{DD}$	—	V_{DD}	V
Input low voltage All I/O pins	V_{IL}	V_{SS}	—	$0.3 \times V_{DD}$	V

— Continued on next page

Characteristic ⁽¹⁾	Symbol	Min	Typ ⁽²⁾	Max	Unit
V _{DD} supply current					
Run ⁽³⁾	I _{DD}	—	18	25	mA
Wait ⁽⁴⁾		—	12	15	mA
Stop ⁽⁵⁾		—	1	10	μA
–40°C to 125°C with LVI enabled ⁽⁶⁾		—	140	300	μA
I/O ports Hi-Z leakage current ⁽⁶⁾	I _{IL}	–10	—	+10	μA
Input current	I _{In}	–1	—	+1	μA
Pullup resistors (as input only) Ports PTA6/KBD6–PTA0/KBD0, PTC2–PTC0, $\overline{\text{RST}}$, $\overline{\text{IRQ}}$	R _{PU}	16	26	36	kΩ
Capacitance	C _{Out}	—	—	12	pF
Ports (as input or output)	C _{In}	—	—	8	
Monitor mode entry voltage	V _{TST}	V _{DD} + 2.5	—	9.1	V
Low-voltage inhibit, trip falling voltage	V _{TRIPF}	3.90	4.20	4.50	V
Low-voltage inhibit, trip rising voltage	V _{TRIPR}	4.00	4.30	4.60	V
Low-voltage inhibit reset/recover hysteresis (V _{TRIPF} + V _{HYS} = V _{TRIPR})	V _{HYS}	—	100	—	mV
POR rearm voltage ⁽⁷⁾	V _{POR}	0	—	100	mV
POR reset voltage ⁽⁸⁾	V _{PORRST}	0	700	800	mV
POR rise time ramp rate ⁽⁹⁾	R _{POR}	0.035	—	—	V/ms

NOTES:

- V_{DD} = 5.0 Vdc ± 10%, V_{SS} = 0 Vdc, T_A = T_A (min) to T_A (max), unless otherwise noted
- Typical values reflect average measurements at midpoint of voltage range, 25°C only.
- Run (operating) I_{DD} measured using external square wave clock source (f_{OSC} = 32 MHz). All inputs 0.2 V from rail. No dc loads. Less than 100 pF on all outputs. C_L = 20 pF on OSC2. All ports configured as inputs. OSC2 capacitance linearly affects run I_{DD}. Measured with all modules enabled.
- Wait I_{DD} measured using external square wave clock source (f_{OSC} = 32 MHz). All inputs 0.2 V from rail. No dc loads. Less than 100 pF on all outputs. C_L = 20 pF on OSC2. All ports configured as inputs. OSC2 capacitance linearly affects wait I_{DD}. Measured with ICG and LVI enabled.
- Stop I_{DD} is measured with OSC1 = V_{SS}.
- Pullups and pull downs are disabled. Port B leakage is specified in [20.8 5.0-Volt ADC Characteristics](#).
- Maximum is highest voltage that POR is guaranteed.
- Maximum is highest voltage that POR is possible.
- If minimum V_{DD} is not reached before the internal POR reset is released, $\overline{\text{RST}}$ must be driven low externally until minimum V_{DD} is reached.

20.6 5.0-Volt Control Timing

Characteristic ⁽¹⁾	Symbol	Min	Max	Unit
Internal operating frequency	f _{OP} (f _{Bus})	—	8	MHz
Internal clock period (1/f _{OP})	t _{CYC}	125	—	ns
$\overline{\text{RST}}$ input pulse width low ⁽²⁾	t _{RL}	750	—	ns
$\overline{\text{IRQ}}$ interrupt pulse width low ⁽³⁾ (edge-triggered)	t _{LIH}	50	—	ns
$\overline{\text{IRQ}}$ interrupt pulse period	t _{LIL}	Note 5	—	t _{CYC}

Electrical Specifications

NOTES:

1. $V_{SS} = 0$ Vdc; timing shown with respect to 20% V_{DD} and 70% V_{DD} unless otherwise noted.
2. Minimum pulse width reset is guaranteed to be recognized. It is possible for a smaller pulse width to cause a reset.
3. Minimum pulse width is for guaranteed interrupt. It is possible for a smaller pulse width to be recognized.

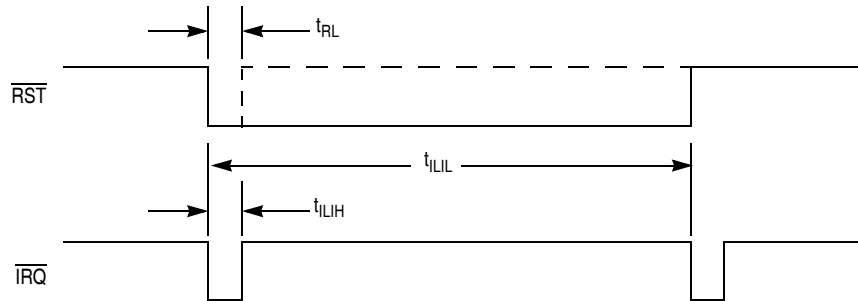


Figure 20-1. \overline{RST} and \overline{IRQ} Timing

20.7 Oscillator Characteristics

Characteristic	Symbol	Min	Typ	Max	Unit
Internal oscillator frequency (factory trimmed)	f_{INTCLK}	15.2	16 ⁽¹⁾	16.8	MHz
Crystal frequency, XTALCLK	f_{OSCCLK}	8	—	24	MHz
External RC oscillator frequency, RCCLK	f_{RCCLK}	2	—	12	MHz
External clock reference frequency ⁽²⁾	f_{OSCCLK}	dc	—	32	MHz
Crystal load capacitance ⁽³⁾	C_L	—	20	—	pF
Crystal fixed capacitance ⁽²⁾	C_1	—	$2 \times C_L$	—	—
Crystal tuning capacitance ⁽²⁾	C_2	—	$2 \times C_L$	—	—
Feedback bias resistor	R_B	—	10	—	M Ω
RC oscillator external resistor	R_{EXT}	See Figure 20-2			—

NOTES:

1. Characterization shows that $\pm 3.5\%$ could be achieved from -40 to 85°C .
2. No more than 10% duty cycle deviation from 50%.
3. Consult crystal vendor data sheet.

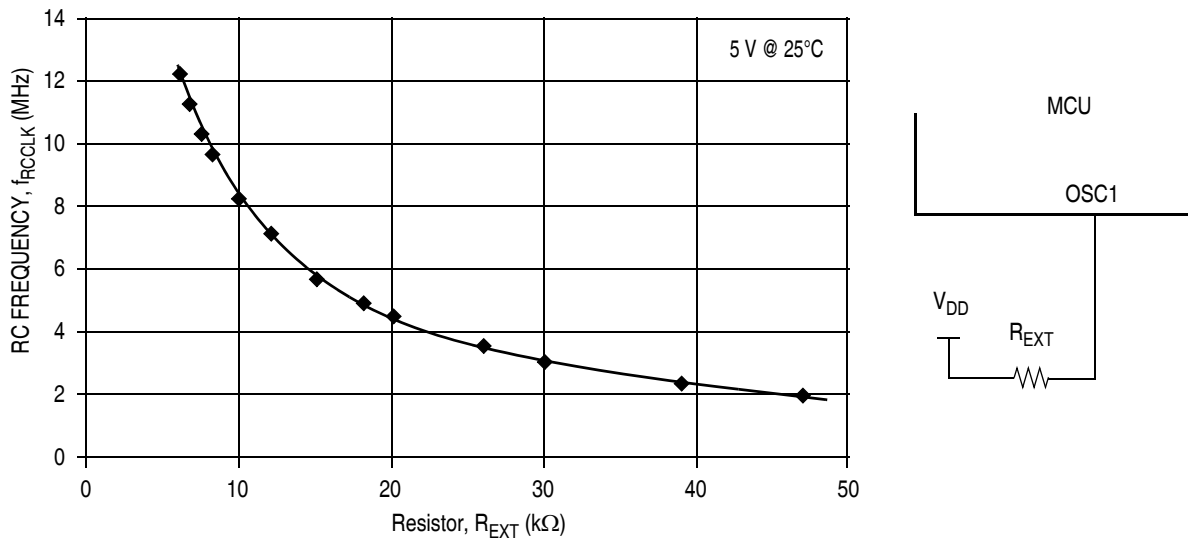


Figure 20-2. RC versus Frequency (5 Volts @ 25°C)

20.8 5.0-Volt ADC Characteristics

Characteristic	Symbol	Min	Max	Unit	Comments
Supply voltage	V_{DDAD}	4.5 (V_{DD} min)	5.5 (V_{DD} max)	V	—
Input voltages	V_{ADIN}	V_{SS}	V_{DD}	V	—
Resolution	B_{AD}	8	8	Bits	—
Absolute accuracy	A_{AD}	± 0.5	± 1.5	LSB	Includes quantization
ADC internal clock	f_{ADIC}	0.5	1.048	MHz	$t_{ADIC} = 1/f_{ADIC}$, tested only at 1 MHz
Conversion range	R_{AD}	V_{SS}	V_{DD}	V	—
Power-up time	t_{ADPU}	16	—	t_{ADIC} cycles	$t_{ADIC} = 1/f_{ADIC}$
Conversion time	t_{ADC}	16	17	t_{ADIC} cycles	$t_{ADIC} = 1/f_{ADIC}$
Sample time ⁽¹⁾	t_{ADS}	5	—	t_{ADIC} cycles	$t_{ADIC} = 1/f_{ADIC}$
Zero input reading ⁽²⁾	Z_{ADI}	00	01	Hex	$V_{IN} = V_{SS}$
Full-scale reading ⁽³⁾	F_{ADI}	FE	FF	Hex	$V_{IN} = V_{DD}$
Input capacitance	C_{ADI}	—	8	pF	Not tested
Input leakage ⁽³⁾	—	—	± 1	μ A	—

NOTES:

1. Source impedances greater than 10 k Ω adversely affect internal RC charging time during input sampling.
2. Zero-input/full-scale reading requires sufficient decoupling measures for accurate conversions.
3. The external system error caused by input leakage current is approximately equal to the product of R source and input current.

20.9 Op Amp Parameters

(Measured over -40°C to +125°C at operating voltage = 5V; $R_L = 20k\Omega$ unless specified)

Parameter	Minimum	Typical	Maximum	Unit
Input offset current ⁽¹⁾⁽²⁾	—	—	± 10	nA
Input offset voltage	—	± 5	± 15	mV
Input bias current ⁽¹⁾⁽²⁾	—	—	± 10	nA
Common mode voltage range low ⁽²⁾	—	1.2	1.5	V
Common mode voltage range high ⁽²⁾	VDD-2.0	VDD-1.6	—	V
Input resistance ⁽¹⁾⁽²⁾	10	—	—	MΩ
Input common mode rejection ratio (DC)	55	60	—	dB
Power supply rejection ratio (DC)	55	60	—	dB
Slew rate ($\Delta V_{IN}=100mV$, $R_L=20k\Omega$)	4.5	—	—	V/μs
Gain bandwidth product ⁽²⁾	2.5	—	—	MHz
Open loop voltage gain	60	70	—	dB
Load capacitance driving capability ⁽²⁾⁽³⁾	—	—	100	pF
Output voltage range (large signal, $R_L=20k\Omega$)	0.4	—	VDD-0.4	V
Output voltage range (small signal, $R_L=20k\Omega$)	0.5	—	VDD-0.4	V
Output short circuit current	± 1	± 2	—	mA
Output resistance	—	1500	—	Ω (ohm)
Gain margin ⁽²⁾	—	20	—	dB
Phase margin ⁽²⁾	45	55	—	degree
AC input impedance (100kHz) ⁽²⁾	—	0.5	—	MΩ
Input capacitance ⁽²⁾	—	—	5	pF
Supply current ⁽²⁾⁽³⁾⁽⁴⁾	—	5	—	mA

NOTES:

1. Excludes pad leakage current.
2. These values are from design and are not tested.
3. Recommended external capacitive load.
4. Supply current measured with $R_L = 20k\Omega$ at maximum output.

20.10 Comparator Parameters

(Measured over -40°C to +125°C at operating voltage = 5V; $R_L = 20k\Omega$ unless specified)

Parameter	Minimum	Typical	Maximum	Unit
Input offset current ⁽¹⁾⁽²⁾	—	—	± 10	nA
Input offset voltage	—	± 5	± 15	mV
Input bias current ⁽¹⁾⁽²⁾	—	—	± 10	nA
Common mode voltage range low ⁽²⁾	—	1.2	1.5	V
Common mode voltage range high ⁽²⁾	VDD-2.0	VDD-1.6	—	V
Input resistance ⁽¹⁾⁽²⁾	10	—	—	MΩ
Input common mode rejection ratio (DC)	55	—	—	dB
Respond Time (0.4V to $V_{DD}-0.4V$ swing, $\Delta V_{IN}=100mV$, $R_L=20k\Omega$)	—	0.5	—	μs
DC open loop voltage gain ⁽²⁾	60	—	—	dB
Output Voltage Range ($I_L = \pm 8mA$)	Same as PTB7	—	Same as PTB7	V
Output short circuit current	—	Same as PTB7	—	mA
Input capacitance ⁽²⁾	—	—	5	pF
Supply current ⁽²⁾⁽³⁾	—	0.5	—	mA

NOTES:

1. Excludes pad leakage current.
2. These values are from design and are not tested.
3. Supply current measured with $R_L = 20k\Omega$ at maximum output.

20.11 Timer Interface Module Characteristics

Characteristic	Symbol	Min	Max	Unit
Timer input capture pulse width	t_{TH}, t_{TL}	2	—	t_{CYC}
Timer Input capture period	t_{TLTL}	Note ⁽¹⁾	—	t_{CYC}

NOTES:

1. The minimum period is the number of cycles it takes to execute the interrupt service routine plus 1 t_{CYC} .

Electrical Specifications

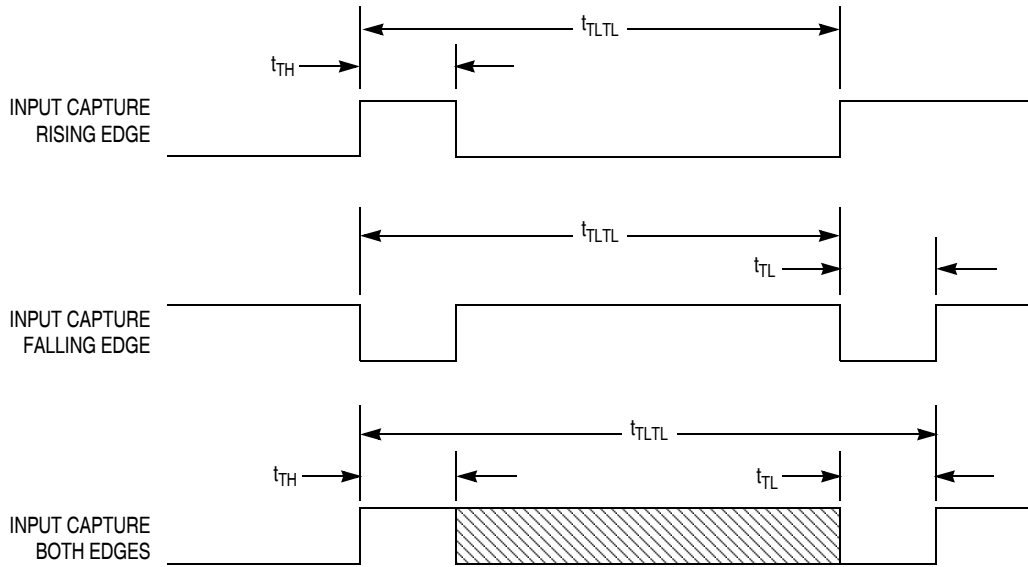


Figure 20-3. Input Capture Timing

20.12 Memory Characteristics

Characteristic	Symbol	Min	Typ	Max	Unit
RAM data retention voltage	V_{RDR}	1.3	—	—	V
FLASH program bus clock frequency	—	1	—	—	MHz
FLASH read bus clock frequency	$f_{Read}^{(1)}$	0	—	8 M	Hz
FLASH page erase time <1 K cycles >1 K cycles	$t_{Erase}^{(2)}$	0.9 3.6	1 4	1.1 5.5	ms
FLASH mass erase time	$t_{MErase}^{(3)}$	4	—	—	ms
FLASH PGM/ERASE to HVEN setup time	t_{NVS}	10	—	—	μ s
FLASH high-voltage hold time	t_{NVH}	5	—	—	μ s
FLASH high-voltage hold time (mass erase)	t_{NVHL}	100	—	—	μ s
FLASH program hold time	t_{PGS}	5	—	—	μ s
FLASH program time	t_{PROG}	30	—	40	μ s
FLASH return to read time	$t_{RCV}^{(4)}$	1	—	—	μ s
FLASH cumulative program HV period	$t_{HV}^{(5)}$	—	—	4	ms
FLASH endurance ⁽⁶⁾	—	10 k	100 k	—	Cycles
FLASH data retention time ⁽⁷⁾	—	15	100	—	Years

NOTES:

1. f_{Read} is defined as the frequency range for which the FLASH memory can be read.
2. If the page erase time is longer than $t_{\text{Erase}}(\text{min})$, there is no erase disturb, but it reduces the endurance of the FLASH memory.
3. If the mass erase time is longer than $t_{\text{MErase}}(\text{min})$, there is no erase disturb, but it reduces the endurance of the FLASH memory.
4. t_{RCV} is defined as the time it needs before the FLASH can be read after turning off the high voltage charge pump, by clearing HVEN to 0.
5. t_{HV} is defined as the cumulative high voltage programming time to the same row before next erase.
 t_{HV} must satisfy this condition: $t_{\text{NVS}} + t_{\text{NVH}} + t_{\text{PGS}} + (t_{\text{PROG}} \times 32) \leq t_{\text{HV}} \text{ maximum}$.
6. Typical endurance was evaluated for this product family. For additional information on how Freescale Semiconductor defines *Typical Endurance*, please refer to Engineering Bulletin EB619.
7. Typical data retention values are based on intrinsic capability of the technology measured at high temperature and de-rated to 25°C using the Arrhenius equation. For additional information on how Freescale Semiconductor defines *Typical Data Retention*, please refer to Engineering Bulletin EB618.

Chapter 21

Ordering Information and Mechanical Specifications

21.1 Introduction

This section provides ordering information for the MC68HC908GZ8 along with the dimensions for:

- 20-pin small outline intergrated circuit (SOIC) — case 751D
- 20-pin plastic dual in-line package (PDIP) — case 738

The following figures show the latest package drawings at the time of this publication. To make sure that you have the latest package specifications, contact your local Freescale Semiconductor Sales Office.

21.2 MC Order Numbers

Table 21-1. MC Order Numbers

MC Order Number	Operating Temperature Range	Package
MC68HC908LB8CDWE	-40°C to +85°C	20-pin Small outline integrated circuit (SOIC)
MC68HC908LB8VDWE	-40°C to +105°C	
MC68HC908LB8MDWE	-40°C to +125°C	
MC68HC908LB8CPE	-40°C to +85°C	20-pin Plastic dual In-line package (PDIP)
MC68HC908LB8VPE	-40°C to +105°C	
MC68HC908LB8MPE	-40°C to +125°C	

Temperature and package designators:

C = -40°C to +85°C

V = -40°C to +105°C

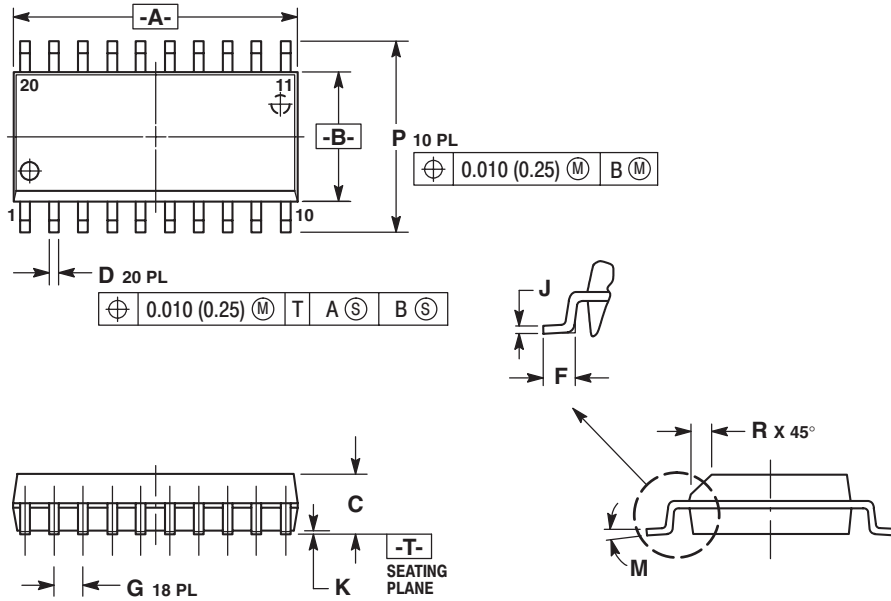
M = -40°C to +125°C

DW = Small outline integrated circuit package (SOIC)

E = Leadfree

P = Plastic dual in-line package (PDIP)

21.3 20-Pin Small Outline Integrated Circuit (SOIC) Package — Case #751D

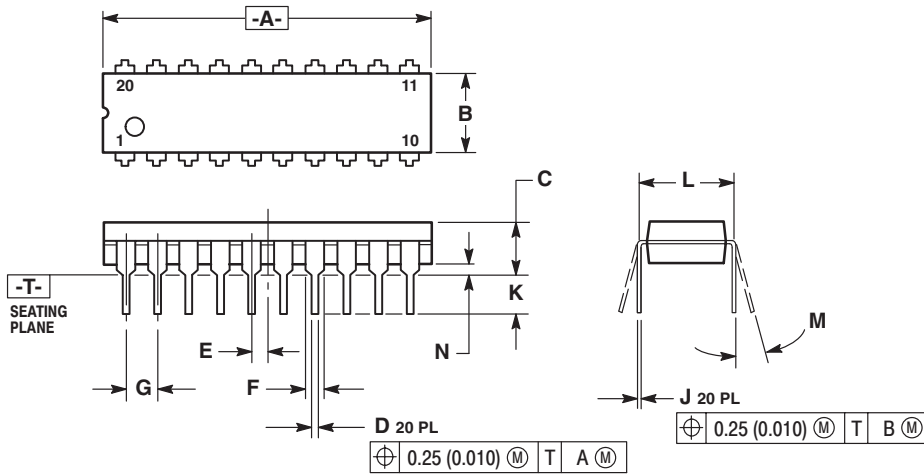


NOTES:

1. DIMENSIONING AND TOLERANCING PER ANSI Y14.5M, 1982.
2. CONTROLLING DIMENSION: MILLIMETER.
3. DIMENSIONS A AND B DO NOT INCLUDE MOLD PROTRUSION.
4. MAXIMUM MOLD PROTRUSION 0.150 (0.006) PER SIDE.
5. DIMENSION D DOES NOT INCLUDE DAMBAR PROTRUSION. ALLOWABLE DAMBAR PROTRUSION SHALL BE 0.13 (0.005) TOTAL IN EXCESS OF D DIMENSION AT MAXIMUM MATERIAL CONDITION.

DIM	MILLIMETERS		INCHES	
	MIN	MAX	MIN	MAX
A	12.65	12.95	0.499	0.510
B	7.40	7.60	0.292	0.299
C	2.35	2.65	0.093	0.104
D	0.35	0.49	0.014	0.019
F	0.50	0.90	0.020	0.035
G	1.27 BSC		0.050 BSC	
J	0.25	0.32	0.010	0.012
K	0.10	0.25	0.004	0.009
M	0°	7°	0°	7°
P	10.05	10.55	0.395	0.415
R	0.25	0.75	0.010	0.029

21.4 20-Pin Plastic Dual In-Line Package (PDIP) — Case #738



NOTES:

1. DIMENSIONING AND TOLERANCING PER ANSI Y14.5M, 1982.
2. CONTROLLING DIMENSION: INCH.
3. DIMENSION L TO CENTER OF LEAD WHEN FORMED PARALLEL.
4. DIMENSION B DOES NOT INCLUDE MOLD FLASH.

DIM	INCHES		MILLIMETERS	
	MIN	MAX	MIN	MAX
A	1.010	1.070	25.66	27.17
B	0.240	0.260	6.10	6.60
C	0.150	0.180	3.81	4.57
D	0.015	0.022	0.39	0.55
E	0.050 BSC		1.27 BSC	
F	0.050	0.070	1.27	1.77
G	0.100 BSC		2.54 BSC	
J	0.008	0.015	0.21	0.38
K	0.110	0.140	2.80	3.55
L	0.300 BSC		7.62 BSC	
M	0°	15°	0°	15°
N	0.020	0.040	0.51	1.01

How to Reach Us:

Home Page:

www.freescale.com

E-mail:

support@freescale.com

USA/Europe or Locations Not Listed:

Freescale Semiconductor
Technical Information Center, CH370
1300 N. Alma School Road
Chandler, Arizona 85224
+1-800-521-6274 or +1-480-768-2130
support@freescale.com

Europe, Middle East, and Africa:

Freescale Halbleiter Deutschland GmbH
Technical Information Center
Schatzbogen 7
81829 Muenchen, Germany
+44 1296 380 456 (English)
+46 8 52200080 (English)
+49 89 92103 559 (German)
+33 1 69 35 48 48 (French)
support@freescale.com

Japan:

Freescale Semiconductor Japan Ltd.
Headquarters
ARCO Tower 15F
1-8-1, Shimo-Meguro, Meguro-ku,
Tokyo 153-0064, Japan
0120 191014 or +81 3 5437 9125
support.japan@freescale.com

Asia/Pacific:

Freescale Semiconductor Hong Kong Ltd.
Technical Information Center
2 Dai King Street
Tai Po Industrial Estate
Tai Po, N.T., Hong Kong
+800 2666 8080
support.asia@freescale.com

For Literature Requests Only:

Freescale Semiconductor Literature Distribution Center
P.O. Box 5405
Denver, Colorado 80217
1-800-441-2447 or 303-675-2140
Fax: 303-675-2150
LDCForFreescaleSemiconductor@hibbertgroup.com

RoHS-compliant and/or Pb-free versions of Freescale products have the functionality and electrical characteristics of their non-RoHS-compliant and/or non-Pb-free counterparts. For further information, see <http://www.freescale.com> or contact your Freescale sales representative.

For information on Freescale's Environmental Products program, go to <http://www.freescale.com/epp>.

Information in this document is provided solely to enable system and software implementers to use Freescale Semiconductor products. There are no express or implied copyright licenses granted hereunder to design or fabricate any integrated circuits or integrated circuits based on the information in this document.

Freescale Semiconductor reserves the right to make changes without further notice to any products herein. Freescale Semiconductor makes no warranty, representation or guarantee regarding the suitability of its products for any particular purpose, nor does Freescale Semiconductor assume any liability arising out of the application or use of any product or circuit, and specifically disclaims any and all liability, including without limitation consequential or incidental damages. "Typical" parameters that may be provided in Freescale Semiconductor data sheets and/or specifications can and do vary in different applications and actual performance may vary over time. All operating parameters, including "Typicals", must be validated for each customer application by customer's technical experts. Freescale Semiconductor does not convey any license under its patent rights nor the rights of others. Freescale Semiconductor products are not designed, intended, or authorized for use as components in systems intended for surgical implant into the body, or other applications intended to support or sustain life, or for any other application in which the failure of the Freescale Semiconductor product could create a situation where personal injury or death may occur. Should Buyer purchase or use Freescale Semiconductor products for any such unintended or unauthorized application, Buyer shall indemnify and hold Freescale Semiconductor and its officers, employees, subsidiaries, affiliates, and distributors harmless against all claims, costs, damages, and expenses, and reasonable attorney fees arising out of, directly or indirectly, any claim of personal injury or death associated with such unintended or unauthorized use, even if such claim alleges that Freescale Semiconductor was negligent regarding the design or manufacture of the part.



Freescale™ and the Freescale logo are trademarks of Freescale Semiconductor, Inc. All other product or service names are the property of their respective owners. The ARM POWERED logo is a registered trademark of ARM Limited. ARM7TDMI-S is a trademark of ARM Limited. Java and all other Java-based marks are trademarks or registered trademarks of Sun Microsystems, Inc. in the U.S. and other countries. The Bluetooth trademarks are owned by their proprietor and used by Freescale Semiconductor, Inc. under license.

© Freescale Semiconductor, Inc. 2005. All rights reserved.