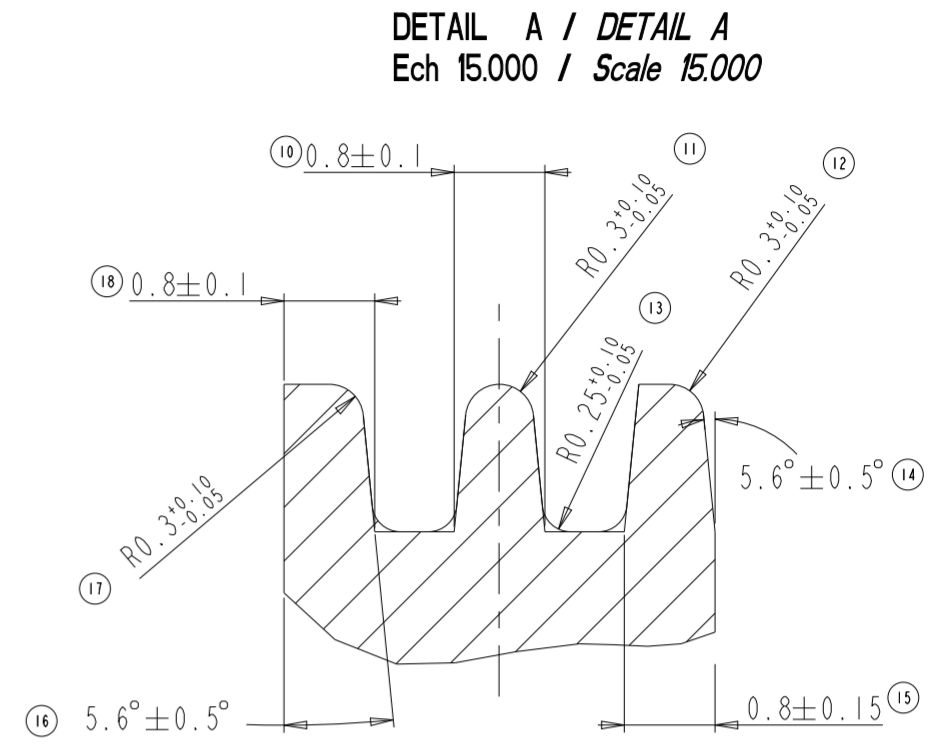
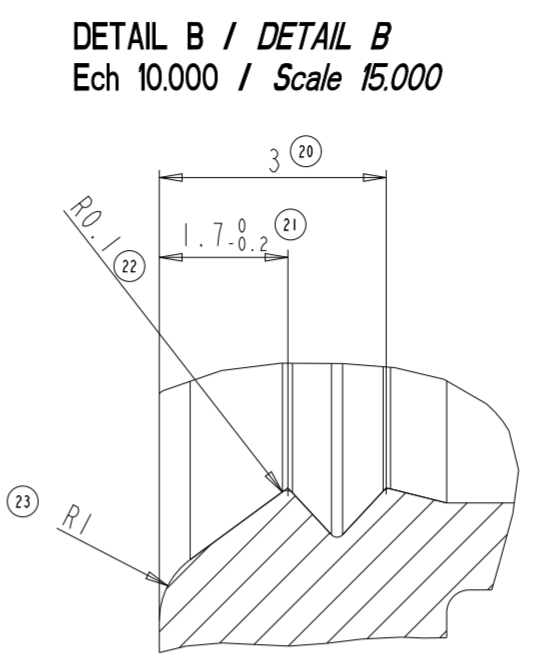
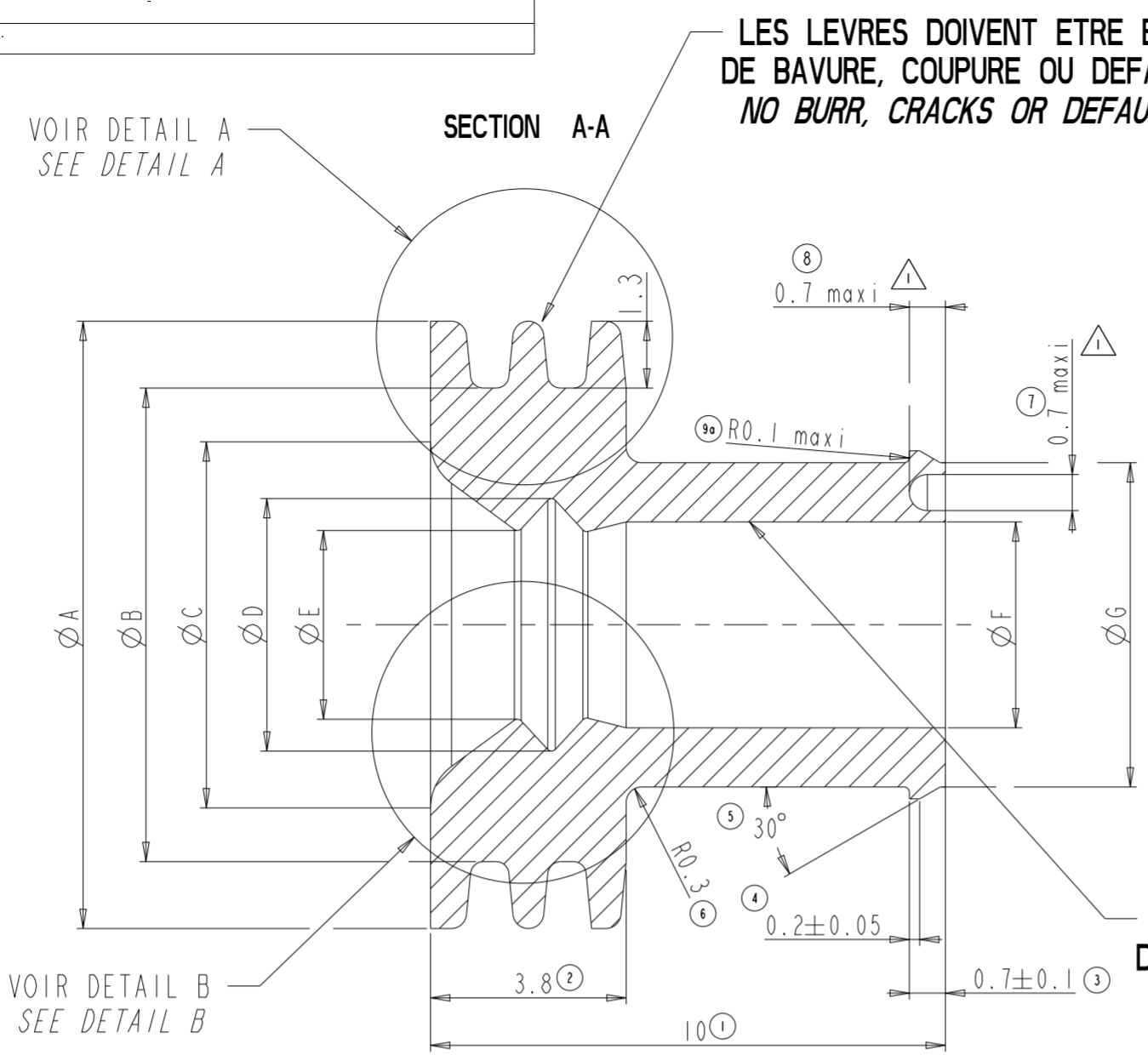
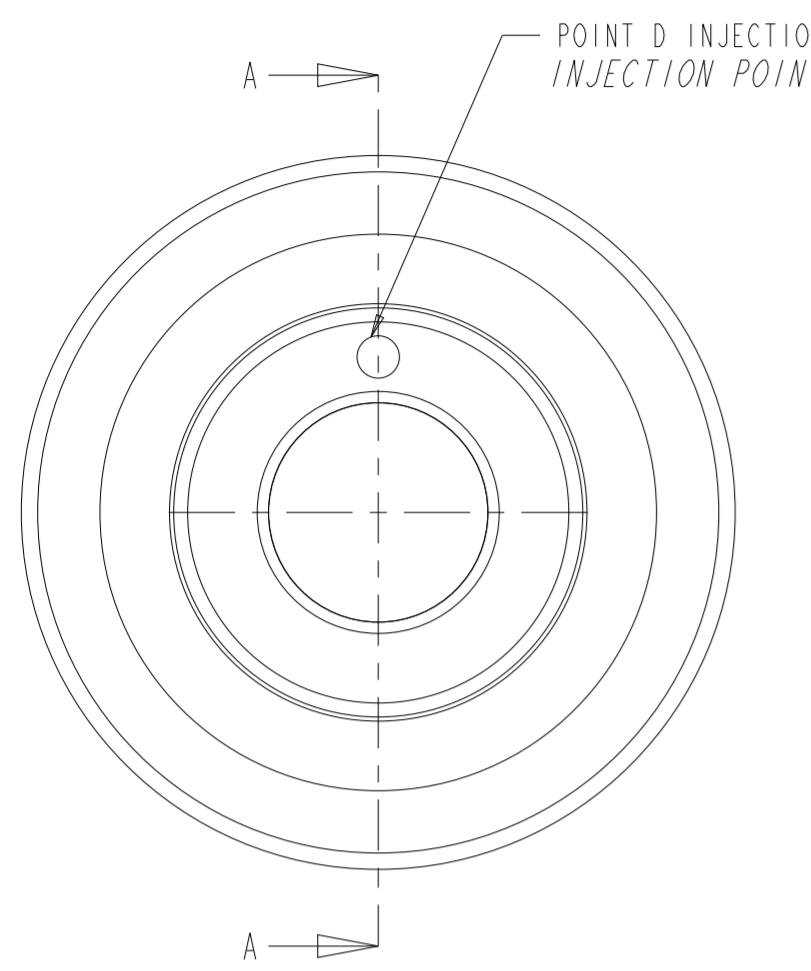


THIS DRAWING IS UNPUBLISHED. RELEASED FOR PUBLICATION
 © COPYRIGHT copyright.dBTe- ALL RIGHTS RESERVED.

REVISIONS				
P	LTR	DESCRIPTION	DATE	APVD
D		rep 15 0.8±0.15 WAS 0.8++0.1	25OCT2018	PB XR
E		TITLE BLOCK CORRECTED	04MAR2021	FB XR

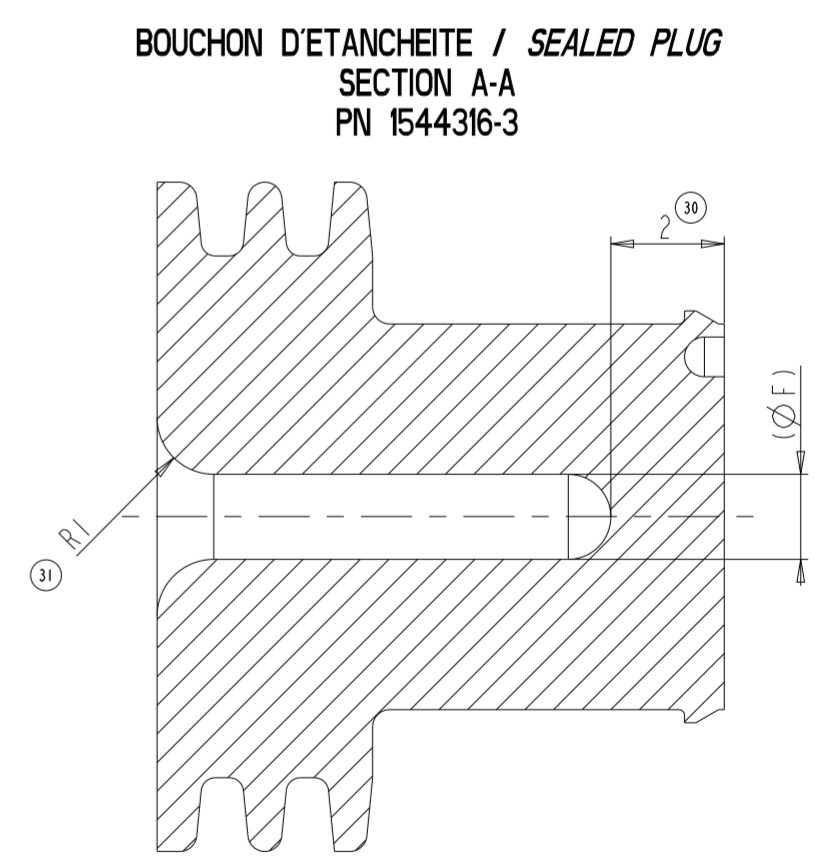


DESIGNATION DESCRIPTION	COULEUR COLOR	REF PRONER PN PRONER	A	B	C	D	E	F	G	REF PSA PN PSA	REF RENAULT PN RENAULT	REF TE PN TE	MASSE WEIGHT
JOINT UNIFILAIRE A SERTIR SINGLE WIRE SEAL SECTION : 3 A (TO) 6 mm ²	VERT A455±5 GREEN	P8010489526	11.8	9.2	7	4	2.6	3	5.3	9637215880	8200 072 611	1544316-1	0.443 g
JOINT UNIFILAIRE A SERTIR SINGLE WIRE SEAL SECTION : 7 A (TO) 10 mm ²	ORANGE A110/A130 ORANGE	P8010589526	11.8	9.2	7	6	4	4.5	6.8	9637215980	8200 072 613	1544316-2	0.447 g
BOUCHON D'ETANCHEITE SEALING PLUG	BLANC WHITE	P8010689526	11.8	9.2	--	--	--	1.5	6.8	9637216080	8200 402 054	1544316-3	0.622 g

Notes: -Bavure du point d'injection située dans une zone non fonctionnelle doit être inférieure à 0.4mm de hauteur et 0.3mm d'épaisseur.
 -An injection point burr located in a no functional area must be less than 0.4mm high and 0.3mm thick
 -Cotes fonctionnelle A-B-C-D-E-F-G-10-18-15/Functional dimension A-B-C-D-E-F-G-10-18-15

SPECIFICATION
 -Micro dureté 45±5 DIDC selon NFT46003 (sur pieces transformées).
 -Micro hardness 45±5 DIDC according to NF 4600 (on transformed parts).
 -Allongement à la rupture selon DIN 53 504.
 -Elongation at break according to DIN 53 504
 -Déformation rémanente apres compression 22h/175°C selon DIN 53 517
 -Residual deformation after compression 22h/175°C according to DIN 53 517
 -Resistance au déchirement suivant norme ASTM D 624/B
 -Tear strengt according to standard ASTM D 624/B
 -Tenu aux fluides selon norme PSA :B25 1140 et CDC RENAULT:36 05 019/--E méthode d'essai D47 1924
 -Fluide ability according to PSA standard :B25 1140 and RENAULT specification:36 05 019/--E, testing method D47 1924

CONDITIONEMENT / PACKAGING
 -Sachets hermetiques dans carton suivant norme GALIA
 -Sealed bags in box according to GALIA standard



THIS DRAWING IS A CONTROLLED DOCUMENT.		DWN 07NOV2007 L. CORONELLI	TE Connectivity									
DIMENSIONS: mm		CHK P. CHARLES			NAME							
TOLERANCES UNLESS OTHERWISE SPECIFIED:		APVD 07NOV2007 J. DAHER	PRODUCT SPEC									
<table border="1"> <tr><td>1 PLC</td><td>±</td></tr> <tr><td>2 PLC</td><td>±0.15</td></tr> <tr><td>3 PLC</td><td>±</td></tr> <tr><td>4 PLC</td><td>±</td></tr> </table>		1 PLC	±	2 PLC	±0.15	3 PLC	±	4 PLC	±	APPLICATION SPEC		SIZE
1 PLC	±											
2 PLC	±0.15											
3 PLC	±											
4 PLC	±											
MATERIAL SILICONE		WEIGHT VOIR TABLE		CAGE CODE 00779								
		CUSTOMER DRAWING		DRAWING NO C-1544316								
		SCALE 8.000		SHEET 1 OF 1								