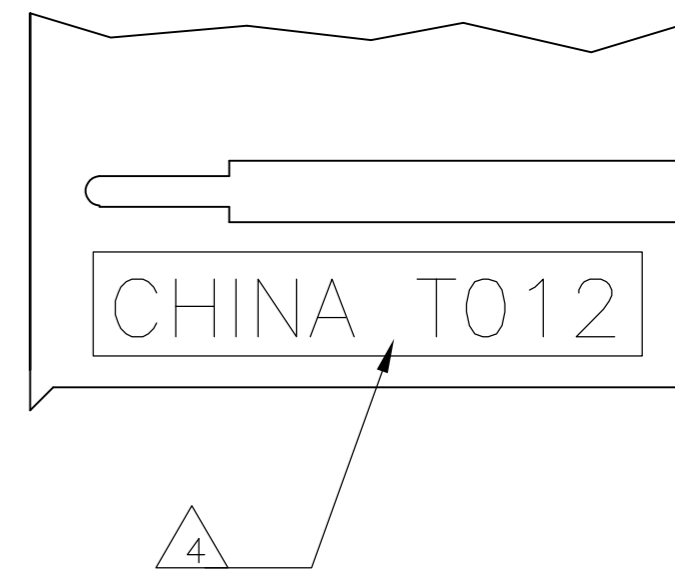
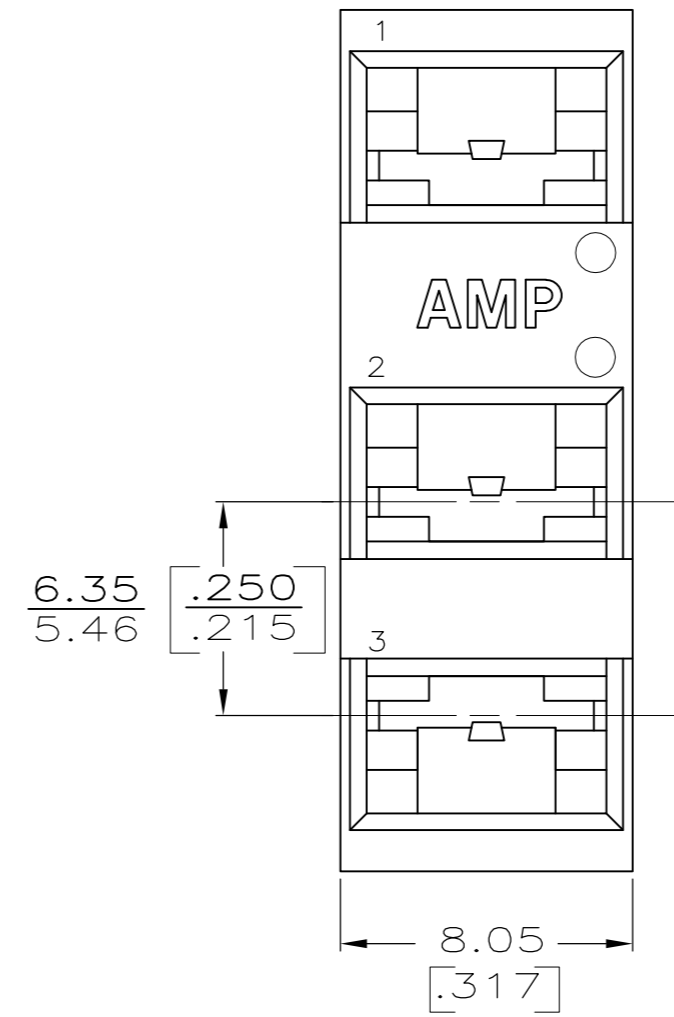
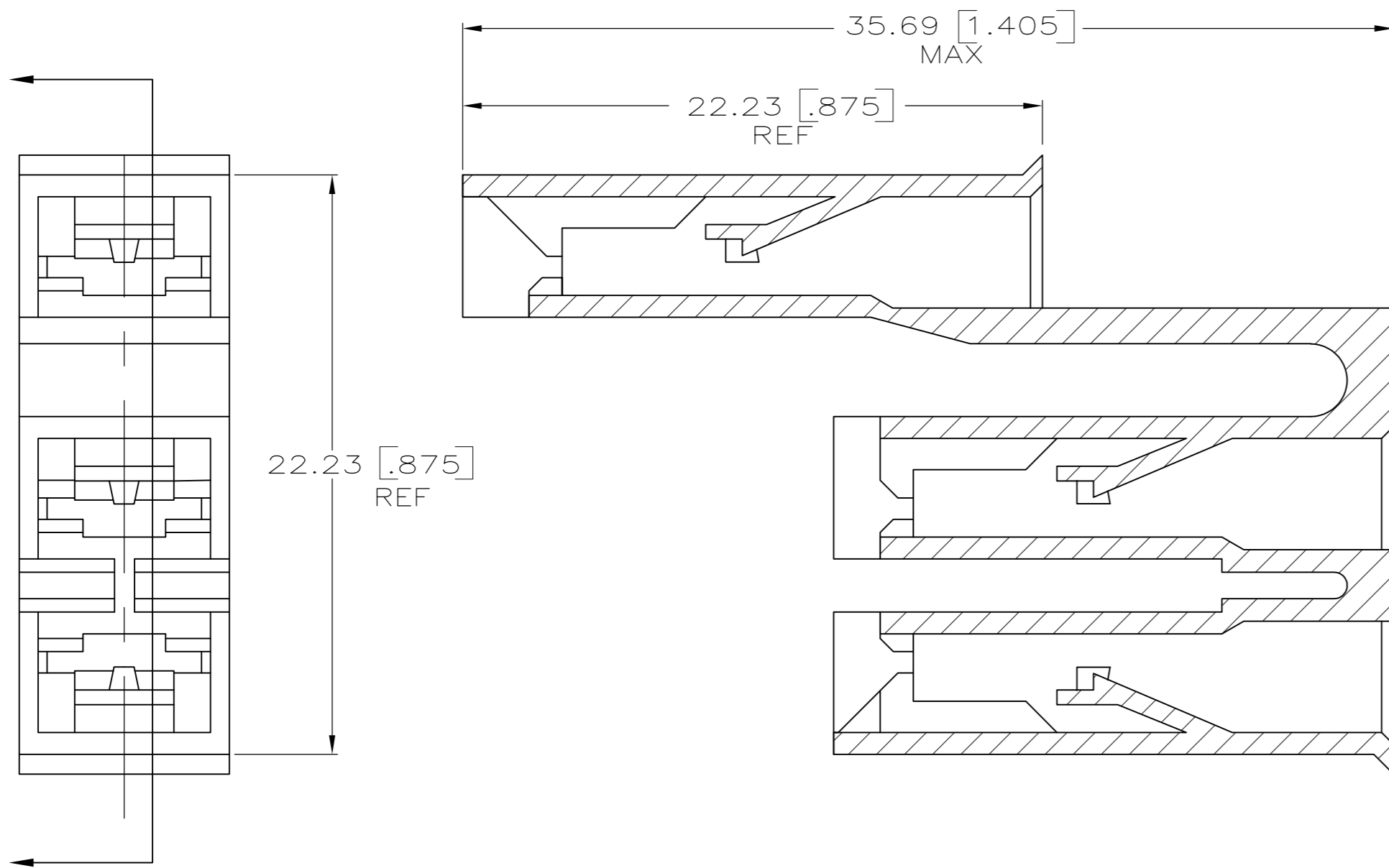


THIS DRAWING IS UNPUBLISHED. RELEASED FOR PUBLICATION
 © COPYRIGHT - By -TE ALL RIGHTS RESERVED.

REVISIONS				
P	LTR	DESCRIPTION	DATE	APVD
AB6		REVISED PER ECR-16-011982	23MAY2017	BW DH



- 1 DIMENSIONS IN BRACKETS ARE IN INCHES.
- 2 HOUSING TO BE USED WITH THE FOLLOWING TERMINALS; 42452, 42453, 42373, 42374, 42617, 60487, 60573, 60214, 60621, 61017, 61079, 61084, 61124, 61919, 60831, 62138.
- 3 3 POSITION MICRO SWITCH HOUSING TO BE USED WITH MATCHING CENTERLINE 3 POSITION MICRO SWITCHES. CONTACT TE PRODUCT ENGINEERING TO REVIEW ANY APPLICATION WHERE COMPATIBILITY IS IN QUESTION.

- △ 4 COUNTRY OF ORIGIN AND VENDOR CODE
- △ 5 PRELIMINARY - NOT FOR PRODUCTION

DISCONTINUED

OBSOLETE

FINISH	MATERIAL	PART NO
NATURAL	6/6 NYLON, V0	360010-6
NATURAL	POLYAMIDE, UL 94, V2, 130°C ACCORDING TO IEC 60335-1, GLOW WIRE	360010-5
BLACK	6/6 NYLON, V0, 150°C	360010-4
DYED RED	6/6 NYLON	360010-3
NATURAL	6/6 NYLON, V0, 120°C	360010-2
NATURAL	6/6 NYLON, V2, 130°C	360010-1

THIS DRAWING IS A CONTROLLED DOCUMENT.		DWN	JR RUTH	5/21/87	TE TE Connectivity												
DIMENSIONS: mm [INCHES]		CHK	MS FEHER	5/27/87													
TOLERANCES UNLESS OTHERWISE SPECIFIED:		APVD	C MEYERS	5/27/87													
<table border="1"> <tr><td>0 PLC</td><td>± -</td></tr> <tr><td>1 PLC</td><td>± -</td></tr> <tr><td>2 PLC</td><td>± -</td></tr> <tr><td>3 PLC</td><td>± 0.38 [.015]</td></tr> <tr><td>4 PLC</td><td>± -</td></tr> <tr><td>ANGLES</td><td>± -</td></tr> </table>		0 PLC	± -	1 PLC		± -	2 PLC	± -	3 PLC	± 0.38 [.015]	4 PLC	± -	ANGLES	± -	PRODUCT SPEC	NAME	
0 PLC	± -																
1 PLC	± -																
2 PLC	± -																
3 PLC	± 0.38 [.015]																
4 PLC	± -																
ANGLES	± -																
MATERIAL SEE TABLE		FINISH SEE TABLE	WEIGHT	0.000000													
MATERIAL SEE TABLE		FINISH SEE TABLE	WEIGHT	0.000000	SIZE	A2	CAGE CODE	00779	DRAWING NO	C=360010	RESTRICTED TO	-					
MATERIAL SEE TABLE		FINISH SEE TABLE	WEIGHT	0.000000	CUSTOMER DRAWING		SCALE	1:1	SHEET	1 of 1	REV	AB6					