



Product Change Notification



Product Group: Diodes / April 14th, 2014 / PCN-DD-007-2014 Rev.0

6 inches qualification for Schottky Products and bill of material consolidation

DESCRIPTION OF CHANGE: Vishay Semiconductors announces that the Silicon Wafer diameter used as raw material for Schottky Rectifier products will change from 5 inches (125 mm) to 6 inches (150 mm) and manufacturing process will be adapted to 6" existing lines.

TO-247's heatsink and leads thickness of the copper lead frame will change from 79 mils to 50 mils and from 24 mils to 20 mils respectively; package outline dimension will be revised accordingly. Meanwhile, Lead termination finish (process/material) for TO-247 will change from hot solder dip (Sn 99.3%, Cu 0.7%) to matte tin plating (Sn 100%). See annex.

Taking the chance of the subjected changes to be implemented in this PCN, Vishay Diodes will also launch the halogen free version materials with the -M3 and -N3 code and also the its AEC Q-101 qualified corresponding material with HM3 and HN3 code.

CLASSIFICATION OF CHANGE: Wafer/Chip/Pellet Site-Layout/Design
 Assembly Process/Structure and Lead Free Statement

REASON FOR CHANGE: Wafer fabrication process consolidation and capacity increase

EXPECTED INFLUENCE ON QUALITY/RELIABILITY/PERFORMANCE: There will be no effect on quality, reliability, or electrical performance.

PRODUCT CATEGORY: Schottky Rectifier

PART NUMBERS/SERIES/FAMILIES AFFECTED:

PACKAGE	PRODUCT	HALOGEN FREE VERSION	PRODUCT AEC Q101	ASSEMBLY PROCESS/STRUCTURE AND LEAD FREE STATEMENT
D2PAK	VS-10TQ035SPBF	VS-10TQ035S-M3	VS-10TQ035SHM3	
D2PAK	VS-10TQ035STRLPBF	VS-10TQ035STRL-M3	VS-10TQ035STRLHM3	
D2PAK	VS-10TQ035STRRPBF	VS-10TQ035STRR-M3	VS-10TQ035STRRHM3	
D2PAK	VS-10TQ045SPBF	VS-10TQ045S-M3	VS-10TQ045SHM3	
D2PAK	VS-10TQ045STRLPBF	VS-10TQ045STRL-M3	VS-10TQ045STRLHM3	
D2PAK	VS-10TQ045STRRPBF	VS-10TQ045STRR-M3	VS-10TQ045STRRHM3	
D2PAK	VS-12CTQ035SPBF	VS-12CTQ035S-M3		
D2PAK	VS-12CTQ035STRLPBF	VS-12CTQ035STRL-M3		
D2PAK	VS-12CTQ035STRRPBF	VS-12CTQ035STRR-M3		
D2PAK	VS-12CTQ045SPBF	VS-12CTQ045S-M3		
D2PAK	VS-12CTQ045STRLPBF	VS-12CTQ045STRL-M3		
D2PAK	VS-12CTQ045STRRPBF	VS-12CTQ045STRR-M3		
D2PAK	VS-12TQ035SPBF	VS-12TQ035S-M3		
D2PAK	VS-12TQ035STRLPBF	VS-12TQ035STRL-M3		
D2PAK	VS-12TQ035STRRPBF	VS-12TQ035STRR-M3		
D2PAK	VS-12TQ040SPBF	VS-12TQ040S-M3		
D2PAK	VS-12TQ040STRLPBF	VS-12TQ040STRL-M3		

Vishay Intertechnology, Inc.

Corporate Headquarters 63 Lincoln Highway, Malvern, PA 19355-2143 U.S.A. Phone (610) 644-1300 Fax (610) 296-0657 www.vishay.com

ONE OF THE WORLD'S LARGEST MANUFACTURERS OF DISCRETE SEMICONDUCTORS AND PASSIVE COMPONENT

PACKAGE	PRODUCT	HALOGEN FREE VERSION	PRODUCT AEC Q101	ASSEMBLY PROCESS/STRUCTURE AND LEAD FREE STATEMENT
D2PAK	VS-12TQ040STRRPBF	VS-12TQ040STRR-M3		
D2PAK	VS-12TQ045SPBF	VS-12TQ045S-M3		
D2PAK	VS-12TQ045STRLPBF	VS-12TQ045STRL-M3		
D2PAK	VS-12TQ045STRRPBF	VS-12TQ045STRR-M3		
D2PAK	VS-15CTQ035-1PBF	VS-15CTQ035-1-M3		
D2PAK	VS-15CTQ035SPBF	VS-15CTQ035S-M3		
D2PAK	VS-15CTQ035STRLPBF	VS-15CTQ035STRL-M3		
D2PAK	VS-15CTQ035STRRPBF	VS-15CTQ035STRR-M3		
D2PAK	VS-15CTQ040-1PBF	VS-15CTQ040-1-M3		
D2PAK	VS-15CTQ045-1PBF	VS-15CTQ045-1-M3		
D2PAK	VS-15CTQ045SPBF	VS-15CTQ045S-M3		
D2PAK	VS-15CTQ045STRLPBF	VS-15CTQ045STRL-M3		
D2PAK	VS-15CTQ045STRRPBF	VS-15CTQ045STRR-M3		
D2PAK	VS-15TQ060SPBF	VS-15TQ060S-M3		
D2PAK	VS-15TQ060STRLPBF	VS-15TQ060STRL-M3		
D2PAK	VS-15TQ060STRRPBF	VS-15TQ060STRR-M3		
D2PAK	VS-16CTQ060SPBF	VS-16CTQ060S-M3		
D2PAK	VS-16CTQ060STRLPBF	VS-16CTQ060STRL-M3		
D2PAK	VS-16CTQ060STRRPBF	VS-16CTQ060STRR-M3		
D2PAK	VS-16CTQ080SPBF	VS-16CTQ080S-M3		
D2PAK	VS-16CTQ080STRLPBF	VS-16CTQ080STRL-M3		
D2PAK	VS-16CTQ080STRRPBF	VS-16CTQ080STRR-M3		
D2PAK	VS-16CTQ100-1PBF	VS-16CTQ100-1-M3		
D2PAK	VS-16CTQ100SPBF	VS-16CTQ100S-M3		
D2PAK	VS-16CTQ100STRLPBF	VS-16CTQ100STRL-M3		
D2PAK	VS-16CTQ100STRRPBF	VS-16CTQ100STRR-M3		
D2PAK	VS-18TQ035SPBF	VS-18TQ035S-M3		
D2PAK	VS-18TQ035STRLPBF	VS-18TQ035STRL-M3		
D2PAK	VS-18TQ035STRRPBF	VS-18TQ035STRR-M3		
D2PAK	VS-18TQ045SPBF	VS-18TQ045S-M3		
D2PAK	VS-18TQ045STRLPBF	VS-18TQ045STRL-M3		
D2PAK	VS-18TQ045STRRPBF	VS-18TQ045STRR-M3		
D2PAK	VS-20CTQ035SPBF	VS-20CTQ035S-M3		
D2PAK	VS-20CTQ035STRLPBF	VS-20CTQ035STRL-M3		
D2PAK	VS-20CTQ035STRRPBF	VS-20CTQ035STRR-M3		
D2PAK	VS-20CTQ040SPBF	VS-20CTQ040S-M3		
D2PAK	VS-20CTQ040STRLPBF	VS-20CTQ040STRL-M3		
D2PAK	VS-20CTQ040STRRPBF	VS-20CTQ040STRR-M3		
D2PAK	VS-20CTQ045-1PBF	VS-20CTQ045-1-M3		
D2PAK	VS-20CTQ045SPBF	VS-20CTQ045S-M3		
D2PAK	VS-20CTQ045STRLPBF	VS-20CTQ045STRL-M3		
D2PAK	VS-20CTQ045STRRPBF	VS-20CTQ045STRR-M3		
D2PAK	VS-20TQ035SPBF	VS-20TQ035S-M3		

Vishay Intertechnology, Inc.

Corporate Headquarters 63 Lincoln Highway, Malvern, PA 19355-2143 U.S.A. Phone (610) 644-1300 Fax (610) 296-0657 www.vishay.com

ONE OF THE WORLD'S LARGEST MANUFACTURERS OF DISCRETE SEMICONDUCTORS AND PASSIVE COMPONENT

PACKAGE	PRODUCT	HALOGEN FREE VERSION	PRODUCT AEC Q101	ASSEMBLY PROCESS/STRUCTURE AND LEAD FREE STATEMENT
D2PAK	VS-20TQ035STRLPBF	VS-20TQ035STRL-M3		
D2PAK	VS-20TQ035STRRPBF	VS-20TQ035STRR-M3		
D2PAK	VS-20TQ040SPBF	VS-20TQ040S-M3		
D2PAK	VS-20TQ040STRLPBF	VS-20TQ040STRL-M3		
D2PAK	VS-20TQ040STRRPBF	VS-20TQ040STRR-M3		
D2PAK	VS-20TQ045SPBF	VS-20TQ045S-M3		
D2PAK	VS-20TQ045STRLPBF	VS-20TQ045STRL-M3		
D2PAK	VS-20TQ045STRRPBF	VS-20TQ045STRR-M3		
D2PAK	VS-25CTQ035SPBF	VS-25CTQ035S-M3		
D2PAK	VS-25CTQ035STRLPBF	VS-25CTQ035STRL-M3		
D2PAK	VS-25CTQ035STRRPBF	VS-25CTQ035STRR-M3		
D2PAK	VS-25CTQ040SPBF	VS-25CTQ040S-M3		
D2PAK	VS-25CTQ040STRLPBF	VS-25CTQ040STRL-M3		
D2PAK	VS-25CTQ040STRRPBF	VS-25CTQ040STRR-M3		
D2PAK	VS-25CTQ045SPBF	VS-25CTQ045S-M3		
D2PAK	VS-25CTQ045STRLPBF	VS-25CTQ045STRL-M3		
D2PAK	VS-25CTQ045STRRPBF	VS-25CTQ045STRR-M3		
D2PAK	VS-30CTQ035SPBF	VS-30CTQ035S-M3		
D2PAK	VS-30CTQ035STRLPBF	VS-30CTQ035STRL-M3		
D2PAK	VS-30CTQ035STRRPBF	VS-30CTQ035STRR-M3		
D2PAK	VS-30CTQ045-1PBF	VS-30CTQ045-1-M3		
D2PAK	VS-30CTQ045SPBF	VS-30CTQ045S-M3		
D2PAK	VS-30CTQ045STRLPBF	VS-30CTQ045STRL-M3		
D2PAK	VS-30CTQ045STRRPBF	VS-30CTQ045STRR-M3		
D2PAK	VS-30CTQ060-1PBF	VS-30CTQ060-1-M3		
D2PAK	VS-30CTQ060SPBF	VS-30CTQ060S-M3		
D2PAK	VS-30CTQ060STRLPBF	VS-30CTQ060STRL-M3		
D2PAK	VS-30CTQ060STRRPBF	VS-30CTQ060STRR-M3		
D2PAK	VS-30CTQ080-1PBF	VS-30CTQ080-1-M3		
D2PAK	VS-30CTQ080SPBF	VS-30CTQ080S-M3		
D2PAK	VS-30CTQ080STRLPBF	VS-30CTQ080STRL-M3		
D2PAK	VS-30CTQ080STRRPBF	VS-30CTQ080STRR-M3		
D2PAK	VS-30CTQ100-1PBF	VS-30CTQ100-1-M3		
D2PAK	VS-30CTQ100SPBF	VS-30CTQ100S-M3		
D2PAK	VS-30CTQ100STRLPBF	VS-30CTQ100STRL-M3		
D2PAK	VS-30CTQ100STRRPBF	VS-30CTQ100STRR-M3		
D2PAK	VS-32CTQ030-1PBF	VS-32CTQ030-1-M3		
D2PAK	VS-32CTQ030SPBF	VS-32CTQ030S-M3		
D2PAK	VS-32CTQ030STRLPBF	VS-32CTQ030STRL-M3		
D2PAK	VS-32CTQ030STRRPBF	VS-32CTQ030STRR-M3		
D2PAK	VS-40CTQ045-1PBF	VS-40CTQ045-1-M3		
D2PAK	VS-40CTQ045SPBF	VS-40CTQ045S-M3		
D2PAK	VS-40CTQ045STRLPBF	VS-40CTQ045STRL-M3		

Vishay Intertechnology, Inc.

Corporate Headquarters 63 Lincoln Highway, Malvern, PA 19355-2143 U.S.A. Phone (610) 644-1300 Fax (610) 296-0657 www.vishay.com

ONE OF THE WORLD'S LARGEST MANUFACTURERS OF DISCRETE SEMICONDUCTORS AND PASSIVE COMPONENT

PACKAGE	PRODUCT	HALOGEN FREE VERSION	PRODUCT AEC Q101	ASSEMBLY PROCESS/STRUCTURE AND LEAD FREE STATEMENT
D2PAK	VS-40CTQ045STRRPBF	VS-40CTQ045STRR-M3		
D2PAK	VS-42CTQ030-1PBF	VS-42CTQ030-1-M3	VS-42CTQ030S-1HM3	
D2PAK	VS-42CTQ030SPBF	VS-42CTQ030S-M3	VS-42CTQ030SHM3	
D2PAK	VS-42CTQ030STRLPBF	VS-42CTQ030STRL-M3	VS-42CTQ030STRLHM3	
D2PAK	VS-42CTQ030STRRPBF	VS-42CTQ030STRR-M3	VS-42CTQ030STRRHM3	
D2PAK	VS-43CTQ100-1-011P			
D2PAK	VS-43CTQ100-1PBF	VS-43CTQ100-1-M3	VS-43CTQ100-1HM3	
D2PAK	VS-43CTQ100SPBF	VS-43CTQ100S-M3	VS-43CTQ100SHM3	
D2PAK	VS-43CTQ100STRLPBF	VS-43CTQ100STRL-M3	VS-43CTQ100STRLHM3	
D2PAK	VS-43CTQ100STRRPBF	VS-43CTQ100STRR-M3	VS-43CTQ100STRRHM3	
D2PAK	VS-47CTQ020-1PBF	VS-47CTQ020-1-M3		
D2PAK	VS-47CTQ020SPBF	VS-47CTQ020S-M3		
D2PAK	VS-47CTQ020STRLPBF	VS-47CTQ020STRL-M3		
D2PAK	VS-47CTQ020STRRPBF	VS-47CTQ020STRR-M3		
D2PAK	VS-48CTQ060-1PBF	VS-48CTQ060-1-M3		
D2PAK	VS-48CTQ060SPBF	VS-48CTQ060S-M3		
D2PAK	VS-48CTQ060STRLPBF	VS-48CTQ060STRL-M3		
D2PAK	VS-48CTQ060STRRPBF	VS-48CTQ060STRR-M3		
D2PAK	VS-6TQ035SPBF	VS-6TQ035S-M3		
D2PAK	VS-6TQ035STRLPBF	VS-6TQ035STRL-M3		
D2PAK	VS-6TQ035STRRPBF	VS-6TQ035STRR-M3		
D2PAK	VS-6TQ040SPBF	VS-6TQ040S-M3		
D2PAK	VS-6TQ040STRLPBF	VS-6TQ040STRL-M3		
D2PAK	VS-6TQ040STRRPBF	VS-6TQ040STRR-M3		
D2PAK	VS-6TQ045SPBF	VS-6TQ045S-M3		
D2PAK	VS-6TQ045STRLPBF	VS-6TQ045STRL-M3		
D2PAK	VS-6TQ045STRRPBF	VS-6TQ045STRR-M3		
D2PAK	VS-8TQ080SPBF	VS-8TQ080S-M3	VS-8TQ080SHM3	
D2PAK	VS-8TQ080STRLPBF	VS-8TQ080STRL-M3	VS-8TQ080STRLHM3	
D2PAK	VS-8TQ080STRRPBF	VS-8TQ080STRR-M3	VS-8TQ080STRRHM3	
D2PAK	VS-8TQ100SPBF	VS-8TQ100S-M3	VS-8TQ100SHM3	
D2PAK	VS-8TQ100STRLPBF	VS-8TQ100STRL-M3	VS-8TQ100STRLHM3	
D2PAK	VS-8TQ100STRRPBF	VS-8TQ100STRR-M3	VS-8TQ100STRRHM3	
D2PAK		VS-95-0294PBF		
D2PAK		VS-95-5246PBF		
D2PAK		VS-95-5314PBF		
D2PAK		VS-95-5412PBF		
D2PAK		VS-95-9826PBF		
D2PAK		VS-95-9827PBF		
D2PAK		VS-95-9870PBF		
D2PAK		VS-95-9928PBF		
D2PAK		VS-95-9929PBF		
D2PAK		VS-95-9969PBF		

Vishay Intertechnology, Inc.

Corporate Headquarters 63 Lincoln Highway, Malvern, PA 19355-2143 U.S.A. Phone (610) 644-1300 Fax (610) 296-0657 www.vishay.com

ONE OF THE WORLD'S LARGEST MANUFACTURERS OF DISCRETE SEMICONDUCTORS AND PASSIVE COMPONENT

PACKAGE	PRODUCT	HALOGEN FREE VERSION	PRODUCT AEC Q101	ASSEMBLY PROCESS/STRUCTURE AND LEAD FREE STATEMENT
D2PAK		VS-95-9971PBF		
D2PAK		VS-95-9989PBF		
D2PAK		VS-96-1037PBF		
D2PAK		VS-96-1039PBF	VS-10TQ045STRRH3	
D2PAK		VS-96-1041PBF		
D2PAK		VS-96-1043PBF		
D2PAK		VS-96-1087PBF		
D2PAK		VS-96-1212PBF		
D2PAK	VS-MBR1535CT-1PBF	VS-MBR1535CT-1-M3		
D2PAK	VS-MBR1545CT-1PBF	VS-MBR1545CT-1-M3		
D2PAK	VS-MBR20100CT-1PBF	VS-MBR20100CT-1-M3		
D2PAK	VS-MBR2035CT-1PBF	VS-MBR2035CT-1-M3		
D2PAK	VS-MBR2045CT-1PBF	VS-MBR2045CT-1-M3		
D2PAK	VS-MBR2080CT-1PBF	VS-MBR2080CT-1-M3		
D2PAK	VS-MBR2090CT-1PBF	VS-MBR2090CT-1-M3		
D2PAK	VS-MBR2535CT-1PBF	VS-MBR2535CT-1-M3		
D2PAK	VS-MBR2545CT-1PBF	VS-MBR2545CT-1-M3		
D2PAK	VS-MBR3045CT-1PBF	VS-MBR3045CT-1-M3		
D2PAK	VS-MBR4045CT-1PBF	VS-MBR4045CT-1-M3		
D2PAK	VS-MBRB1035PBF	VS-MBRB1035-M3		
D2PAK	VS-MBRB1035TRLPBF	VS-MBRB1035TRL-M3		
D2PAK	VS-MBRB1035TRRPBF	VS-MBRB1035TRR-M3		
D2PAK	VS-MBRB1045PBF	VS-MBRB1045-M3		
D2PAK	VS-MBRB1045TRLPBF	VS-MBRB1045TRL-M3		
D2PAK	VS-MBRB1045TRRPBF	VS-MBRB1045TRR-M3		
D2PAK	VS-MBRB1535CTPBF	VS-MBRB1535CT-M3		
D2PAK	VS-MBRB1535CTTRLP	VS-MBRB1535CTL-M3		
D2PAK	VS-MBRB1535CTTRRP	VS-MBRB1535CTR-M3		
D2PAK	VS-MBRB1545CTPBF	VS-MBRB1545CT-M3		
D2PAK	VS-MBRB1545CTTRLP	VS-MBRB1545CTL-M3		
D2PAK	VS-MBRB1545CTTRRP	VS-MBRB1545CTR-M3		
D2PAK	VS-MBRB1635PBF	VS-MBRB1635-M3		
D2PAK	VS-MBRB1635TRLPBF	VS-MBRB1635TRL-M3		
D2PAK	VS-MBRB1635TRRPBF	VS-MBRB1635TRR-M3		
D2PAK	VS-MBRB1645PBF	VS-MBRB1645-M3		
D2PAK	VS-MBRB1645TRLPBF	VS-MBRB1645TRL-M3		
D2PAK	VS-MBRB1645TRRPBF	VS-MBRB1645TRR-M3		
D2PAK	VS-MBRB20100CTPBF	VS-MBRB20100CT-M3		
D2PAK	VS-MBRB20100CTTRLP	VS-MBRB20100CTL-M3		
D2PAK	VS-MBRB20100CTTRRP	VS-MBRB20100CTR-M3		
D2PAK	VS-MBRB2035CTPBF	VS-MBRB2035CT-M3		
D2PAK	VS-MBRB2045CTPBF	VS-MBRB2045CT-M3		
D2PAK	VS-MBRB2045CTTRLP	VS-MBRB2045CTL-M3		

Vishay Intertechnology, Inc.

Corporate Headquarters 63 Lincoln Highway, Malvern, PA 19355-2143 U.S.A. Phone (610) 644-1300 Fax (610) 296-0657 www.vishay.com

ONE OF THE WORLD'S LARGEST MANUFACTURERS OF DISCRETE SEMICONDUCTORS AND PASSIVE COMPONENT

PACKAGE	PRODUCT	HALOGEN FREE VERSION	PRODUCT AEC Q101	ASSEMBLY PROCESS/STRUCTURE AND LEAD FREE STATEMENT
D2PAK	VS-MBRB2045CTTRRP	VS-MBRB2045CTR-M3		
D2PAK	VS-MBRB2080CTPBF	VS-MBRB2080CT-M3		
D2PAK	VS-MBRB2080CTTRLP	VS-MBRB2080CTL-M3		
D2PAK	VS-MBRB2080CTTRRP	VS-MBRB2080CTR-M3		
D2PAK	VS-MBRB2090CTPBF	VS-MBRB2090CT-M3		
D2PAK	VS-MBRB2535CTPBF	VS-MBRB2535CT-M3		
D2PAK	VS-MBRB2535CTTRLP	VS-MBRB2535CTL-M3		
D2PAK	VS-MBRB2535CTTRRP	VS-MBRB2535CTR-M3		
D2PAK	VS-MBRB2545CTPBF	VS-MBRB2545CT-M3		
D2PAK	VS-MBRB2545CTTRLP	VS-MBRB2545CTL-M3		
D2PAK	VS-MBRB2545CTTRRP	VS-MBRB2545CTR-M3		
D2PAK	VS-MBRB3030CTLPBF	VS-MBRB3030CTL-M3		
D2PAK	VS-MBRB3030CTLTRLP	VS-MBRB3030CTLL-M3		
D2PAK	VS-MBRB3030CTLTRRP	VS-MBRB3030CTLR-M3		
D2PAK	VS-MBRB3045CTPBF	VS-MBRB3045CT-M3		
D2PAK	VS-MBRB3045CTTRLP	VS-MBRB3045CTL-M3		
D2PAK	VS-MBRB3045CTTRRP	VS-MBRB3045CTR-M3		
D2PAK	VS-MBRB4045CTPBF	VS-MBRB4045CT-M3	VS-MBRB4045CTHM3	
D2PAK	VS-MBRB4045CTTRLP	VS-MBRB4045CTL-M3	VS-MBRB4045CTLHM3	
D2PAK	VS-MBRB4045CTTRRP	VS-MBRB4045CTR-M3	VS-MBRB4045CTRHM3	
D2PAK	VS-MBRB735PBF	VS-MBRB735-M3		
D2PAK	VS-MBRB735TRLPBF	VS-MBRB735TRL-M3		
D2PAK	VS-MBRB735TRRPBF	VS-MBRB735TRR-M3		
D2PAK	VS-MBRB745PBF	VS-MBRB745-M3		
D2PAK	VS-MBRB745TRLPBF	VS-MBRB745TRL-M3		
D2PAK	VS-MBRB745TRRPBF	VS-MBRB745TRR-M3		
D-PAK	VS-10WQ045FNPF	VS-10WQ045FN-M3	VS-10WQ045FNHM3	
D-PAK	VS-10WQ045FNTRLPBF	VS-10WQ045FNTRL-M3	VS-10WQ045FNTRHM3	
D-PAK	VS-10WQ045FNTRPBF	VS-10WQ045FNTR-M3	VS-10WQ045FNTRLHM3	
D-PAK	VS-10WQ045FNTRRPBF	VS-10WQ045FNTRR-M3	VS-10WQ045FNTRRH3	
D-PAK	VS-12CWQ03FNPF	VS-12CWQ03FN-M3		
D-PAK	VS-12CWQ03FNTRLPBF	VS-12CWQ03FNTRL-M3		
D-PAK	VS-12CWQ03FNTRPBF	VS-12CWQ03FNTR-M3		
D-PAK	VS-12CWQ03FNTRRPBF	VS-12CWQ03FNTRR-M3		
D-PAK	VS-12CWQ04FNPF	VS-12CWQ04FN-M3	VS-12CWQ04FNHM3	
D-PAK	VS-12CWQ04FNTRLPBF	VS-12CWQ04FNTRL-M3	VS-12CWQ04FNTRHM3	
D-PAK	VS-12CWQ04FNTRPBF	VS-12CWQ04FNTR-M3	VS-12CWQ04FNTRLHM3	
D-PAK	VS-12CWQ04FNTRRPBF	VS-12CWQ04FNTRR-M3	VS-12CWQ04FNTRRH3	
D-PAK	VS-12CWQ06FNPF	VS-12CWQ06FN-M3	VS-12CWQ06FNHM3	
D-PAK	VS-12CWQ06FNTRLPBF	VS-12CWQ06FNTRL-M3	VS-12CWQ06FNTRHM3	
D-PAK	VS-12CWQ06FNTRPBF	VS-12CWQ06FNTR-M3	VS-12CWQ06FNTRLHM3	
D-PAK	VS-12CWQ06FNTRRPBF	VS-12CWQ06FNTRR-M3	VS-12CWQ06FNTRRH3	
D-PAK	VS-12CWQ10FNPF	VS-12CWQ10FN-M3	VS-12CWQ10FNHM3	

Vishay Intertechnology, Inc.

Corporate Headquarters 63 Lincoln Highway, Malvern, PA 19355-2143 U.S.A. Phone (610) 644-1300 Fax (610) 296-0657 www.vishay.com

ONE OF THE WORLD'S LARGEST MANUFACTURERS OF DISCRETE SEMICONDUCTORS AND PASSIVE COMPONENT

PACKAGE	PRODUCT	HALOGEN FREE VERSION	PRODUCT AEC Q101	ASSEMBLY PROCESS/STRUCTURE AND LEAD FREE STATEMENT
D-PAK	VS-12CWQ10FNTRLPBF	VS-12CWQ10FNTRL-M3	VS-12CWQ10FNTRHM3	
D-PAK	VS-12CWQ10FNTRPBF	VS-12CWQ10FNTR-M3	VS-12CWQ10FNTRLHM3	
D-PAK	VS-12CWQ10FNTRRPBF	VS-12CWQ10FNTRR-M3	VS-12CWQ10FNTRRHM3	
D-PAK	VS-30WQ03FNPBF	VS-30WQ03FN-M3		
D-PAK	VS-30WQ03FNTRLPBF	VS-30WQ03FNTRL-M3		
D-PAK	VS-30WQ03FNTRPBF	VS-30WQ03FNTR-M3		
D-PAK	VS-30WQ03FNTRRPBF	VS-30WQ03FNTRR-M3		
D-PAK	VS-30WQ04FNPBF	VS-30WQ04FN-M3	VS-30WQ04FNHM3	
D-PAK	VS-30WQ04FNTRLPBF	VS-30WQ04FNTRL-M3	VS-30WQ04FNTRHM3	
D-PAK	VS-30WQ04FNTRPBF	VS-30WQ04FNTR-M3	VS-30WQ04FNTRLHM3	
D-PAK	VS-30WQ04FNTRRPBF	VS-30WQ04FNTRR-M3	VS-30WQ04FNTRRHM3	
D-PAK	VS-30WQ06FNPBF	VS-30WQ06FN-M3	VS-30WQ06FNHM3	
D-PAK	VS-30WQ06FNTRLPBF	VS-30WQ06FNTRL-M3	VS-30WQ06FNTRHM3	
D-PAK	VS-30WQ06FNTRPBF	VS-30WQ06FNTR-M3	VS-30WQ06FNTRLHM3	
D-PAK	VS-30WQ06FNTRRPBF	VS-30WQ06FNTRR-M3	VS-30WQ06FNTRRHM3	
D-PAK	VS-30WQ10FNPBF	VS-30WQ10FN-M3	VS-30WQ10FNHM3	
D-PAK	VS-30WQ10FNTRLPBF	VS-30WQ10FNTRL-M3	VS-30WQ10FNTRHM3	
D-PAK	VS-30WQ10FNTRPBF	VS-30WQ10FNTR-M3	VS-30WQ10FNTRLHM3	
D-PAK	VS-30WQ10FNTRRPBF	VS-30WQ10FNTRR-M3	VS-30WQ10FNTRRHM3	
D-PAK	VS-50WQ03FNPBF	VS-50WQ03FN-M3		
D-PAK	VS-50WQ03FNTRLPBF	VS-50WQ03FNTRL-M3		
D-PAK	VS-50WQ03FNTRPBF	VS-50WQ03FNTR-M3		
D-PAK	VS-50WQ03FNTRRPBF	VS-50WQ03FNTRR-M3		
D-PAK	VS-50WQ04FNPBF	VS-50WQ04FN-M3	VS-50WQ04FNHM3	
D-PAK	VS-50WQ04FNTRLPBF	VS-50WQ04FNTRL-M3	VS-50WQ04FNTRHM3	
D-PAK	VS-50WQ04FNTRPBF	VS-50WQ04FNTR-M3	VS-50WQ04FNTRLHM3	
D-PAK	VS-50WQ04FNTRRPBF	VS-50WQ04FNTRR-M3	VS-50WQ04FNTRRHM3	
D-PAK	VS-50WQ06FNPBF	VS-50WQ06FN-M3	VS-50WQ06FNHM3	
D-PAK	VS-50WQ06FNTRLPBF	VS-50WQ06FNTRL-M3	VS-50WQ06FNTRHM3	
D-PAK	VS-50WQ06FNTRPBF	VS-50WQ06FNTR-M3	VS-50WQ06FNTRLHM3	
D-PAK	VS-50WQ06FNTRRPBF	VS-50WQ06FNTRR-M3	VS-50WQ06FNTRRHM3	
D-PAK	VS-50WQ10FNPBF	VS-50WQ10FN-M3	VS-50WQ10FNHM3	
D-PAK	VS-50WQ10FNTRLPBF	VS-50WQ10FNTRL-M3	VS-50WQ10FNTRHM3	
D-PAK	VS-50WQ10FNTRPBF	VS-50WQ10FNTR-M3	VS-50WQ10FNTRLHM3	
D-PAK	VS-50WQ10FNTRRPBF	VS-50WQ10FNTRR-M3	VS-50WQ10FNTRRHM3	
D-PAK	VS-6CWQ03FNPBF	VS-6CWQ03FN-M3		
D-PAK	VS-6CWQ03FNTRLPBF	VS-6CWQ03FNTRL-M3		
D-PAK	VS-6CWQ03FNTRPBF	VS-6CWQ03FNTR-M3		
D-PAK	VS-6CWQ03FNTRRPBF	VS-6CWQ03FNTRR-M3		
D-PAK	VS-6CWQ04FNPBF	VS-6CWQ04FN-M3	VS-6CWQ04FNHM3	
D-PAK	VS-6CWQ04FNTRLPBF	VS-6CWQ04FNTRL-M3	VS-6CWQ04FNTRHM3	
D-PAK	VS-6CWQ04FNTRPBF	VS-6CWQ04FNTR-M3	VS-6CWQ04FNTRLHM3	
D-PAK	VS-6CWQ04FNTRRPBF	VS-6CWQ04FNTRR-M3	VS-6CWQ04FNTRRHM3	

Vishay Intertechnology, Inc.

Corporate Headquarters 63 Lincoln Highway, Malvern, PA 19355-2143 U.S.A. Phone (610) 644-1300 Fax (610) 296-0657 www.vishay.com

ONE OF THE WORLD'S LARGEST MANUFACTURERS OF DISCRETE SEMICONDUCTORS AND PASSIVE COMPONENT

PACKAGE	PRODUCT	HALOGEN FREE VERSION	PRODUCT AEC Q101	ASSEMBLY PROCESS/STRUCTURE AND LEAD FREE STATEMENT
D-PAK	VS-6CWQ06FNPBF	VS-6CWQ06FN-M3	VS-6CWQ06FNHM3	
D-PAK	VS-6CWQ06FNTRLPBF	VS-6CWQ06FNTRL-M3	VS-6CWQ06FNTRHM3	
D-PAK	VS-6CWQ06FNTRPBF	VS-6CWQ06FNTR-M3	VS-6CWQ06FNTRLHM3	
D-PAK	VS-6CWQ06FNTRRPBF	VS-6CWQ06FNTRR-M3	VS-6CWQ06FNTRRHM3	
D-PAK	VS-6CWQ10FNPBF	VS-6CWQ10FN-M3	VS-6CWQ10FNHM3	
D-PAK	VS-6CWQ10FNTRLPBF	VS-6CWQ10FNTRL-M3	VS-6CWQ10FNTRHM3	
D-PAK	VS-6CWQ10FNTRPBF	VS-6CWQ10FNTR-M3	VS-6CWQ10FNTRLHM3	
D-PAK	VS-6CWQ10FNTRRPBF	VS-6CWQ10FNTRR-M3	VS-6CWQ10FNTRRHM3	
D-PAK	VS-95-9817PBF			
D-PAK	VS-95-9829PBF			
D-PAK	VS-95-9867PBF			
D-PAK	VS-95-9868PBF			
D-PAK	VS-95-9898PBF			
D-PAK	VS-95-9964PBF			
D-PAK	VS-95-9965PBF			
D-PAK	VS-96-1007PBF			
D-PAK	VS-96-1042PBF			
D-PAK	VS-96-1060PBF			
D-PAK	VS-96-1080PBF			
D-PAK	VS-96-1081PBF			
D-PAK	VS-96-1082PBF			
D-PAK	VS-96-1085PBF			
D-PAK	VS-96-1089PBF			
D-PAK	VS-96-1096PBF			
D-PAK	VS-96-1097PBF			
D-PAK	VS-96-1099PBF			
D-PAK	VS-96-1204PBF			
D-PAK	VS-MBRD320PBF	VS-MBRD320-M3		
D-PAK	VS-MBRD320TRLPBF	VS-MBRD320TRL-M3		
D-PAK	VS-MBRD320TRPBF	VS-MBRD320TR-M3		
D-PAK	VS-MBRD320TRRPBF	VS-MBRD320TRR-M3		
D-PAK	VS-MBRD330PBF	VS-MBRD330-M3		
D-PAK	VS-MBRD330TRLPBF	VS-MBRD330TRL-M3		
D-PAK	VS-MBRD330TRPBF	VS-MBRD330TR-M3		
D-PAK	VS-MBRD330TRRPBF	VS-MBRD330TRR-M3		
D-PAK	VS-MBRD340PBF	VS-MBRD340-M3		
D-PAK	VS-MBRD340TRLPBF	VS-MBRD340TRL-M3		
D-PAK	VS-MBRD340TRPBF	VS-MBRD340TR-M3		
D-PAK	VS-MBRD340TRRPBF	VS-MBRD340TRR-M3		
D-PAK	VS-MBRD650CTPBF	VS-MBRD650CT-M3		
D-PAK	VS-MBRD650CTTRLPBF	VS-MBRD650CTTRL-M3		
D-PAK	VS-MBRD650CTTRPBF	VS-MBRD650CTTR-M3		
D-PAK	VS-MBRD650CTTRRPBF	VS-MBRD650CTTRR-M3		

Vishay Intertechnology, Inc.

Corporate Headquarters 63 Lincoln Highway, Malvern, PA 19355-2143 U.S.A. Phone (610) 644-1300 Fax (610) 296-0657 www.vishay.com

ONE OF THE WORLD'S LARGEST MANUFACTURERS OF DISCRETE SEMICONDUCTORS AND PASSIVE COMPONENT

PACKAGE	PRODUCT	HALOGEN FREE VERSION	PRODUCT AEC Q101	ASSEMBLY PROCESS/STRUCTURE AND LEAD FREE STATEMENT
D-PAK	VS-MBRD660CTPBF	VS-MBRD660CT-M3		
D-PAK	VS-MBRD660CTTRLPBF	VS-MBRD660CTTRL-M3		
D-PAK	VS-MBRD660CTTRPBF	VS-MBRD660CTTR-M3		
D-PAK	VS-MBRD660CTTRRPBF	VS-MBRD660CTTRR-M3		
D-PAK	VS-STPS1045BPBF	VS-STPS1045B-M3		
D-PAK	VS-STPS1045BTRLPBF	VS-STPS1045BTRL-M3		
D-PAK	VS-STPS1045BTRPBF	VS-STPS1045BTR-M3		
D-PAK	VS-STPS1045BTRRPBF	VS-STPS1045BTRR-M3		
Powertab	VS-100BGQ030		VS-100BGQ030HF4	
Powertab	VS-100BGQ045		VS-100BGQ045HF4	
Powertab	VS-100BGQ100		VS-100BGQ100HF4	
Powertab	VS-175BGQ030		VS-175BGQ030HF4	
Powertab	VS-175BGQ045		VS-175BGQ045HF4	
TO-220	VS-10TQ035PBF	VS-10TQ035-N3		
TO-220	VS-10TQ040PBF	VS-10TQ040-N3		
TO-220	VS-10TQ045PBF	VS-10TQ045-N3		
TO-220	VS-12CTQ035PBF	VS-12CTQ035-N3		
TO-220	VS-12CTQ040PBF	VS-12CTQ040-N3		
TO-220	VS-12CTQ045PBF	VS-12CTQ045-N3		
TO-220	VS-12TQ035PBF	VS-12TQ035-N3		
TO-220	VS-12TQ040PBF	VS-12TQ040-N3		
TO-220	VS-12TQ045PBF	VS-12TQ045-N3		
TO-220	VS-15CTQ035PBF	VS-15CTQ035-N3		
TO-220	VS-15CTQ040PBF	VS-15CTQ040-N3		
TO-220	VS-15CTQ045PBF	VS-15CTQ045-N3		
TO-220	VS-15TQ060PBF	VS-15TQ060-N3		
TO-220	VS-16CTQ060PBF	VS-16CTQ060-N3	VS-16CTQ060HN3	
TO-220	VS-16CTQ080PBF	VS-16CTQ080-N3	VS-16CTQ080HN3	
TO-220	VS-16CTQ100PBF	VS-16CTQ100-N3	VS-16CTQ100HN3	
TO-220	VS-18TQ035PBF	VS-18TQ035-N3	VS-18TQ035HN3	
TO-220	VS-18TQ040PBF	VS-18TQ040-N3	VS-18TQ040HN3	
TO-220	VS-18TQ045PBF	VS-18TQ045-N3	VS-18TQ045HN3	
TO-220	VS-20CTQ035PBF	VS-20CTQ035-N3	VS-20CTQ035HN3	
TO-220	VS-20CTQ040PBF	VS-20CTQ040-N3	VS-20CTQ040HN3	
TO-220	VS-20CTQ045PBF	VS-20CTQ045-N3	VS-20CTQ045HN3	
TO-220	VS-20TQ035PBF	VS-20TQ035-N3		
TO-220	VS-20TQ040PBF	VS-20TQ040-N3		
TO-220	VS-20TQ045PBF	VS-20TQ045-N3		
TO-220	VS-25CTQ035PBF	VS-25CTQ035-N3		
TO-220	VS-25CTQ040PBF	VS-25CTQ040-N3		
TO-220	VS-25CTQ045PBF	VS-25CTQ045-N3		
TO-220	VS-30CTQ035PBF	VS-30CTQ035-N3	VS-30CTQ035HN3	
TO-220	VS-30CTQ040PBF	VS-30CTQ040-N3	VS-30CTQ040HN3	

Vishay Intertechnology, Inc.

Corporate Headquarters 63 Lincoln Highway, Malvern, PA 19355-2143 U.S.A. Phone (610) 644-1300 Fax (610) 296-0657 www.vishay.com

ONE OF THE WORLD'S LARGEST MANUFACTURERS OF DISCRETE SEMICONDUCTORS AND PASSIVE COMPONENT

PACKAGE	PRODUCT	HALOGEN FREE VERSION	PRODUCT AEC Q101	ASSEMBLY PROCESS/STRUCTURE AND LEAD FREE STATEMENT
TO-220	VS-30CTQ045PBF	VS-30CTQ045-N3	VS-30CTQ045HN3	
TO-220	VS-30CTQ050PBF	VS-30CTQ050-N3		
TO-220	VS-30CTQ060PBF	VS-30CTQ060-N3		
TO-220	VS-30CTQ080PBF	VS-30CTQ080-N3		
TO-220	VS-30CTQ100PBF	VS-30CTQ100-N3		
TO-220	VS-32CTQ025PBF	VS-32CTQ025-N3		
TO-220	VS-32CTQ030PBF	VS-32CTQ030-N3		
TO-220	VS-40CTQ045PBF	VS-40CTQ045-N3		
TO-220	VS-42CTQ030PBF	VS-42CTQ030-N3		
TO-220	VS-43CTQ100-011PBF	VS-43CTQ100-011-N3	VS-43CTQ100-011HN3	
TO-220	VS-43CTQ100PBF	VS-43CTQ100-N3	VS-43CTQ100HN3	
TO-220	VS-47CTQ020PBF	VS-47CTQ020-N3		
TO-220	VS-48CTQ060PBF	VS-48CTQ060-N3		
TO-220	VS-60CTQ035PBF	VS-60CTQ035-N3		
TO-220	VS-60CTQ040PBF	VS-60CTQ040-N3		
TO-220	VS-60CTQ045PBF	VS-60CTQ045-N3		
TO-220	VS-61CTQ035PBF	VS-61CTQ035-N3		
TO-220	VS-61CTQ040PBF	VS-61CTQ040-N3		
TO-220	VS-61CTQ045PBF	VS-61CTQ045-N3		
TO-220	VS-62CTQ030PBF	VS-62CTQ030-N3		
TO-220	VS-63CTQ100PBF	VS-63CTQ100-N3		
TO-220	VS-6TQ035PBF	VS-6TQ035-N3	VS-6TQ035HN3	
TO-220	VS-6TQ040PBF	VS-6TQ040-N3	VS-6TQ040HN3	
TO-220	VS-6TQ045PBF	VS-6TQ045-N3	VS-6TQ045HN3	
TO-220	VS-8TQ060PBF	VS-8TQ060-N3		
TO-220	VS-8TQ080PBF	VS-8TQ080-N3		
TO-220	VS-8TQ100PBF	VS-8TQ100-N3		
TO-220	VS-95-0298PBF			
TO-220	VS-95-4685PBF			
TO-220	VS-95-5143PBF			
TO-220	VS-95-5164PBF			
TO-220	VS-95-9877PBF			
TO-220	VS-95-9878PBF			
TO-220	VS-95-9974PBF		VS-6TQ035HN3	
TO-220	VS-95-9975PBF		VS-30CTQ045HN3	
TO-220	VS-95-9976PBF		VS-MBR2045CTHN3	
TO-220	VS-95-9982PBF			
TO-220	VS-96-1203PBF			
TO-220	VS-96-1205PBF			
TO-220	VS-MBR1035PBF	VS-MBR1035-N3		
TO-220	VS-MBR1045PBF	VS-MBR1045-N3		
TO-220	VS-MBR1535CTPBF	VS-MBR1535CT-N3		
TO-220	VS-MBR1545CTPBF	VS-MBR1545CT-N3		

Vishay Intertechnology, Inc.

Corporate Headquarters 63 Lincoln Highway, Malvern, PA 19355-2143 U.S.A. Phone (610) 644-1300 Fax (610) 296-0657 www.vishay.com

ONE OF THE WORLD'S LARGEST MANUFACTURERS OF DISCRETE SEMICONDUCTORS AND PASSIVE COMPONENT

PACKAGE	PRODUCT	HALOGEN FREE VERSION	PRODUCT AEC Q101	ASSEMBLY PROCESS/STRUCTURE AND LEAD FREE STATEMENT
TO-220	VS-MBR1635PBF	VS-MBR1635-N3		
TO-220	VS-MBR1645PBF	VS-MBR1645-N3		
TO-220	VS-MBR2035CTPBF	VS-MBR2035CT-N3	VS-MBR2035CTHN3	
TO-220	VS-MBR2045CTPBF	VS-MBR2045CT-N3	VS-MBR2045CTHN3	
TO-220	VS-MBR2535CTPBF	VS-MBR2535CT-N3		
TO-220	VS-MBR2545CTPBF	VS-MBR2545CT-N3		
TO-220	VS-MBR3045CTPBF	VS-MBR3045CT-N3		
TO-220	VS-MBR4045CTPBF	VS-MBR4045CT-N3		
TO-220	VS-MBR735PBF	VS-MBR735-N3		
TO-220	VS-MBR745PBF	VS-MBR745-N3		
TO-247	VS-30CPQ035PBF	VS-30CPQ035-N3		50mil L/F + Bare copper L/F + Plating line
TO-247	VS-30CPQ040PBF	VS-30CPQ040-N3		50mil L/F + Bare copper L/F + Plating line
TO-247	VS-30CPQ045PBF	VS-30CPQ045-N3		50mil L/F + Bare copper L/F + Plating line
TO-247	VS-30CPQ050PBF	VS-30CPQ050-N3		50mil L/F + Bare copper L/F + Plating line
TO-247	VS-30CPQ060PBF	VS-30CPQ060-N3		50mil L/F + Bare copper L/F + Plating line
TO-247	VS-30CPQ080PBF	VS-30CPQ080-N3		50mil L/F + Bare copper L/F + Plating line
TO-247	VS-30CPQ090PBF	VS-30CPQ090-N3		50mil L/F + Bare copper L/F + Plating line
TO-247	VS-30CPQ100PBF	VS-30CPQ100-N3		50mil L/F + Bare copper L/F + Plating line
TO-247	VS-40CPQ035PBF	VS-40CPQ035-N3		50mil L/F + Bare copper L/F + Plating line
TO-247	VS-40CPQ040PBF	VS-40CPQ040-N3		50mil L/F + Bare copper L/F + Plating line
TO-247	VS-40CPQ045PBF	VS-40CPQ045-N3		50mil L/F + Bare copper L/F + Plating line
TO-247	VS-40CPQ050PBF	VS-40CPQ050-N3		50mil L/F + Bare copper L/F + Plating line
TO-247	VS-40CPQ060PBF	VS-40CPQ060-N3		50mil L/F + Bare copper L/F + Plating line
TO-247	VS-40CPQ080PBF	VS-40CPQ080-N3		50mil L/F + Bare copper L/F + Plating line
TO-247	VS-40CPQ100PBF	VS-40CPQ100-N3		50mil L/F + Bare copper L/F + Plating line
TO-247	VS-40L40CW PBF	VS-40L40CW-N3		50mil L/F + Bare copper L/F + Plating line
TO-247	VS-40L45CW PBF	VS-40L45CW-N3		50mil L/F + Bare copper L/F + Plating line
TO-247	VS-52CPQ030PBF	VS-52CPQ030-N3		50mil L/F + Bare copper L/F + Plating line
TO-247	VS-63CPQ100PBF	VS-63CPQ100-N3		50mil L/F + Bare copper L/F + Plating line
TO-247	VS-72CPQ030PBF	VS-72CPQ030-N3		50mil L/F + Bare copper L/F + Plating line
TO-247	VS-80CPQ020PBF	VS-80CPQ020-N3		50mil L/F + Bare copper L/F + Plating line
TO-247	VS-95-4944PBF			50mil L/F + Bare copper L/F + Plating line
TO-247	VS-95-5155PBF			50mil L/F + Bare copper L/F + Plating line
TO-247	VS-95-5173PBF			50mil L/F + Bare copper L/F + Plating line
TO-247	VS-95-5189PBF			50mil L/F + Bare copper L/F + Plating line
TO-247	VS-95-5207PBF			50mil L/F + Bare copper L/F + Plating line
TO-247	VS-95-5270PBF			50mil L/F + Bare copper L/F + Plating line
TO-247	VS-95-5271PBF			50mil L/F + Bare copper L/F + Plating line
TO-247	VS-95-5381PBF			50mil L/F + Bare copper L/F + Plating line
TO-247	VS-95-9836PBF			50mil L/F + Bare copper L/F + Plating line
TO-247	VS-96-1084PBF			50mil L/F + Bare copper L/F + Plating line
TO-247	VS-MBR3035WTPBF	VS-MBR3035WT-N3		50mil L/F + Bare copper L/F + Plating line
TO-247	VS-MBR3045WTPBF	VS-MBR3045WT-N3		50mil L/F + Bare copper L/F + Plating line

Vishay Intertechnology, Inc.

Corporate Headquarters 63 Lincoln Highway, Malvern, PA 19355-2143 U.S.A. Phone (610) 644-1300 Fax (610) 296-0657 www.vishay.com

ONE OF THE WORLD'S LARGEST MANUFACTURERS OF DISCRETE SEMICONDUCTORS AND PASSIVE COMPONENT

PACKAGE	PRODUCT	HALOGEN FREE VERSION	PRODUCT AEC Q101	ASSEMBLY PROCESS/STRUCTURE AND LEAD FREE STATEMENT
TO-247	VS-MBR4045WTPBF	VS-MBR4045WT-N3		50mil L/F + Bare copper L/F + Plating line
TO-247	VS-MBR4060WTPBF	VS-MBR4060WT-N3		50mil L/F + Bare copper L/F + Plating line
TO-247	VS-MBR6045WTPBF	VS-MBR6045WT-N3		50mil L/F + Bare copper L/F + Plating line
TO-247	VS-S1629			50mil L/F + Bare copper L/F + Plating line
TO-247	VS-STPS30L60CWPBF	VS-STPS30L60CW-N3		50mil L/F + Bare copper L/F + Plating line
TO-247	VS-STPS40L40CWPBF	VS-STPS40L40CW-N3		50mil L/F + Bare copper L/F + Plating line
TO-247	VS-STPS40L45CWPBF	VS-STPS40L45CW-N3		50mil L/F + Bare copper L/F + Plating line

Additional part numbers released in DPAK , TO-220, TO-247, PowerTab and D²PAK packages after the effective date of this PCN will be covered by this announcement.

VISHAY BRAND(s): Vishay Semiconductors

TIME SCHEDULE: Effective from June 16th, 2014 Vishay will start to implement the above changes on new production

SAMPLE AVAILABILITY: On customer request

PRODUCT IDENTIFICATION: N/A

QUALIFICATION DATA: Qualification data is presented on page 15 of this PCN

This PCN is considered approved, without further notification, unless we receive specific customer concerns before May 30th, 2014 or as specified by contract.

ISSUED BY:

RS Chin, Vishay Diodes Product Marketing
e-mail: RS.Chin@vishay.com

For further information, please contact your regional Vishay office.

CONTACT INFORMATION:

The Americas

Vishay Semiconductors
150 Motor Parkway, Suite 101E
Hauppauge, NY11788 USA
Phone : 631 300 3816
Fax : 631 300 3843
Diodes-Americas@vishay.com

Europe

Vishay Semiconductors
Theresienstrasse 2
D-74072 Heilbronn, Germany
Phone: + 49 7131 67 3364 (3365)
Fax: + 49 7131 67 2807
Diodes-Europe@vishay.com

Asia

Vishay Semiconductors
15D, Sun Tong Infoport Plaza
55 Huai Hai West Road
Shanghai, Cina
Phone: + 86 138 1787 2112
Fax: + 86 21 5258 7979
Diodes-Asia@vishay.com

Vishay Intertechnology, Inc.

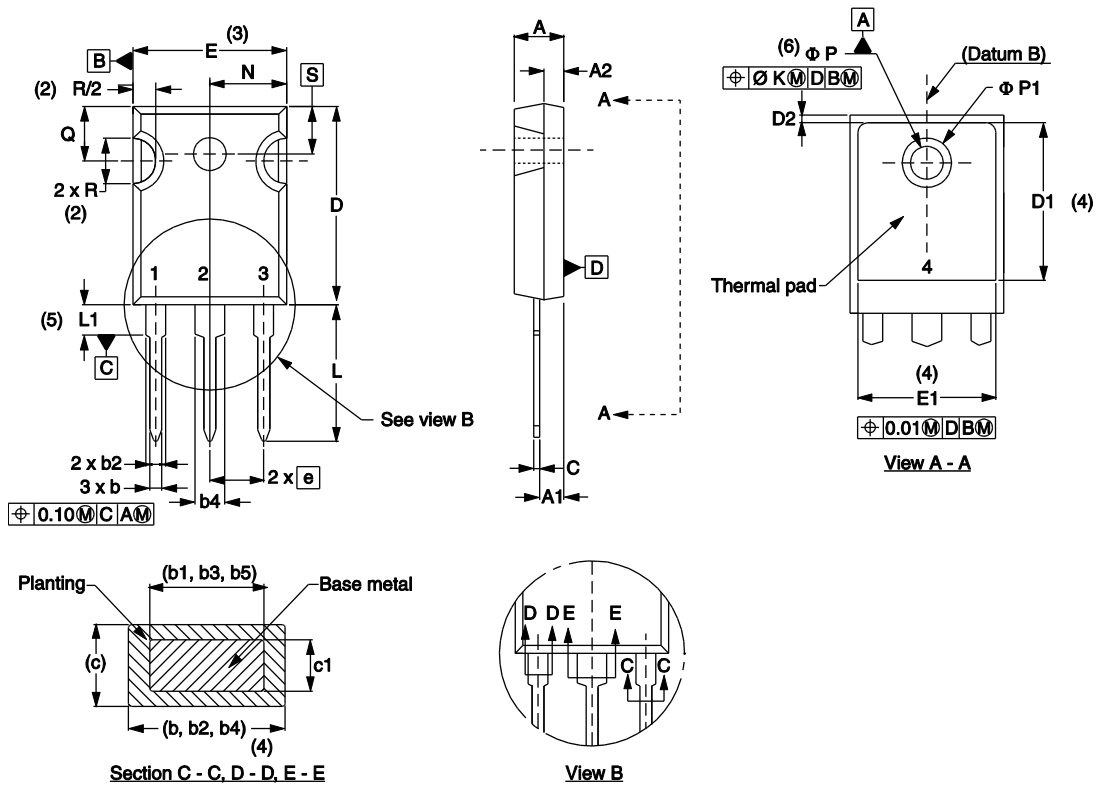
Corporate Headquarters 63 Lincoln Highway, Malvern, PA 19355-2143 U.S.A. Phone (610) 644-1300 Fax (610) 296-0657 www.vishay.com

ONE OF THE WORLD'S LARGEST MANUFACTURERS OF DISCRETE SEMICONDUCTORS AND PASSIVE COMPONENT

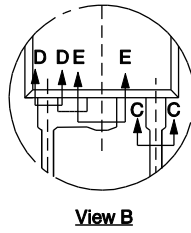
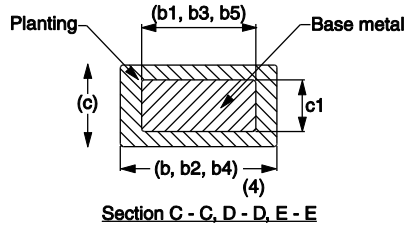
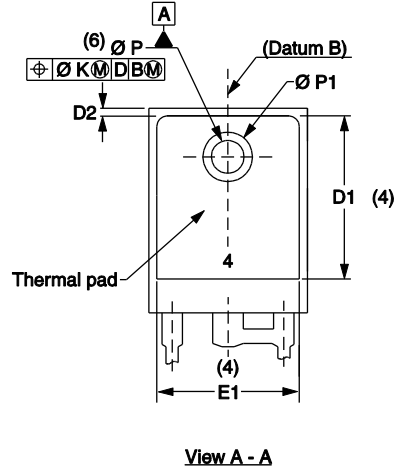
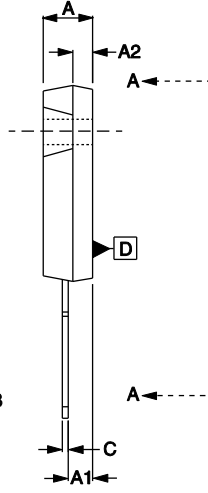
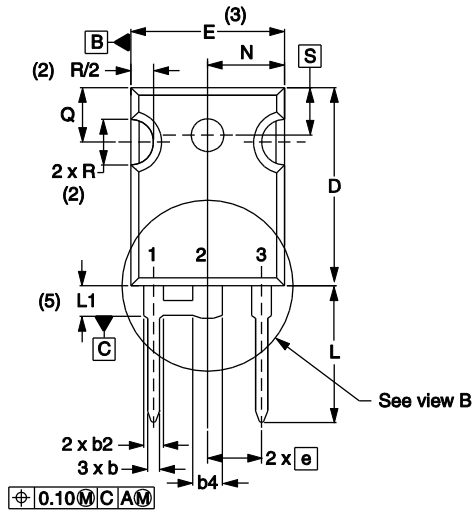
TO-247 Package Outline Dimension

	From [mm (inches)]		To [mm(inches)]	
	min	Max	min	Max
A2	1.50 (0.059)	2.49 (0.098)	1.17 (0.046)	1.37 (0.054)
b3	1.65 (0.065)	2.37 (0.094)	1.65 (0.065)	2.34 (0.092)
c	0.38 (0.015)	0.86 (0.034)	0.38 (0.015)	0.89 (0.035)
c1	0.38 (0.015)	0.76 (0.030)	0.38 (0.015)	0.84 (0.033)
D2	0.51 (0.020)	1.3 (0.051)	0.51 (0.020)	1.35 (0.053)
E1	13.72 (0.540)	-	13.46 (0.53)	
ΦK	2.54 (0.100)		0.254 (0.010)	
ΦP1	-	6.98 (0.275)	-	7.39 (0.291)

TO-247 AC



TO-247 Modified



SCHOTTKY PD-MO AND MO BARRIERS, 6 INCHES WAFERS

STRESS	CONDITIONS	TEST POINTS	SAMPLES	
HTRB	Tjmax @80% rated voltage 1000hrs	0 168 500 1000	231	0/231
TC	-55°C/150°C 1000 cycles	0 250 500 1000	317	0/317
UHASt	130°C 85%RH 96hrs	0 48 96	231	0/231
H3TRB	85°C 85%HR @80% Vr 1000hrs	0 168 500 1000	231	0/231
IOL	DT=100°C 1000Hrs	0 500 1000	258	0/258

TO-247 PLATING PROCESS CHANGE MANUFACTURING LINES

STRESS	CONDITIONS	TEST POINTS	SAMPLES	RESULTS
TC	-55°C/150°C 1000 cycles	0 250 500 1000	231	0/231
H3TRB	85°C 85%HR @80% rated voltage 1000hrs	0 168 500 1000	154	0/154
Solderability	As per JESD22 B-102	NA	30	0/30

TO-247 BARE COPPER LEAD FRAME QUALIFICATION

STRESS	CONDITIONS	TEST POINTS	SAMPLES	RESULTS
TC	-55°C/150°C 1000 cycles	0 250 500 1000	77	0/77
H3TRB	85°C 85%HR @100V 1000hrs	0 168 500 1000	77	0/77
IOL	DT=100°C 6000 cycles	0 3000 6000	77	0/77
Solderability	As per J-STD-002	NA	20	0/20