



[Maxim](#) > [Design Support](#) > [Technical Documents](#) > [Application Notes](#) > [Amplifier and Comparator Circuits](#) > APP 1862

[Maxim](#) > [Design Support](#) > [Technical Documents](#) > [Application Notes](#) > [Display Drivers](#) > APP 1862

[Maxim](#) > [Design Support](#) > [Technical Documents](#) > [Application Notes](#) > [Power-Supply Circuits](#) > APP 1862

Keywords: WLED, White LED, active ballast, current mirror, LED, boost, LED driver, transistor

## APPLICATION NOTE 1862

# Circuit Drives Mixed Types and Quantities of LEDs

Jan 24, 2003

*Abstract: This application note presents a technique that allows you to mix LED quantities and types, and requires just one power-supply voltage.*

A similar version of this article appeared in the October 3, 2002 issue of *EDN* magazine.

Portable systems often use LEDs of different colors—white for the display backlight, green for keypad illumination, red for power, etc., and in varying quantities of each. Typically the LEDs are driven by at least two power supplies, one for "standard" LEDs (red and green) and one for white LEDs (white LEDs require a higher forward voltage.) The keypad and other indicator LEDs each have current-limiting resistors.

The circuit in **Figure 1** drives the LED strings via transistors Q1-Q4, which operate as current mirrors. This technique offers the following advantages:

- eliminates the current-limiting resistors
- drives groups of dissimilar LEDs
- requires just one power supply voltage
- allows each string to operate at a different current
- and allows the brightness of all the LEDs to be adjusted with one control point (U1's ADJ pin).

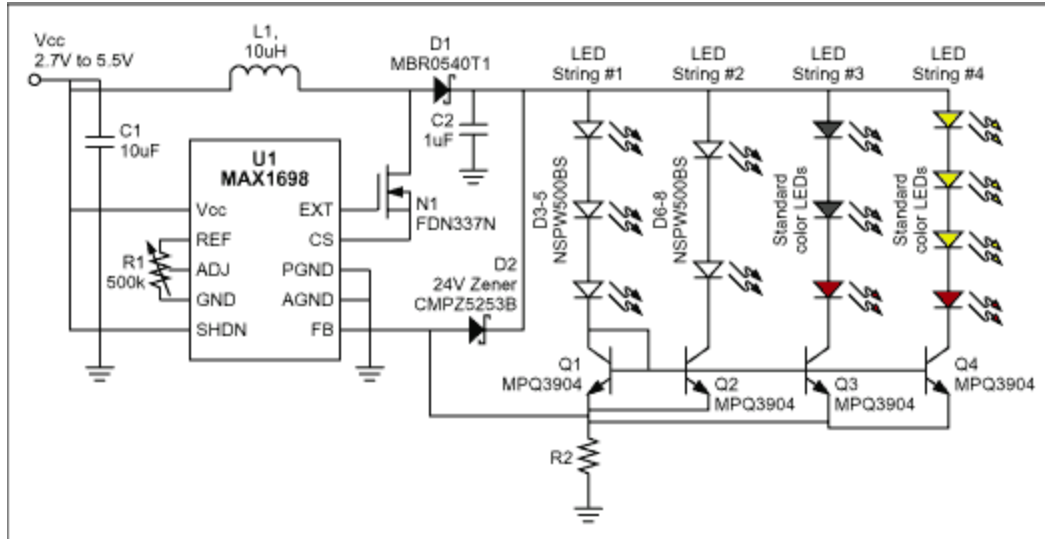


Figure 1. In this LED-drive circuit, a switching converter (U1) and associated components let you mix LED quantities and types.

Transistors Q2-Q4 mirror the current in diode-connected transistor Q1. Note that the Q1 current-set string (LEDs D3-D5) should have an equal or larger voltage than that of subsequent LED strings. (If it doesn't, the current-mirrored strings may not have enough voltage overhead to function properly.) You can easily meet that requirement in the first string, by placing either LEDs with larger forward voltage drops (such as the approximate 2.8V to 3.7V range of white LEDs), or a greater number of similar LEDs. Then, the subsequent strings with lower voltage burdens can be easily accommodated.

The matched-transistor current mirrors maintain a constant and equal current in all LEDs, regardless of quantity and type. That configuration allows the use of a single power supply and a single point for adjusting LED brightness.

Any power difference between the reference string and a mirrored string is dissipated in the current-mirror transistor for that string:  $P_{MAX}(\text{transistor}) = (V_{OUT} - 300\text{mV} - V_{LEDs}) \times I_{LEDMAX}$ . The current-sense resistor value is  $R2 = 300\text{mV}/I_{LEDMAX}$ , where  $I_{LEDMAX}$  is the sum of currents from all the strings. (For a comprehensive circuit and parts list, refer to Maxim's MAX1698EVKIT data sheet.)

When driving the same LEDs without the current mirror one can reduce power dissipation in the sense resistor and ballast resistors by substituting a micro-power op amp across the current-sense resistor (**Figure 2**). That circuit improves efficiency by reducing the resistor values and their associated loss. Gaining up the current-sense signal by approximately 16 allows an equivalent reduction in the value of R2 and the ballast resistors.

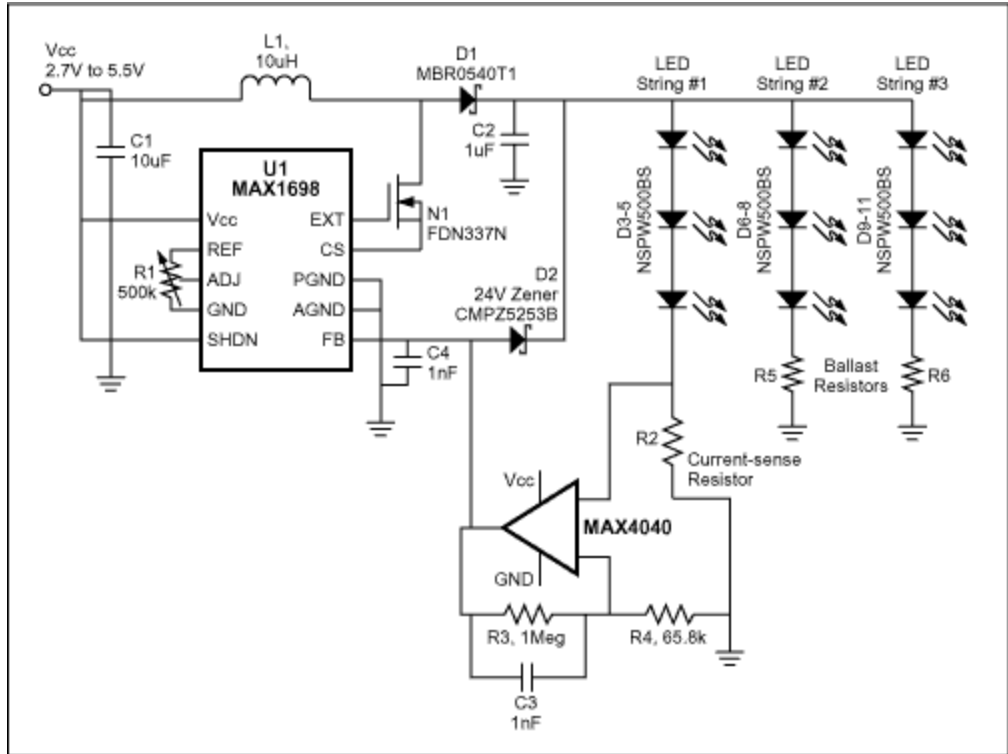


Figure 2. Modifying Figure 1 as shown reduces the overall power dissipation in a standard application.

A typical value for R2 is 15Ω, which represents a loss of 18mW (i.e., 20mA<sup>2</sup> × 15Ω for each of three resistors). If R2 = R5 = R6 = 0.931Ω, then the resistor power loss drops to 1.12mW. The op amp draws only 20μA maximum, which is a dissipation of 100μW.

Related Parts		
MAX1698	High-Efficiency Step-Up Current Regulator for LEDs	<a href="#">Free Samples</a>
MAX4040	Single/Dual/Quad, Low-Cost, SOT23, Micropower Rail-to-Rail I/O Op Amps	<a href="#">Free Samples</a>

**More Information**

For Technical Support: <http://www.maximintegrated.com/support>  
 For Samples: <http://www.maximintegrated.com/samples>  
 Other Questions and Comments: <http://www.maximintegrated.com/contact>

Application Note 1862: <http://www.maximintegrated.com/an1862>  
 APPLICATION NOTE 1862, AN1862, AN 1862, APP1862, Appnote1862, Appnote 1862  
 Copyright © by Maxim Integrated Products  
 Additional Legal Notices: <http://www.maximintegrated.com/legal>